

today



tomorrow

Argus sensor barriers:
The new formula for
integrative design.



Argus Sensor Barriers

The definition of elegance

Outstanding design

Argus sensor barriers define a new elegance: a closed shape for fluid movement. The modules are clearly designed with straight lines and geometrical corner radii. Thus, two slim structures form one symmetrical unit with glass doors that appear weightless. The XEA design language, typical of dormakaba, combines basic shapes, colours, surfaces and control elements in a uniform look. In this way, the contemporary monoblock design of Argus makes many variations possible – with seamlessly integrated technology.

Security

Argus lengths from 1200mm up to 1650mm achieves the maximum security level: The horizontal sensor strip is supplemented with a vertical sensor. In terms of aesthetics, Argus offers greater freedom of choice, with many material and colour combinations as well as ambient lighting.

Variable passage width

The barrier-free 900 mm passage for wheelchair users, groups or material transports can be reduced to a standard 650 mm by adjusting the door opening angle, if required.

Taller door leaf

For a greater level of security, doors with a 1,800 mm upper edge height can be used. With an optional extended drive column as an additional security barrier.

User-optimised scanner integration

The subtly concealed scanner defines the action area with nothing more than an illuminated icon. The prevalent RFID scanner formats can be fit-ted easily.

Smart emergency exit and escape route (optional)

The system's locking unit can be released in an emergency. The door leaves can be brought to open position.

Secure separation sensors

With Argus 60 & 80 units, an additional, vertical sensor strip is installed, which achieves better recognition of subsequent, unauthorized people and also detects entry from the wrong direction. Like-wise, the passage is thus limited to exactly one individual person even for people walking through with suitcases or for wheelchair users.



Individual customer solution

The shape of the
perfect function.
The design.



Argus sensor barriers define a new elegance: a closed shape for fluid movement. The modules are clearly designed with straight lines and geometrical corner radii. Thus, two slim structures form one symmetrical unit with glass doors that appear weightless.

The XEA design language, typical of dormakaba, combines basic shapes, colours, surfaces and control elements in a uniform look. In this way, the contemporary monoblock design of Argus makes many variations possible – with seamlessly integrated technology.



Full Cast Layer and Inlay

**Outstanding:
XEA design language.**

Products communicate with the users. Palpable, audible, visible. The wide-ranging demands need a design line. So, the XEA design is made up of defined basic shapes, functions, colours and surfaces, combined to create aesthetic user-friendliness.

10 factors count:

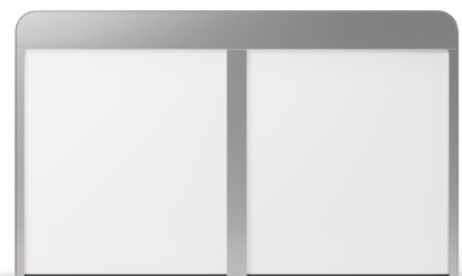
- » Recognisable details.
- » Intuitive symbols.
- » Standardised surfaces.
- » Clear forms.
- » User-friendly operation.
- » Contrasting surfaces.
- » Sturdy coating.
- » Multi-layer compositions.
- » Integrated signal lighting.
- » Personal design.

**Compact, complete, consistent:
Argus 40**

With a length of just 1,200 mm, Argus 40 is a high-quality sensor barrier that can be used even when space is limited. It impresses with its fine materials and functional basic equipment. It meets normal safety requirements without compromise.

Argus 60, Argus 80

Argus 60 at a length of 1,650 mm and Argus 80 at a length of 1,660 mm achieve the maximum security level: The horizontal sensor strip is supplemented with a vertical sensor. In terms of aesthetics, Argus 60 and 80 offer greater freedom of choice, with many material and colour combinations as well as ambient lighting. If you are looking to perfect the finish, choose Argus 80 with Full Cast Layer – a seamlessly wrought hand rail. One design from one piece.



Argus 80



Argus 40



Argus 60

Focused on people. The details.

People take centre stage. But with Argus, they don't stop and stand. The door leaves are there to create a barrier, but at the same time they exude transparent openness. The illumination appears friendly, the sensor control works immediately. A movement in noticeable solidity: a friendly welcome.

The modular structure creates freedom. Even when tall doors are required, the person passing through them doesn't perceive them as a forbidding barrier. The design remains subtle, even with maximum stability. The holistic design on the outside demonstrates the inner values: the sensors and mechanical system provide a real service permanently. A polite design.



01 Variable passage width

The barrier-free 915 mm passage for wheelchair users, groups or material transports can be reduced to a standard 650 mm by adjusting the door opening angle, if required.

02 Taller door leaf

For a greater level of security, doors with a 1,800 mm upper edge height can be used. With an optional extended drive column as an additional security barrier.

03 User-optimised scanner integration

The subtly concealed scanner defines the action area with nothing more than an illuminated icon. The prevalent RFID scanner formats can be fitted easily.

04 Discreet ambient lighting

With Argus 60 and 80, the pleasant light design adds a refined finish to the interlock and its surroundings. Optional green or red illuminated elements can be used to indicate operating states.

05 Smart emergency exit and escape route

The system's locking unit can be released in an emergency. The door leaves can be brought to the open position.

06 Secure separation sensors

The sensors in the Argus 40 are positioned efficiently in the leg area. With Argus 60 and 80, an additional, vertical sensor strip is installed, which achieves better recognition of subsequent, unauthorized people and also detects entry from the wrong direction. Likewise, the passage is thus limited to exactly one individual person even for people walking through with suitcases or for wheelchair users.

07 Efficient fixing type

The interlock is secured to the ground with dowels. Alternatively, it can be secured to a pre-installed substructure. When there is underfloor heating, the system can be bonded to the floor with an additional panel.



Individual customer solution

Variety as the universal design principle. The colours and materials.

All architecture has its challenges. Argus blends in holistically, because the design is modular in structure. This improves the room design as a whole: The interlock becomes an attractive part of the design and more: it becomes a design object in itself. This means it can take a central position with exactly the

right surface, in selected colours. Here, metal is combined with glass and coordinated surfaces, whether with clear or opaque glass, monochrome or with an emphasized contrast between the inlay and the panels on the sides. Argus works in all shades and sets a real highlight.



Glass Clear
G 800



Glass White
G 810



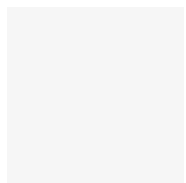
Glass Cafe Creme
G 835



Glass Light Grey
G 830



Glass Black
G 880



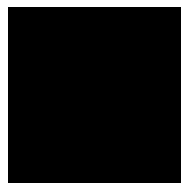
White
P 100



Cafe Creme
P 235



Anthracite
P 180



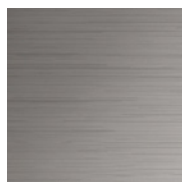
Black
P 190



Silver
N 600



Niro
N 700



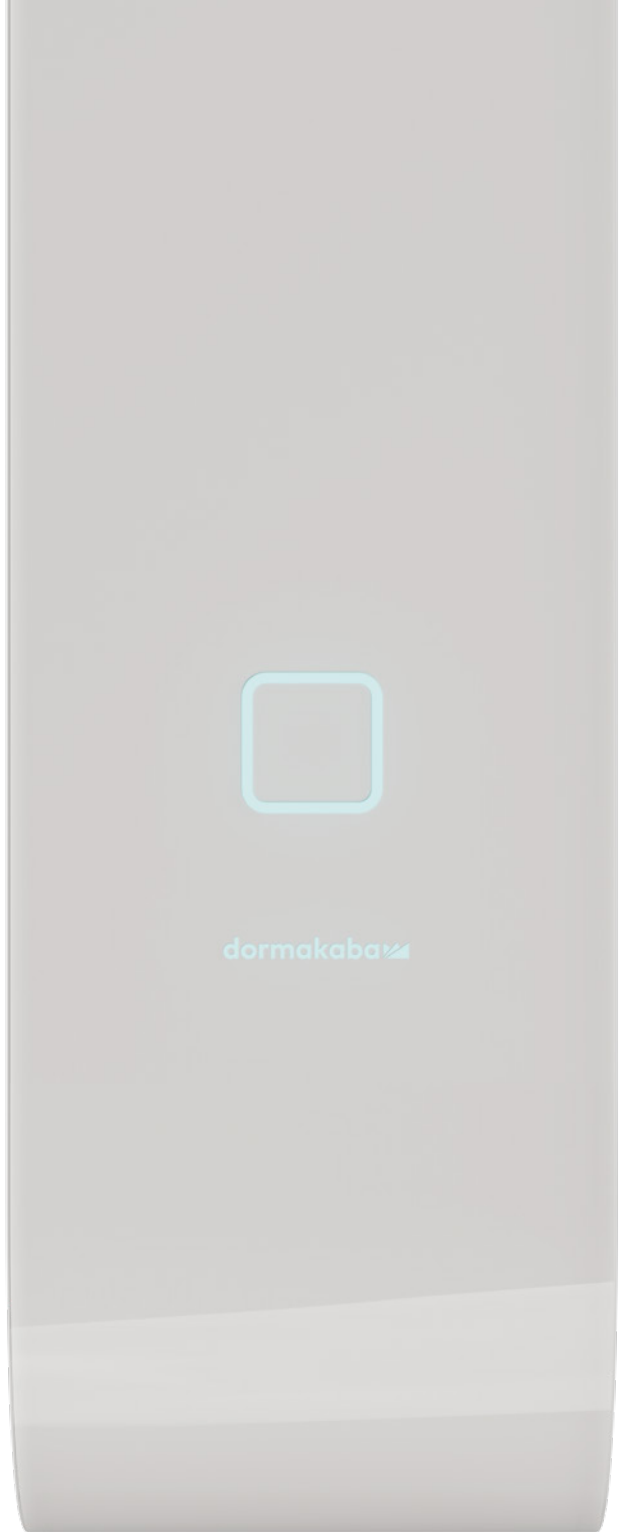
Niro
S 700

Matching the Corporate Design.

Every company presents itself in a colour code. Argus interlocks can become an integral part of the look, thanks to their use of accent colours. The interlock is perceived as a design element and not as a technical foreign body. The modularity also exhibits its strengths here: The inlay or Full Cast Layer, together with the side panels in a contrasting colour, jointly accentuate the entire interlock. The combination of functional and corporate colours creates an integrated object.

One design as if from one piece.

A scanner can be installed completely seamlessly, behind glass that protects it and leaves no traces of use even after thousands of entries. No construction effort is involved when installing the scanner. The maximum dimensions: 150 mm long, 90 mm wide and 30 mm deep. The typical dormakaba RFID Icon indicates the scanner position subtly and clearly in equal measure.



Adaptation as creative technology. Atmosphere and style.

An Argus sensor barrier creates a striking first impression when you enter a foyer. Together with the reception area, the barriers become a representative part of the building. The facade is the business card, but the sensor barrier delivers a message. The visitors' expectations decide: "How nicely will I be received?"

Argus is there for people and its modularity means it can be adapted to the needs of modern corporate cultures. In every extension version, an elegant object is created, which can be harmoniously combined with every room and its function. It isn't seen as a technical necessity. For the user, Argus is a part of the interior.



Individual customer solution



Individual customer solution



Individual customer solution

Achieve all targets. With no obstacles.

The world is diverse. And people are too. And that's exactly what the technology of security interlocks is there for. Argus has a variable design: and is functional also for those with restricted freedom of movement. dormakaba makes no compromises when it comes to user-friendliness. Argus ensures fluid movements, and creates openness and security. Passage widths and opening angles adapt to requirements, from material transport to complex body movement. The interlock

always responds sensitively. It's practically barrier-free. It helps Tobias Röhl, for example. He initiated **#moveforward**. He shows his enthusiastic followers that he has never allowed himself to feel constrained by his wheelchair. He works at dormakaba and contributes his knowledge and commitment. It's the interplay between mechanical elements, digital control and precision sensors that makes Argus the interlock that overcomes all barriers.



Passage width with variety.

Whether 1,000 mm, 900 mm or 915 mm (36 inches in the USA standard)

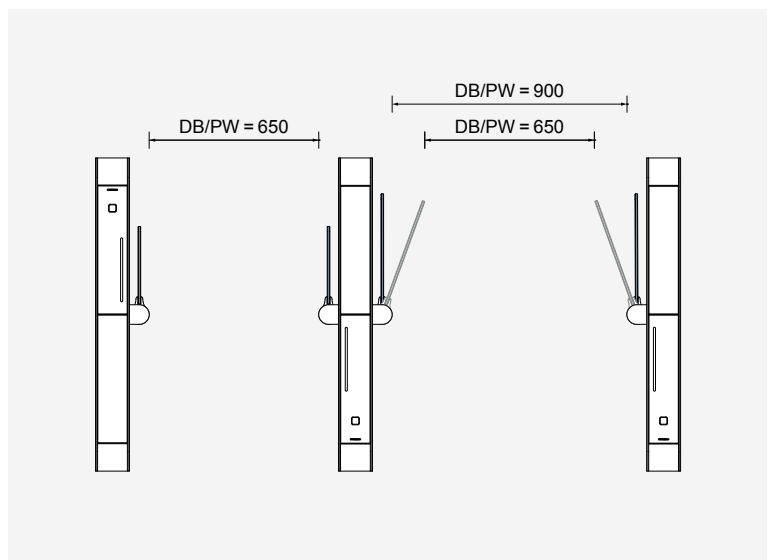
- » Extended passage width for every disability.
- » Optimal demand-based opening for material transport.
- » Constant sensor-based monitoring.



Individual customer solution

Demand-based opening for greater possibilities.

The extended passage widths for people with a disability, or even for material transports, are monitored by sensors. Consistently functional for security. Depending on the authorisation, the passage width can be varied by reducing the opening angle, e.g. reduced from 900 mm to 650 mm.



Emergencies pose no problems either. Safety, emergency exits and escape routes.

An intelligent interlock provides security in all directions and in all situations. Things don't always go to plan. But few people want to think about disasters. We, on the other hand, have spent time thinking about all eventualities during the development of Argus. So, in an

emergency, Argus can activate the mechanical system with the help of an optional module. The passage is used as an emergency exit and escape route, tested in accordance with EltVTR. Open doors for all.

01 Smart emergency unlocking

The system's locking device is released via the STV-ETS control unit. The door leaves become freely mobile and can be opened in an emergency or rescue situation. They remain in the open position. When the emergency exit and escape route function is activated, a signal is sent to the building technology.

Automatic confirmation

The control remains operational during an emergency and can even send a confirmation to a superordinate access control system. An authorised person can switch the system back to normal function using a key-switch.

02 Safe Route

The Saferoute Control Unit (SCU) on the system or near the system activates the emergency exit and escape route function, and the key-switch and emergency exit and escape route switches can be integrated. The SCU can also be actuated via the fire alarm system.

03 Helpful lighting

With the Argus 60 and 80 models, the integrated lighting can also be used to guide the way in an emergency situation. Ideal when there is thick smoke or in the dark. Beautiful everyday: The technology is elegantly integrated in the design.

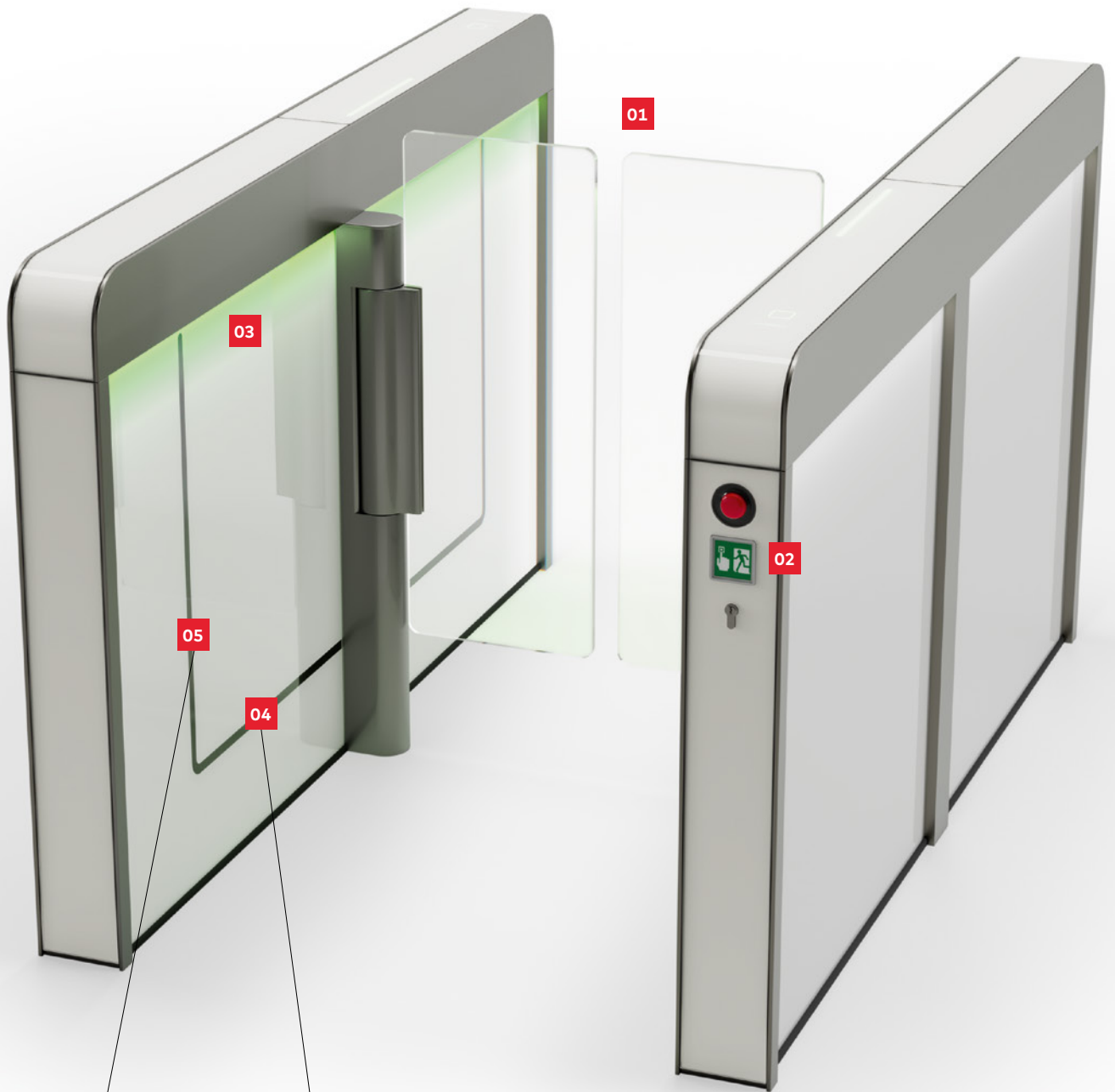
04 Separation sensors – simple security requirement

In everyday use, the horizontal sensor strip on the Argus 40 ensures that the door leaves move exactly before and after the person passes through and not while they are standing in the sensor area. A person following behind at a distance of more than 300 mm is detected as the next single person. An optional sensor at hip height optimises the separation process.

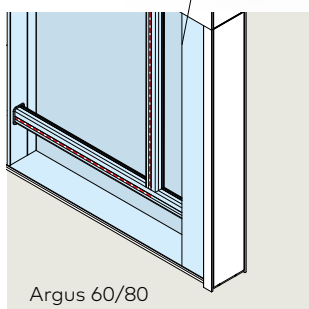
05 Separation sensors – increased security requirement

The L-shaped sensor strip on the Argus 60 and 80 controls optimised opening and closing movements thanks to the additional vertical sensor layout. The system recognises a subsequent, unauthorised person even at a distance of about 100 mm from the person in front. The passage is thus also limited to exactly one individual person for people passing through with suitcases or for wheelchair users. Passage from the wrong direction is also reliably detected.

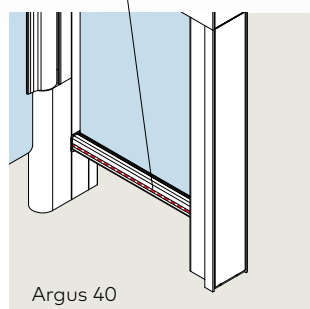




Individual customer solution



Argus 60/80



Argus 40

Argus Components



The **Profile** ensures the entire stability of the system and supports the components.

The **Inlay** covers the technology and shapes the interlock as a closed object.

The **Full Cast Layer** also conceals the profile to produce a seamless monoblock.



The **Door Leaves** convey transparent and frameless lightness.

The **Drive Unit** is integrated as a slim column in the overall system.

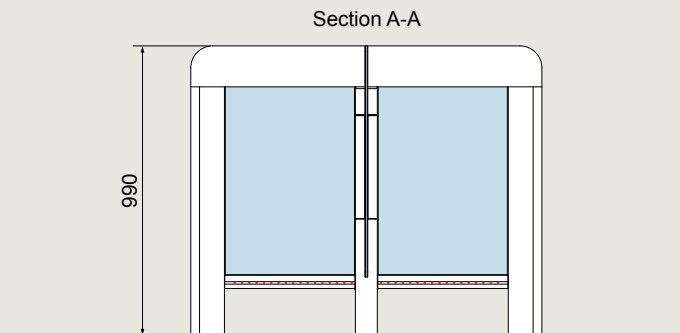
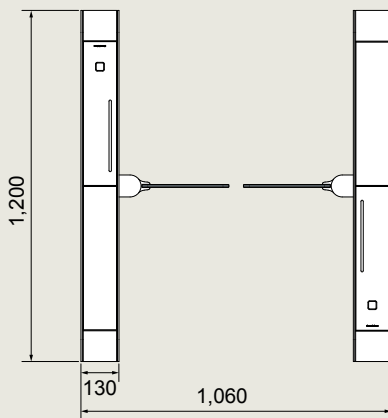
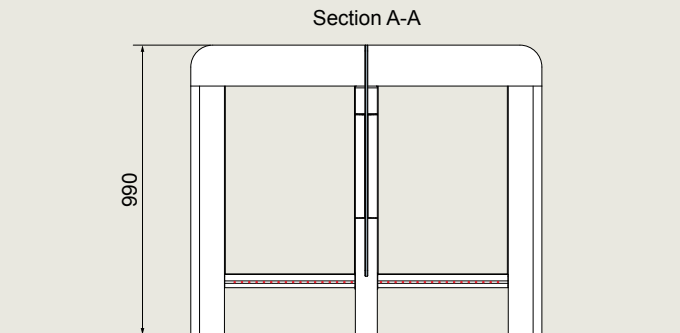
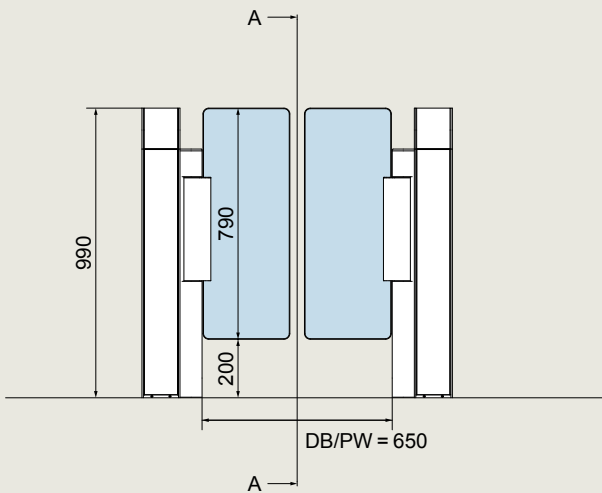
The **Panels** close off the frame body flush and set optional colour accents.

Argus 40

The compact model has everything that an elegant sensor barrier needs. With a length of just 1,200 mm, it is also suitable for installation situations where space is limited. Compared with the longer variants, the equipment is reduced yet offers the full functionality. Panels in the centre of the profile close the open body on request. If you are happy to do without a lighting strip on the hand rail and ambient lighting, you are not missing out on anything with this model. The entire technology is holistically secure. A complete sensor barrier with puristic aesthetics.



Argus 40 Standard Digital Silver
 Profile/Drive Unit: Silver N 600. Inlay: White P 100
 Scanner unit: Glass White G 810. Panel: Glass Clear G 800



Basic equipment

Argus 40

Construction	Interlock height	990 mm
	Interlock length	1,200 mm
	Passage width	650 mm
	Total width	1,060 mm
	Housing, base columns, guiding elements	Profile and inlay elements in the hand rail and in the front of the side panels are made of aluminium
	Blocking elements	Two door leaves made of transparent polycarbonate, upper edge 990 mm
	Sensors	Sensors in horizontal configuration in leg area
Finish	Surface combinations according to presetting or individual	
Function	Drives	Type 2.* Integrated in the swing tube. Safety level 0. Passage area monitored by simple sensors in the leg area. (Simple monitoring of the single passage in both directions, including detection of entry from opposite direction).
	Operation modes	Basic position closed "night-operation": The door leaves open in the direction of passage, once authorised, and then close again
Electric components	Control system and power supply integrated in the unit	
	Power supply	100 - 240 VAC, 50/60 Hz, 300 VA
	Standby power consumption	17 VA
	Standard adjustment in case of power failure	Door leaves move freely
Installation	Dowelled on finished floor level FFL. Not suitable for outdoor installation!	

*Type 2: power-assisted motion; two servo-positioning drives/electrically controlled in both directions.

Options

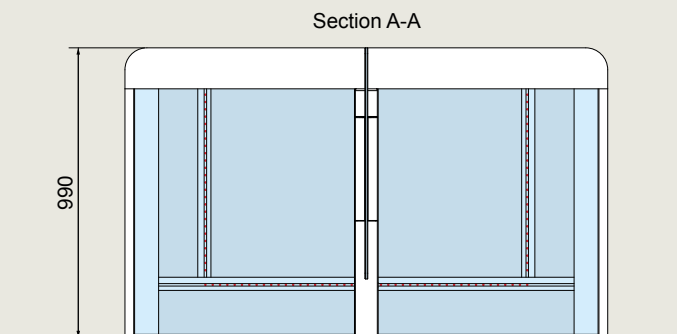
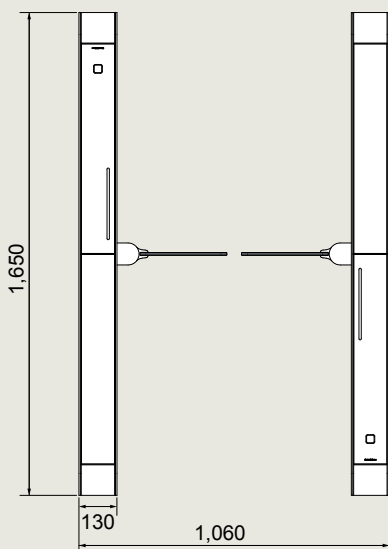
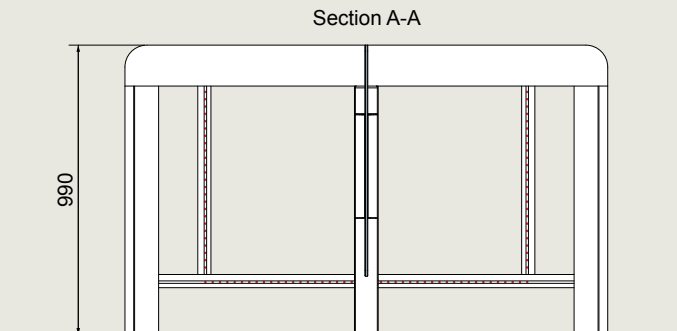
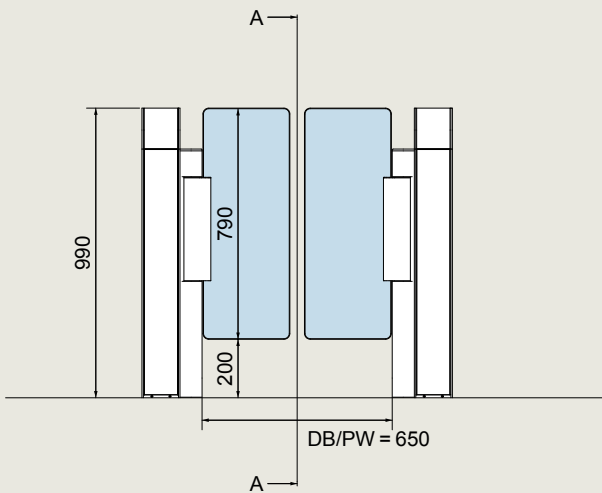
Version	Single system/Twin system/Triple system/Quadruple system/Multiple system
Sensor-controlled passage width monitored	Passage width 900 mm/915 mm (USA standard for the disabled). Extended passage width with reduced opening angle. Sprocket brake locks when pressed.
Door leaf increase with Drive unit 850 mm	Upper edge of door leaf: 1,200 mm in polycarbonate 10 mm/1,400 mm in ESG 10 mm/1,600 mm in ESG 10 mm/ 1,800 mm in ESG 10 mm
Drive unit increases to same upper edge as door leaf	Upper edge of door leaf: 1,200 mm in polycarbonate 10 mm/1,400 mm in polycarbonate 10 mm/ 1,600 mm in polycarbonate 10 mm/1,800 mm in polycarbonate 10 mm
Scanner installation	Flush-mounted socket in the hand rail for on-site installation/Universal, concealed scanner installation behind ESG 6 mm with RFID symbol L/W/H 150x90x30 mm/Preparation for a surface-mounted scanner attachment in the vertical surface, e.g. for wheelchair users (height 850 mm)
User guidance	Illuminated RFID icon in white, red and green
Use in emergency exits and escape routes	STV-ETS module for activation of emergency exits and escape routes: Door leaves are freely mobile/doors move to open position
Separation sensors	Separation sensor in hip area (Security Level 1.5)

Argus 60

The 1,650 mm long version of the sensor barrier offers more options than the Argus 40: Functionally, the security level is increased, as a vertical strip is installed as an add-on sensor in addition to the horizontal safety sensor strip. The height of the door leaves can be increased compared with the standard version. The light strip in the hand rail ensures pleasant orientation. Ambient lighting is integrated to improve aesthetics – the interlock becomes a real highlight in the foyer. The sides are each provided with two panels so that the entire system has the look of a monoblock design. This is contrasted with the highly transparent door leaves. Security with ease.



Argus 60 customer solution
 Profile/Drive Unit: Cafe Creme P 235. Inlay: Niro N 700
 Scanner unit: Glass Black G 880. Panel: Glass Cafe Creme G 835



Basic equipment

Argus 60

Construction	Interlock height	990 mm
	Interlock length	1,650 mm
	Passage width	650 mm
	Total width	1,060 mm
	Housing, base columns, guiding elements	Profile and inlay elements in the hand rail and in the front of the side panels are made of aluminium
	Blocking elements	Two door leaves made of transparent polycarbonate, upper edge 990 mm
	Sensors	The sensor system is integrated in the guiding elements both horizontally and vertically
Finish	Surface combinations according to presetting or individual	
Function	Drives	Type 2.* Integrated in the swing tube. Safety level 2. Passage area monitored by enhanced sensor system with an optimised installation length and arrangement (increased level of single passage monitoring in both directions, including detection of opposite direction).
	Operation modes	Basic position closed "night-operation": The door leaves open in the direction of passage, once authorised, and then close again
Electric components	Control system and power supply integrated in the unit	
	Power supply	100 - 240 VAC, 50/60 Hz, 300 VA
	Standby power consumption	17 VA
	Standard adjustment in case of power failure	Door leaves move freely
Installation	Dowelled on finished floor level FFL. Not suitable for outdoor installation!	

*Type 2: power-assisted motion; two servo-positioning drives/electrically controlled in both directions.

Options

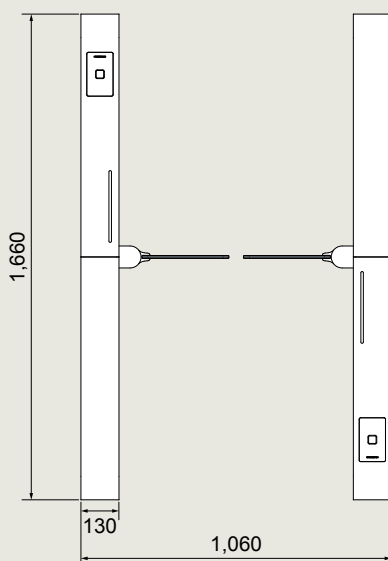
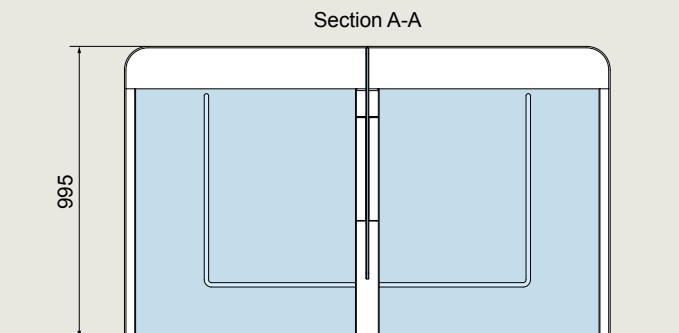
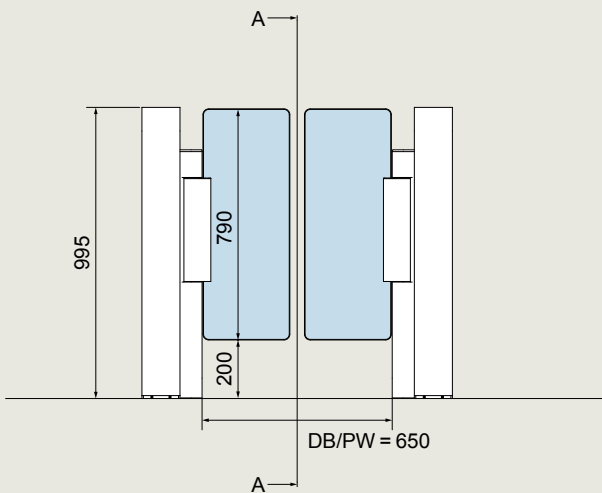
Version	Single system/Twin system/Triple system/Quadruple system/Multiple system
Sensor-controlled passage width monitored	Passage width 900 mm/915 mm (USA standard for the disabled)/1,000 mm. Extended passage width with reduced opening angle. Sprocket brake locks when pressed.
Passage width not monitored by sensors	Passage width greater than 1,000 mm to max. 1,600 mm/Passage width = 1,600 mm with max. upper edge 990 mm/Passage width = 1,400 mm with max. upper edge 1,200 mm/Passage width = 1,200 mm with max. upper edge 1,400 mm.
Door leaf increase with Drive unit 850 mm	Upper edge of door leaf: 1,200 mm in polycarbonate 10 mm/1,400 mm in ESG 10 mm/1,600 mm in ESG 10 mm/ 1,800 mm in ESG 10 mm
Drive unit increases to same upper edge as door leaf	Upper edge of door leaf: 1,200 mm in polycarbonate 10 mm/1,400 mm in polycarbonate 10 mm/ 1,600 mm in polycarbonate 10 mm/1,800 mm in polycarbonate 10 mm
Scanner installation	Flush-mounted socket in the hand rail for on-site installation/Universal, concealed scanner installation behind ESG 6 mm with RFID symbol L/W/H 150x90x30 mm/Preparation for a surface-mounted scanner attachment in the vertical surface, e.g. for wheelchair users (height 850 mm)
User guidance	Illuminated RFID icon in white, red and green/White-red-green running light integrated in the hand rail
Ambient lighting:	In the passage area LED white K4000/On the outside LED white K4000/ Additional red and green for status display
Use in emergency exits and escape routes	STV-ETS module for activation of emergency exits and escape routes: Door leaves are freely mobile/doors move to open position

Argus 80

A consistently high-quality design: The interlock has a particularly solid and refined look, as the upper section, with the front and rear vertical frame sections, is worked seamlessly in one piece – as a Full Cast Layer. The shimmering metal has the look of an “endless” hand rail. The Full Cast Layer makes the interlock just one centimetre longer. The equipment is just as varied as in the Argus 60 in terms of the security modules, the colour combinations, the running light, the ambient lighting and the door heights. Customisation is also possible: The side panels can also be produced in corporate colours.



Argus 80 customer solution
 Profile: Niro N700. Drive Unit: Light Grey P 130
 Full Cast Layer: Eloxal schwarz. Scanner unit: Glass Black G 880
 Panel: Glass Cafe Creme G 835



Basic equipment

Argus 80

Construction	Interlock height	995 mm
	Interlock length	1,660 mm
	Passage width	650 mm
	Total width	1,060 mm
	Housing, base columns, guiding elements	Profile with all-round cover in the hand rail and the front made of aluminium in the side section. Side covering of the sensors by printed discs in the respective colour tone defined in the presettings
	Blocking elements	Two door leaves made of transparent polycarbonate, upper edge 990 mm
	Sensors	The sensor system is integrated in the guiding elements both horizontally and vertically
Finish	Surface combinations according to presetting or individual	
Function	Drives	Type 2.* Integrated in the swing tube. Safety level 2. Passage area monitored by enhanced sensor system with an optimised installation length and arrangement (increased level of single passage monitoring in both directions, including detection of opposite direction).
	Operation modes	Basic position closed "night-operation": The door leaves open in the direction of passage, once authorised, and then close again
Electric components	Control system and power supply integrated in the unit	
	Power supply	100 - 240 VAC, 50/60 Hz, 300 VA
	Standby power consumption	System 17 VA, ambient lighting in passage area and outside 200 VA
	Standard adjustment in case of power failure	Door leaves move freely
Installation	Dowelled on finished floor level FFL. Not suitable for outdoor installation!	

*Type 2: power-assisted motion; two servo-positioning drives/electrically controlled in both directions.

Options

Version	Single system/Twin system/Triple system/Quadruple system/Multiple system	
Sensor-controlled passage width monitored	Passage width 900 mm/915 mm (USA standard for the disabled)/1,000 mm. Extended passage width with reduced opening angle. Sprocket brake locks when pressed.	
Passage width not monitored by sensors	Passage width greater than 1,000 mm to max. 1,600 mm/Passage width = 1,600 mm with max. upper edge 990 mm/Passage width = 1,400 mm with max. upper edge 1,200 mm/Passage width = 1,200 mm with max. upper edge 1,400 mm	
Door leaf increase with Drive unit 850 mm	Upper edge of door leaf: 1,200 mm in polycarbonate 10 mm/1,400 mm in ESG 10 mm/1,600 mm in ESG 10 mm/ 1,800 mm in ESG 10 mm	
Drive unit increases to same upper edge as door leaf	Upper edge of door leaf: 1,200 mm in polycarbonate 10 mm/1,400 mm in polycarbonate 10 mm/ 1,600 mm in polycarbonate 10 mm/1,800 mm in polycarbonate 10 mm	
Scanner installation	Flush-mounted socket in the hand rail for on-site installation/Universal, concealed scanner installation behind ESG 6 mm with RFID symbol L/W/H 150x90x30 mm/Preparation for a surface-mounted scanner attachment in the vertical surface, e.g. for wheelchair users (height 850 mm)	
User guidance	Illuminated RFID icon in white, red and green/White-red-green running light integrated in the hand rail	
Ambient lighting:	In the passage area LED white K4000/On the outside LED white K4000/ Additional red and green for status display	
Use in emergency exits and escape routes	STV-ETS module for activation of emergency exits and escape routes: Door leaves are freely mobile/doors move to open position	

Argus Color Index

Profile Argus 40/60/80



White
P 100

Cafe Creme
P 235

Anthracite
P 180

Black
P 190

Silver
N 600

Niro
N 700

Drive Unit Argus 40/60/80



White
P 100

Cafe Creme
P 235

Anthracite
P 180

Black
P 190

Silver
N 600

Niro
N 700

Inlay Argus 40/60. Full Cast Layer Argus 80.



White
P 100

Anthracite
P 180

Silver
N 600

Niro
N 700

Niro
S 700

Swing Door* Argus 40/60/80



polycarbonate Glass Clear
G 801

Glass Clear
G 800

*Depending on the upper edge of the door leaf and the length of the swing tube.

Panel Argus 40



Glass Clear
G 800

Panel Argus 60/80



Glass Clear
G 800

Glass White
G 810

Glass
Light Grey
G 830

Glass
Cafe Creme
G 835

Glass Black
G 880

Niro
S 700

Custom Argus 40/60/80

Individual RAL, Individual Inlay Material, Individual Door Print.

Argus configuration Standard

Nice and simple. The classical colour combinations are timeless and fit into any architecture.



Argus Standard **Digital Silver**

Profile	Silver N 600
Drive Unit	Silver N 600
Inlay	Argus 40/60: Silver N 600. Optional: White P 100.
Full Cast Layer	Argus 80: Silver N 600. Optional: White P 100.
Scanner unit	Glass White G 810
Swing Door*	polycarbonate Clear G 801 oder Glass Clear
Panel	G 800 Argus 40: optional Glass Clear G 800
	Argus 60: optional Glass Clear G 800
	Argus 80: Glass Clear G 800

Argus Standard **Corporate Satin**

Profile	Niro N 700
Drive Unit	Niro N 700
Inlay	Argus 40/60: Niro N 700. Optional: White P 100.
Full Cast Layer	Argus 80: Niro N 700. Optional: White P 100.
Scanner unit	Glass Black G 880
Swing Door*	polycarbonate Clear G 801 oder Glass Clear
Panel	G 800 Argus 40: optional Glass Clear G 800
	Argus 60: optional Glass White G 810
	Argus 80: Glass White G 810

Image: Argus 40 Standard Digital Silver
Profile/Drive Unit/Inlay: Silver N 600
Scanner unit: Glass White G 810. Panel: Glass Clear G 800

Image: Argus 80 Standard Corporate Satin
Profile/Drive Unit: Niro N 700. Full Cast Layer: White P 100
Scanner unit: Glass White G 810. Panel: Glass White G 810

*Depending on the upper edge of the door leaf and the length of the swing tube.

Argus configuration Collection

Contrasts create atmosphere. After all, the reception area is the first impression of the interior of the office building. The Collection configuration allows you to choose from finely graduated combinations of metal and glass.



Argus Collection **True White**

Profile	White P 100
Drive Unit	White P 100
Inlay	Argus 40/60: White P 100
Full Cast Layer	Argus 80: White P 100
Scanner unit	Glass White G 810
Swing Door*	polycarbonate Clear G 801 oder Glass Clear
Panel	G 800 Argus 40: optional Glass Clear G 800
	Argus 60: optional Glass Light Grey G 830
	Argus 80: Glass Light Grey G 830

Argus Collection **Deep Black**

Profile	Black P 190
Drive Unit	Black P 190
Inlay	Argus 40/60: Silver N 600
Full Cast Layer	Argus 80: Silver N 600
Scanner unit	Glass Black G 880
Swing Door*	polycarbonate Clear G 801 oder Glass Clear
Panel	G 800 Argus 40: optional Glass Clear G 800
	Argus 60: optional Glass Black G 880
	Argus 80: Glass Black G 880

Image: Argus 80 Collection True White
Profile/Drive Unit/Full Cast Layer: White P 100
Scanner unit: Glass White G 810. Panel: Glass Light Grey G 830

Image: Argus 60 Collection Deep Black
Profile/Drive Unit: Black P 190. Inlay: Silver N 600
Scanner unit: Glass Black G 880. Panel: Glass Black G 880.



Argus Collection **Vector Edge**

Profile	Silver N 600
Drive Unit	Silver N 600
Inlay	Argus 40/60: Anthracite P 180
Full Cast Layer	Argus 80: Anthracite P 180
Scanner unit	Glass Black G 880
Swing Door*	polycarbonate Clear G 801 oder Glass Clear G 800
Panel	Argus 40: optional Glass Clear G 800
	Argus 60: optional Glass Clear G 800
	Argus 80: Glass Clear G 800

Argus Collection **Core Steel**

Profile	Anthracite P 180
Drive Unit	Anthracite P 180
Inlay	Argus 40/60: Niro S 700
Full Cast Layer	Argus 80: Niro S 700
Scanner unit	Glass Black G 880
Swing Door*	polycarbonate Clear G 801 oder Glass Clear G 800
Panel	Argus 40: optional Glass Clear G 800
	Argus 60: optional Niro S 700
	Argus 80: Niro S 700

Image: Argus 60 Collection Vector Edge
Profile/Drive Unit: Silver N 600. Inlay: Anthracite P 180
Scanner unit: Glass Black G 880. Panel: Glass Clear G 800

Image: Argus 80 Collection Core Steel
Profile/Drive Unit: Anthracite P 180. Full Cast Layer: Niro S 700
Scanner unit: Glass Black G 880. Panel: Niro S 700.

*Depending on the upper edge of the door leaf and the length of the swing tube.

Argus configuration Collection

Contemporary interior design has rediscovered warm, natural colour tones. As an alternative to widespread grey, technical systems, Argus, in Cafe-Creme shades, can become a subtle unit that blends into its surroundings.



Argus Collection **Organic Sand**

Profile	Cafe Creme P 235
Drive Unit	Cafe Creme P 235
Inlay	Argus 40/60: Anthracite P 180
Full Cast Layer	Argus 80: Anthracite P 180
Scanner unit	Glass Black G 880
Swing Door*	polycarbonate Clear G 801 oder Glass Clear
Panel	G 800 Argus 40: optional Glass Clear G 800
	Argus 60: optional Glass Cafe Creme G 835
	Argus 80: Glass Cafe Creme G 835

Image: Argus 60 Collection Organic Sand
Profile/Drive Unit: Cafe Creme P 235. Inlay: Anthracite P 180
Scanner unit: Glass Black G 880. Panel: Glass Cafe Creme G 835

Argus configuration Custom

No two companies are the same. The uniqueness can also be reflected in the design of the Argus sensor barriers. The panels and even the door leaves can be modified to any matching colour. Transparent or opaque, with a striking corporate logo or colour ambient lighting, the perfect look for your entrance area.



Individual customer solutions



www.dormakaba.co.uk

Subject to change without notice



**Door
Hardware**



**Entrance
Systems**



**Electronic
Access & Data**



**Interior Glass
Systems**



**Mechanical
Key Systems**



Service

dormakaba
Wilbury Way
Hitchin
Herts
SG4 0AB
info.gb@dormakaba.com
www.dormakaba.co.uk