

8040 Entrance Pull Handles

dormakaba's entrance pull handles epitomize the high quality ambitions of the dormakaba brand – designed for excellence down to the very last detail and exuding fine craftsmanship.

They offer genuine quality, characterised by clearly defined features – irrespective of shape or size.

Created in solid, premium 316 Marine Grade Stainless Steel offering superior corrosion resistance for internal and external use in high traffic buildings.

The 8040 entrance pull handles are an ideal choice for residential and commercial applications and are suitable for use on glass, timber and aluminium doors.

Please refer to ordering details for a range of optional accessories to suit:

- Back to back extended fixing for timber doors
- Back to back fixing for glass doors
- Disc fixing for timber doors
- Disc fixing for glass doors

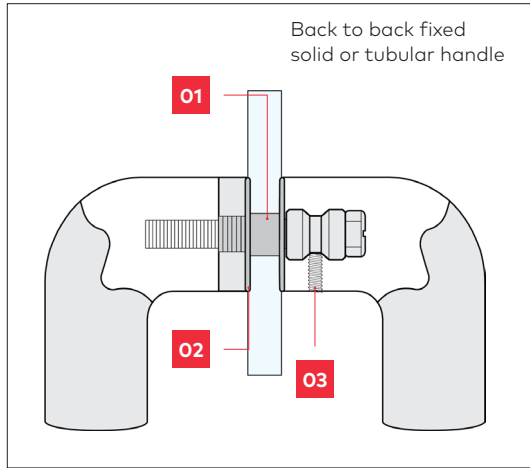
Features at a glance:

- 316 Marine Grade Stainless Steel
- Designed with your project's needs in mind
- High durability with concealed fixings
- Standard finishes: SSS and PSS
- Powdercoat and custom finishes available on request

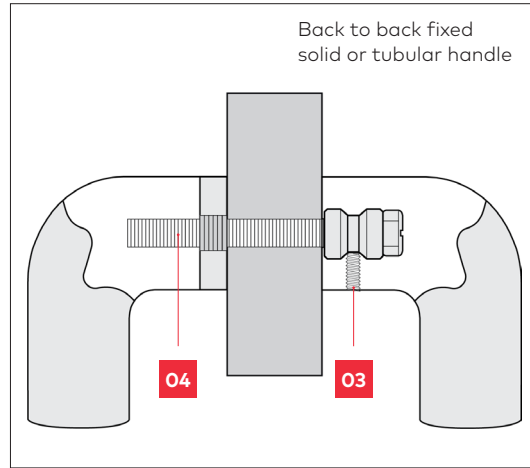
dormakaba Australia
Head Office
12-13 Dansu Court
Hallam VIC 3803
T: 1800 675 411
info.au@dormakaba.com
www.dormakaba.com.au

dormakaba New Zealand
Head Office
Building P, 61-69 Patiki Road
Avondale, Auckland 1026
T: 0800 436 762
info.nz@dormakaba.com
www.dormakaba.co.nz

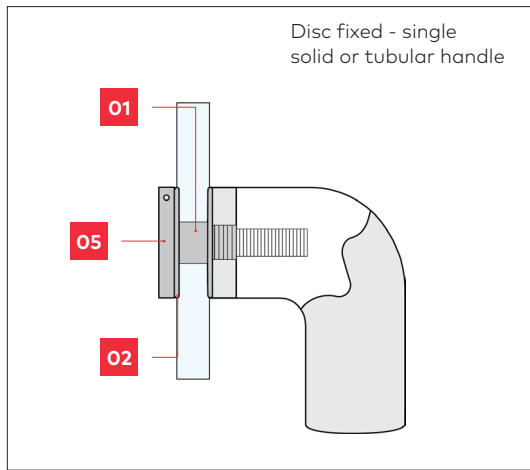
Fixing options



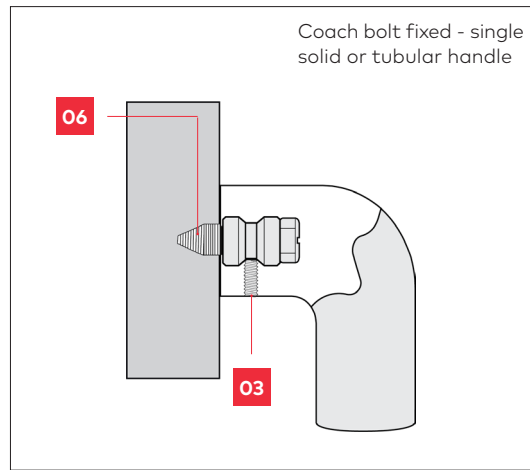
GD FIX - glass doors



TM FIX - timber or metal doors



D FIX - glass, metal or timber doors



C FIX - timber doors only

Note

Nylon spacers and washers are included with handle for glass door fixing option.

Legend

- 01** Spacer
- 02** Washer
- 03** Grub Screw
- 04** Bolt
- 05** Disc
- 06** Coach Bolt

TIMBER DOOR FIXING

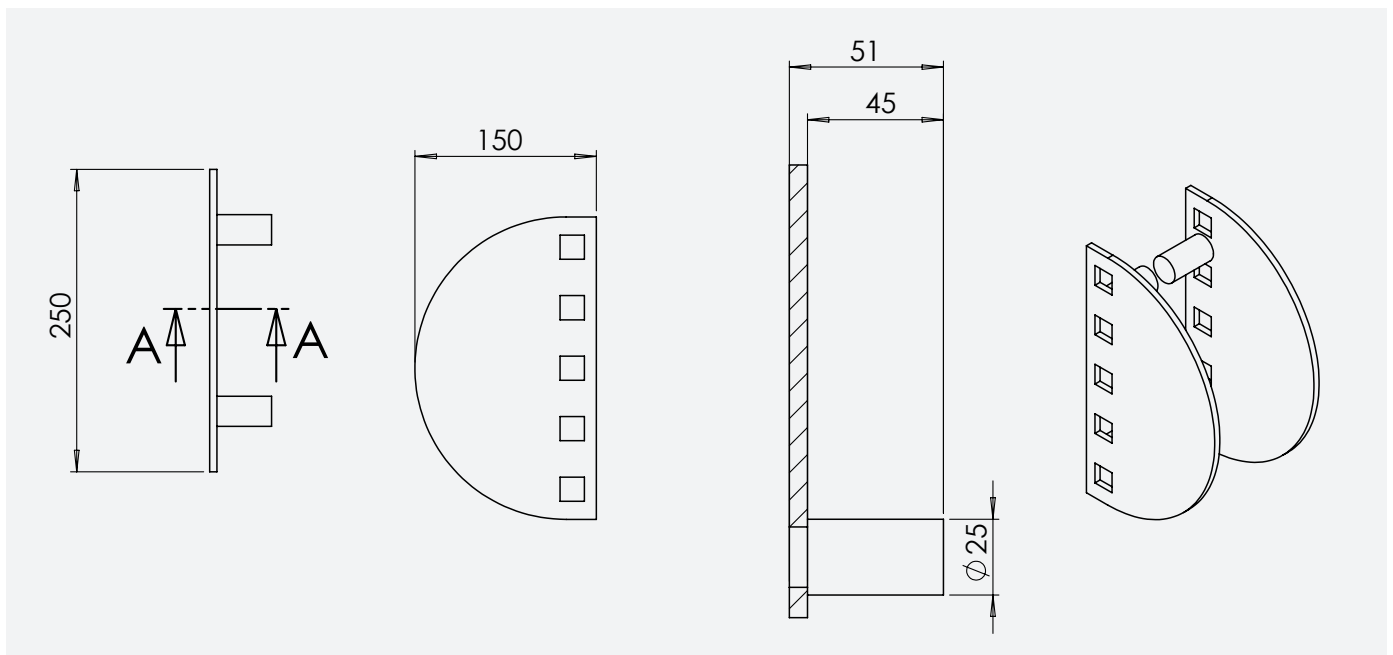
Material Size	Bolt Size
14mm Ø	5mm
16mm Ø	5mm
19mm Ø	8mm
25mm Ø	8mm
32mm Ø	8mm

METAL DOOR FIXING

Material Size	Bolt Size
14mm Ø	5mm
16mm Ø	5mm
19mm Ø	8mm
25mm Ø	8mm
32mm Ø	8mm

GLASS DOOR FIXING

Material Size	Bolt Size
14mm Ø	12mm Ø
16mm Ø	12mm Ø
19mm Ø	12mm Ø
25mm Ø	12mm Ø
32mm Ø	12mm Ø



Ordering details

Item	Article Number	Description	Projection	Width	Length	Flat Plate	Fixing Centres
BACK TO BACK FIXING							
B8040/150/6/PSS	9458041730102	B8040/150/6 OA 250 CTC 150 PSS	51mm	150mm	250mm	6mm	150mm
B8040/150/6/SSS	9458041730101	B8040/150/6 OA 250 CTC 150 SSS	51mm	150mm	250mm	6mm	150mm
ACCESSORIES - EXTENDED FIXINGS - sold as a pair							
TM/M8/50	9459508058200	M8/50 FERULE HEAD BOLT TM FIX	Note: When ordering extended fixings please use the below formula. Door thickness + 20mm for the Ferule + 10mm in to the other handle = round up to the nearest size offered.				
TM/M8/75	9459758078200	M8/75 FERULE HEAD BOLT TM FIX					
TM/M8/90	9400000012887	M8/90 BOLT & 16MM FERULE TM FIX					
TM/M8/100	9400000012888	M8/100 BOLT & 16MM FERULE TM FIX					
TM/M8/110	9459118118200	M8/110 BOLT & 16MM FERULE TM FIX					
TM/M8/120	9459128128200	M8/120 BOLT & 16MM FERULE TM FIX					
TM/M8/130	9459138138200	M8/130 BOLT & 16MM FERULE TM FIX					
TM/M8/150	9459158158200	M8/150 BOLT & 16MM FERULE TM FIX					
ACCESSORIES - GLASS FIXINGS - sold as a pair							
GF25/M8/50 RND	9459502588301	25 DIA RND GLASS FIXING PAIRS					
CONCEALED FIXING							
C8040/150/6/PSS	9458041730202	C8040/150/6 OA 250 CTC 150 PSS	51mm	150mm	250mm	6mm	150mm
C8040/150/6/SSS	9458041730201	C8040/150/6 OA 250 CTC 150 SSS	51mm	150mm	250mm	6mm	150mm
DISC FIXING							
D8040/150/6/PSS	9458041730302	D8040/150/6 OA 250 CTC 150 PSS	51mm	150mm	250mm	6mm	150mm
D8040/150/6/SSS	9458041730301	D8040/150/6 OA 250 CTC 150 SSS	51mm	150mm	250mm	6mm	150mm
ACCESSORIES - EXTENDED FIXINGS - sold as a pair							
DF25/M8/75 PSS	9459752588102	25MM DISK FIX PAIR M8X75MM PSS					
DF25/M8/75 SSS	9400000014108	25MM DISK FIX PAIR M8X75MM SSS					
ACCESSORIES - GLASS FIXINGS - sold as a pair							
GDF25/M8/50 PSS	9459502588102	25MM GLASS DISK FIX PSS PAIR M8X50MM					
GDF25/M8/50 SSS	9459502588101	25MM GLASS DISK FIX SSS PAIR M8X50MM					