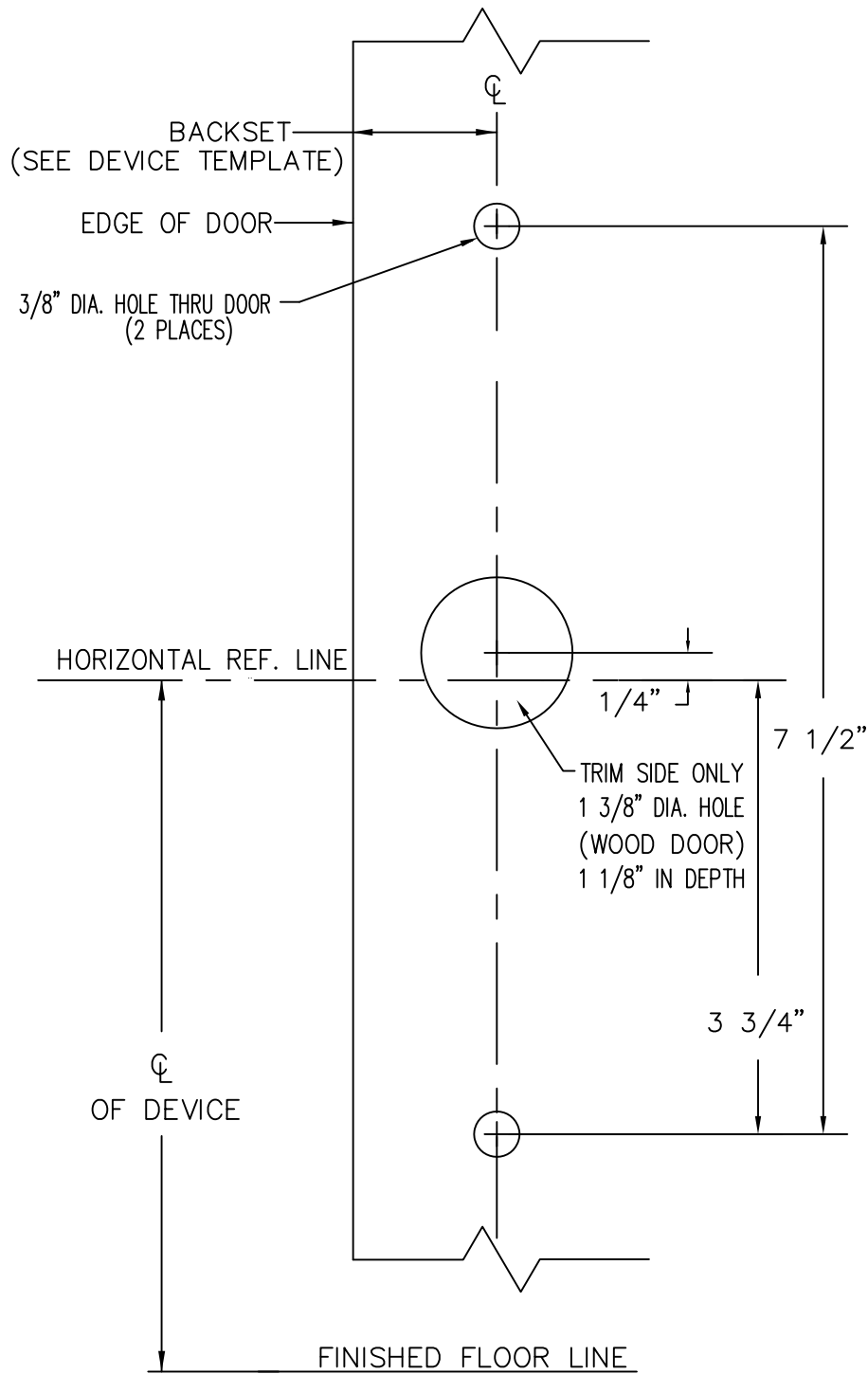



RHR SHOWN
LHR OPPOSITE



NOTES:

1. SEE MASTER SHEET #T-0001 FOR SUGGESTED DOOR REINFORCEMENT.

REV. No. 1	REVISION: Lever Design Notes	DATE: 1-22-2014
	<p>Z003, ZP03, Z*03R TRIMS</p> <p>Note; * Denotes all Lever Design Styles</p>	<p>TEMPLATE NUMBER T-9032①</p>