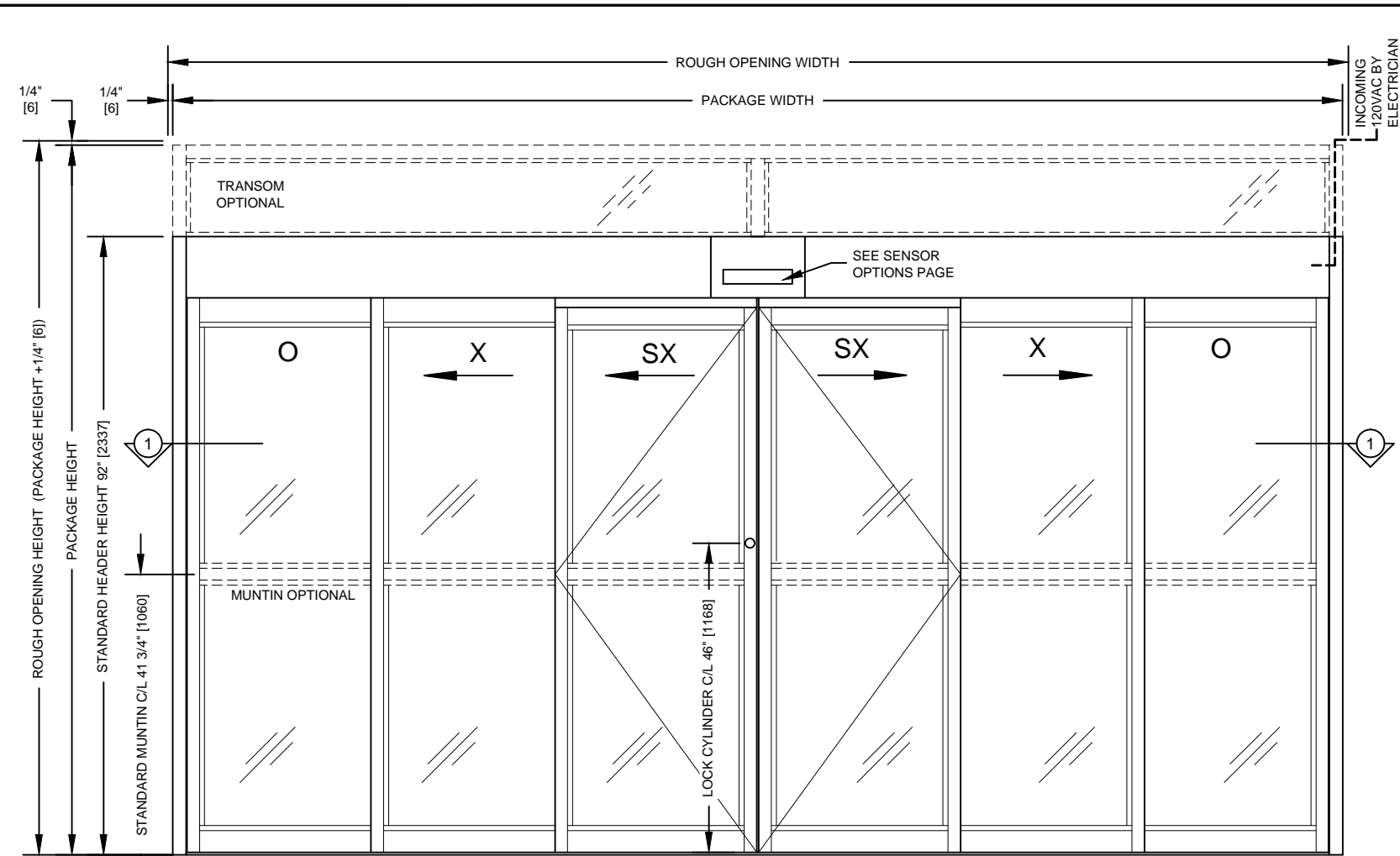
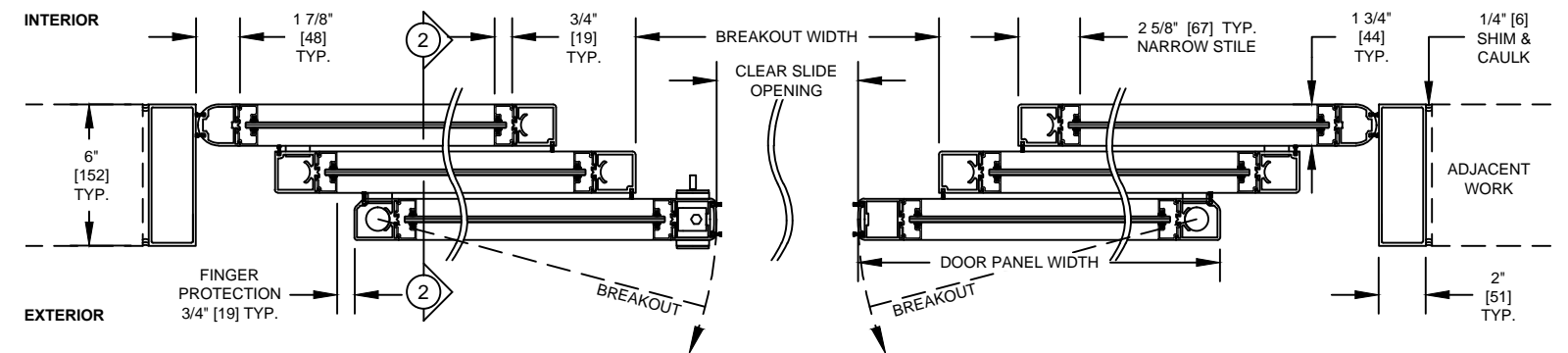


**SECTION 2**  
TYPE: O-X-SX-SX-X-O



**EXTERIOR ELEVATION**  
TYPE: O-X-SX-SX-X-O



**SECTION 1**  
TYPE: O-X-SX-SX-X-O

DOOR SHOWN IN OPEN POSITION WITHOUT THRESHOLD

Package Width	Rough Opening Width	Clear Slide Opening	Door Panel Width	Breakout Width
(13'-0") 156" [3962]	156 1/2" [3975]	84" [2134]	27 1/16" [687]	91" [2311]
(14'-0") 168" [4267]	168 1/2" [4280]	92" [2337]	29 1/16" [738]	99" [2515]
(16'-0") 192" [4877]	192 1/2" [4890]	108" [2743]	33 1/16" [840]	115" [2921]
(18'-0") 216" [5486]	216 1/2" [5499]	124" [3150]	37 1/16" [941]	131" [3327]
Width Formulas	Package Width + 1/2" [13]	(Package Width x 2/3) - 20" [508]	(Package Width / 6) + 1 1/16" [27]	(Package Width x 2/3) - 13" [330]

- This Bi-part Telescopic door package consists of:
  - Operator:
    - Two combination motion/presence sensors (one on each side) (See sensor options page).
    - ESA II motor drive unit with self-learning and self-monitoring microprocessor controller.
    - Jamb mounted 5 function rocker switch panel (see mode switch options page).
  - Panels:
    - 2 5/8" [67] Narrow stile door panels (including 3/4" [19] wide glass stop).
    - 3-1/4" [83] Optional muntin mounted at 41-3/4" [1060] centerline on all panels (including 3/4" [19] wide glass stop).
    - 4" [102] Bottom rails (including 3/4" [19] wide glass stop).
    - 2" [51] x 6" [152] Smooth jambs.
    - Vertical and horizontal brush type weather stripping (AAMA-701-11 Class A).
    - Manual two point mortise lock with thumb turn and key cylinder.
    - 3/4" [19] wide snap-in glass stops for glazing from 1/4" [6] to 1 1/4" [32] thick at 1/8" [3] increments.
    - ITS Hydraulic self-closer in SX panels.
    - Breakaway sliding door panels (SX), non-breakaway sliding door panels (X) and fixed sidelights (O) panels.
  - Finishes:
    - Clear anodized (BHMA 204).
    - Dark Bronze anodized (BHMA 313).
- Optional Transom:
  - Single vertical 2" [51] x 6" [152] smooth mullion (Standard). Multiple verticals available.
  - Glass thickness options 1/4" [6] thru 1-1/4" [32] at 1/8" [3] increments.
  - Snap-in sash on all sides.
- Typical Package Options:
  - Finishes: special anodized, PVDF (wet) paint, powder coat, and cladding available for header, panels and jambs.
  - Muntins: multiple muntins, various heights and locations.
  - Bottom Rails: 7" [178], 10" [254]. Other options available.
  - Santoprene rubber weather stripping available.
  - Locking and Security Options:
    - Bi-stable autolock sliding carrier lock concealed in header.
    - 3-point lock and reinforced strike.
    - Security contacts.
    - Keyed mode switch panel (5 function or 3 function) (see mode switch options page).
    - Recessed exit device in 5 1/2" [140] in SX muntin.
- Dimensions:
  - Drawing dimensions are in English & Metric units. Metric units are displayed as: 1" [25] millimeters.
  - Typical package dimensions: (Glass thickness may be limited by panel size)
    - Each door package is manufactured to your custom size requirements.
    - Package Width: Min. 13' [3962] to Max. 16' [4877].
    - Header Height: Min. 7'-5 1/8" Max. 10' [2234].
    - Package Height: Max. 12' [3658] with Transom.
    - SX Panel Weight: Max. Weight 200 lbs [90kg].
  - Maximum special application limits: (Sizes may be restricted due to complexity and application) (Please contact Dorma Architectural Services for dimensions outside of typical sizes above).
    - Package Width: Min. 13' [3962] to Max. 21' [6401].
    - Package Height: Max. 16' [4877].
    - Header Height: Max. 12' [3658].
    - Transom Height: Min. 8" [203] to Max. 4' [1220].
    - SX Panel Width: Max. Width 56" [1422].
    - SX Panel Size Limit = (SX Panel Width x Weight) < 800 ft-lbs [1084 N-m] Max.
- Power Requirements:
  - 120V +/- 10%, 50/60 Hz, 6.6A peak, 250 W. Up to 4 operators on a single 20A breaker. Service to header by electrician.
- Standards of Compliance:
  - UL 325 & CSA 22.2 (listed with ETL).
  - Designed to comply with these standards depending on installation and application:
    - International Building Code (Section 1008).
    - ANSI/ BHMA 156.10.
    - NFPA 101 Life Safety Code (Section 7.2.1.9).
  - Refer to Local, State, National or AHJ. Building Code for minimum door height and minimum/maximum width allowable for egress requirements.
- Contact Dorma Architectural Services for more information:
  - Email: Autosupport@dorma-usa.com
  - Phone: 1(844)773-2669