

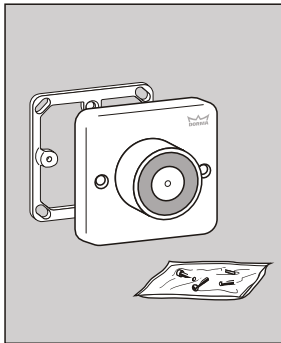
WN 054371 45532
09/04
1/4






EM 500 G 24 V AC/DC
Z-6.5 xxxx

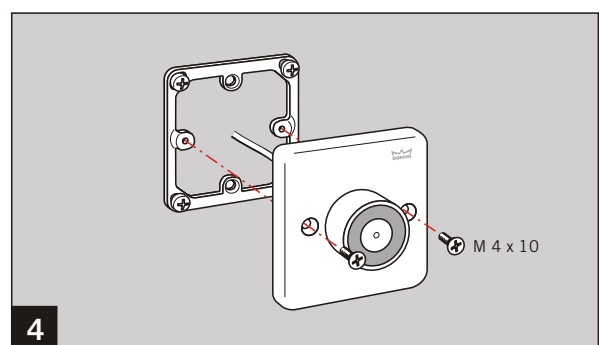
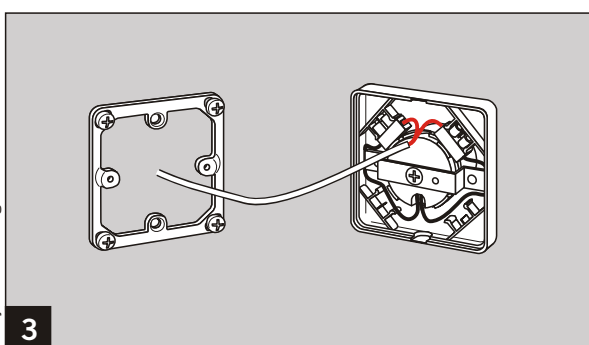
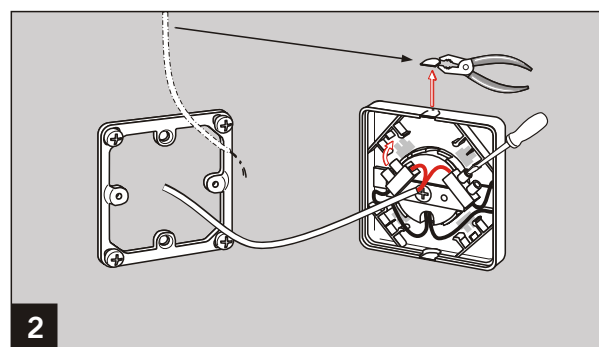
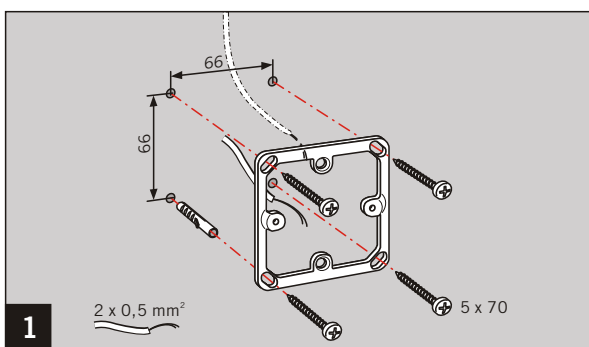
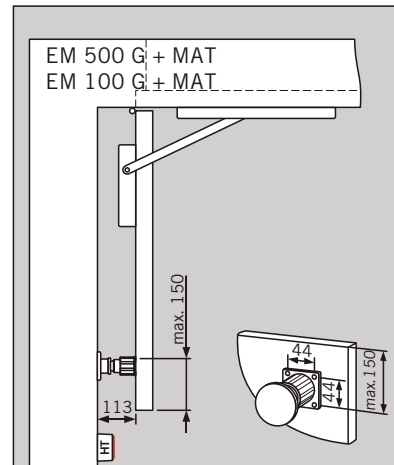
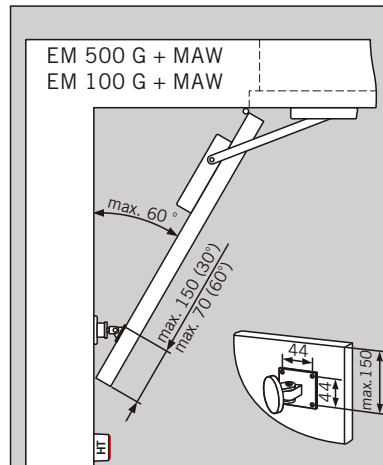
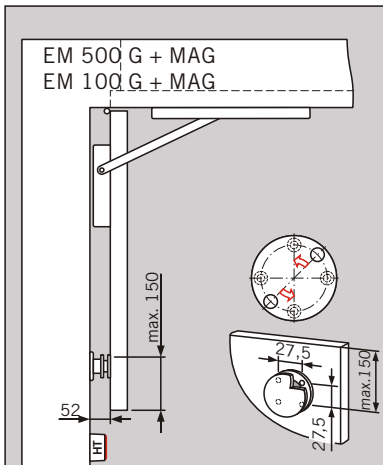
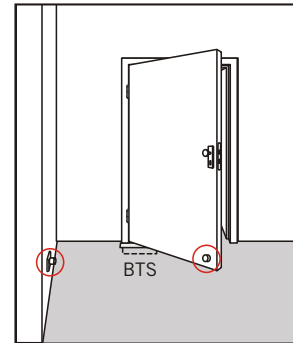
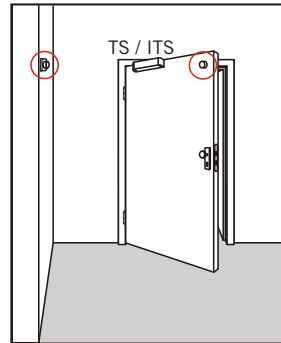
EM 100 G 24 V AC/DC

CE	DORMA GmbH + Co. KG Postfach 4009 58 247 Ennepetal		04				
	0432 - BPR-0057	EN 1155:1997+A1:2002	3	5	3	1	1
Dangerous substances: None							

EM 500 G 48 V AC/DC



-  **MAG**
Art.Nr. 69020110
-  **MAW**
Art.Nr. 69020111
-  **MAT**
Art.Nr. 69020112
-  **HT-UP**
Art.Nr. 35901531
-  **HT-AP**
Art.Nr. 35901532



Änderungen vorbehalten
Subject to change without notice

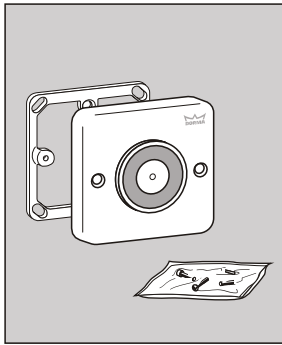
WN 054371 45532
09/04
2/4






EM 500 U 24 V AC/DC
Z-6.5 xxxx

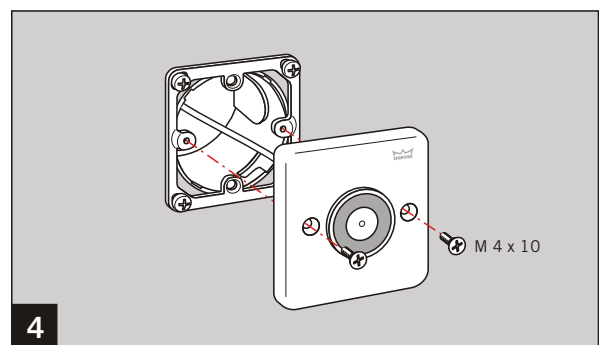
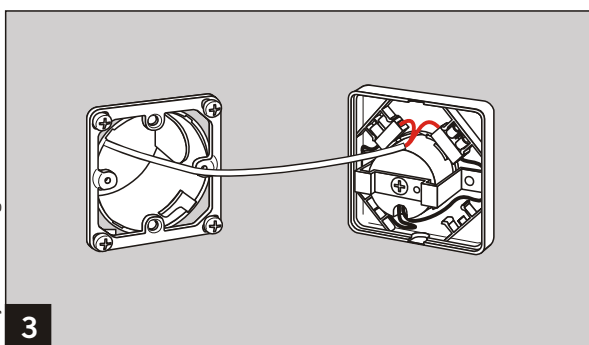
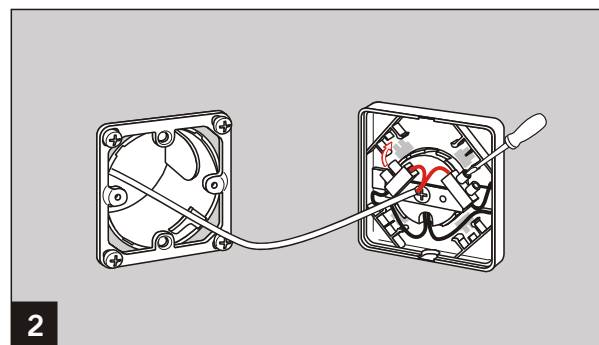
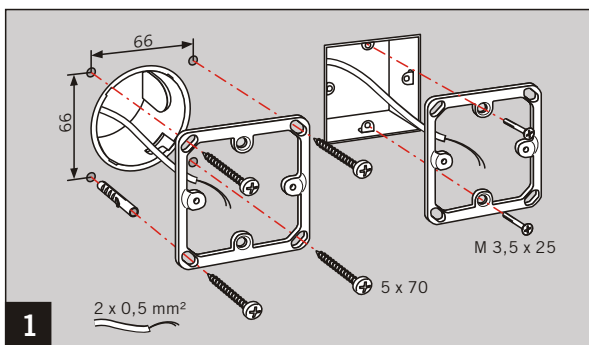
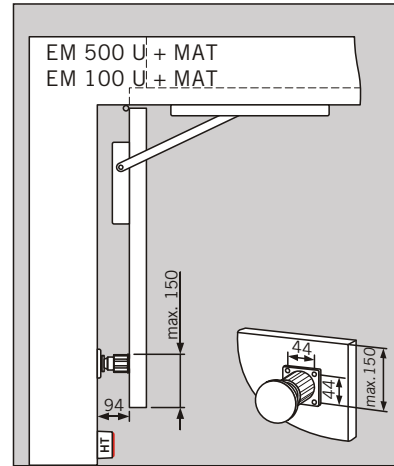
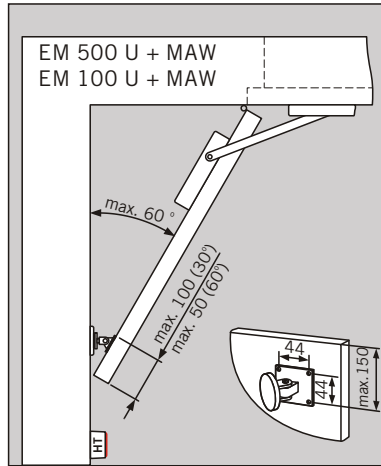
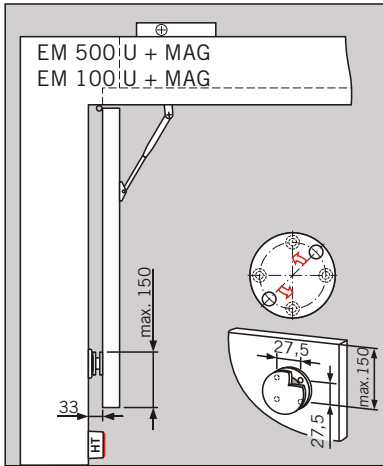
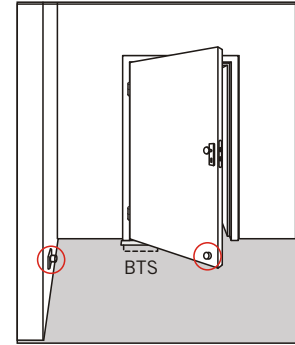
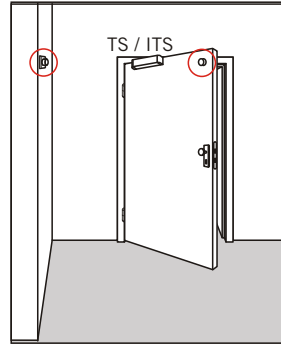
EM 100 U 24 V AC/DC

CE	DORMA GmbH + Co. KG Postfach 4009 58 247 Ennepetal		04			
	0432 - BPR-0057	EN 1155:1997+A1:2002	3	5	3 7	1 1 0
Dangerous substances: None						

EM 500 U 48 V AC/DC



-  **MAG**
Art.Nr. 69020110
-  **MAW**
Art.Nr. 69020111
-  **MAT**
Art.Nr. 69020112
-  **HT-UP**
Art.Nr. 35901531
-  **HT-AP**
Art.Nr. 35901532



Änderungen vorbehalten
Subject to change without notice

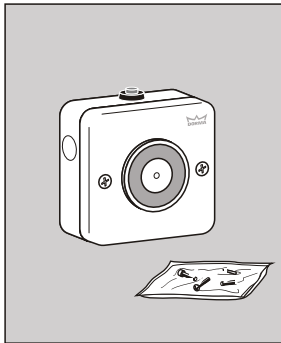
WN 054371 45532
09/04
3/4






EM 500 A 24 V AC/DC
Z-6.5 xxxx

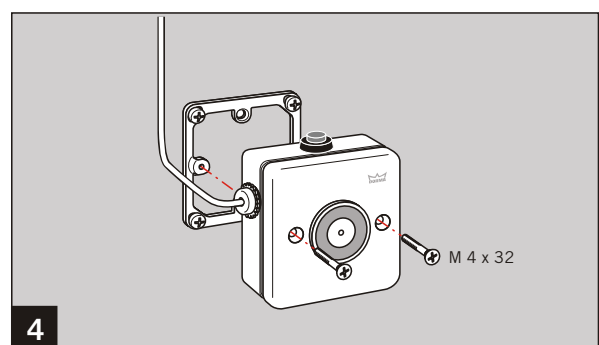
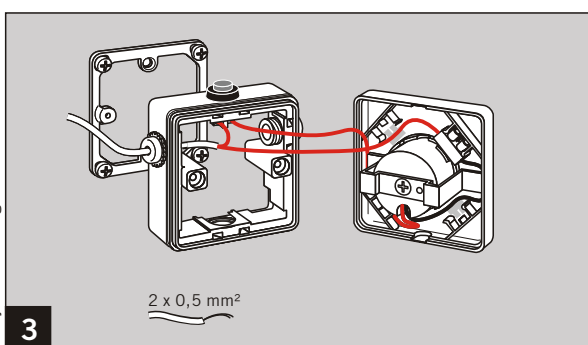
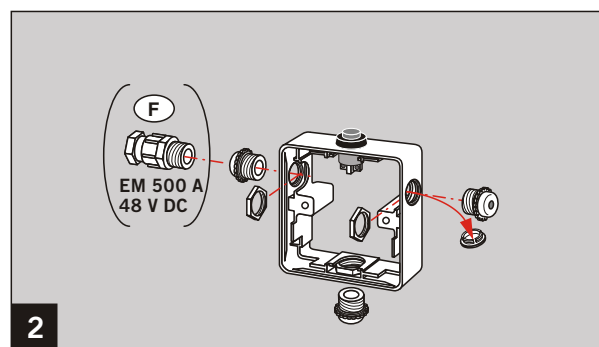
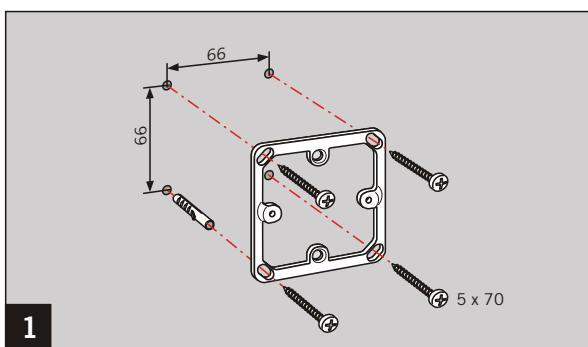
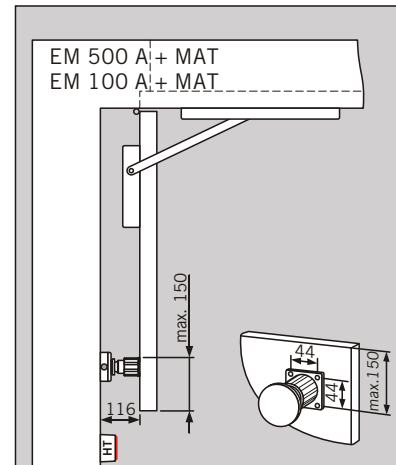
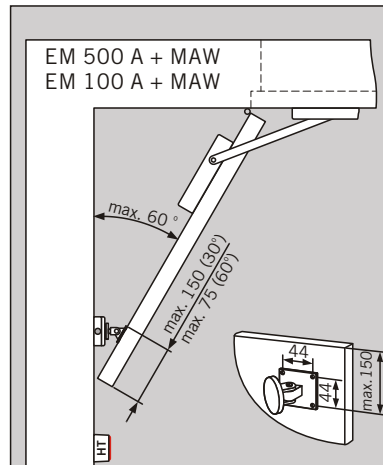
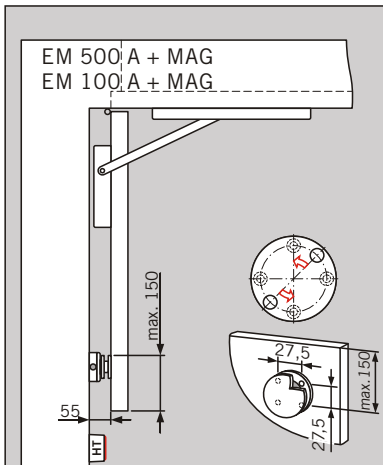
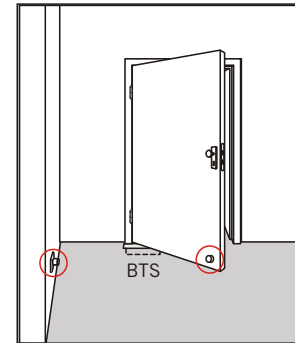
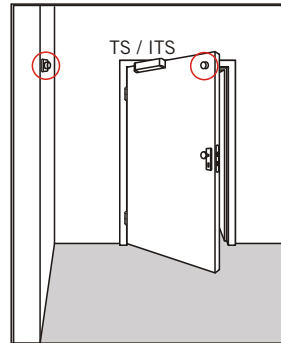
EM 100 A 24 V AC/DC

CE	DORMA GmbH + Co. KG Postfach 4009 58 247 Ennepetal		04						
	0432 - BPR-0057	EN 1155:1997+A1:2002	3	5	3	7	1	1	0
Dangerous substances: None									

EM 500 A 48 V AC/DC

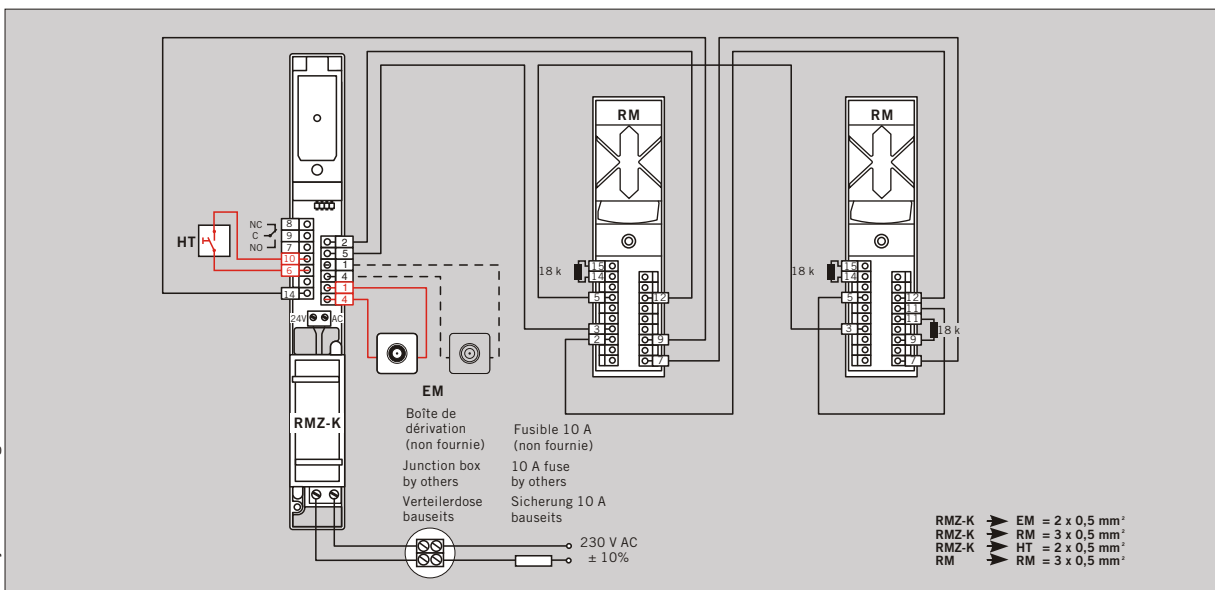
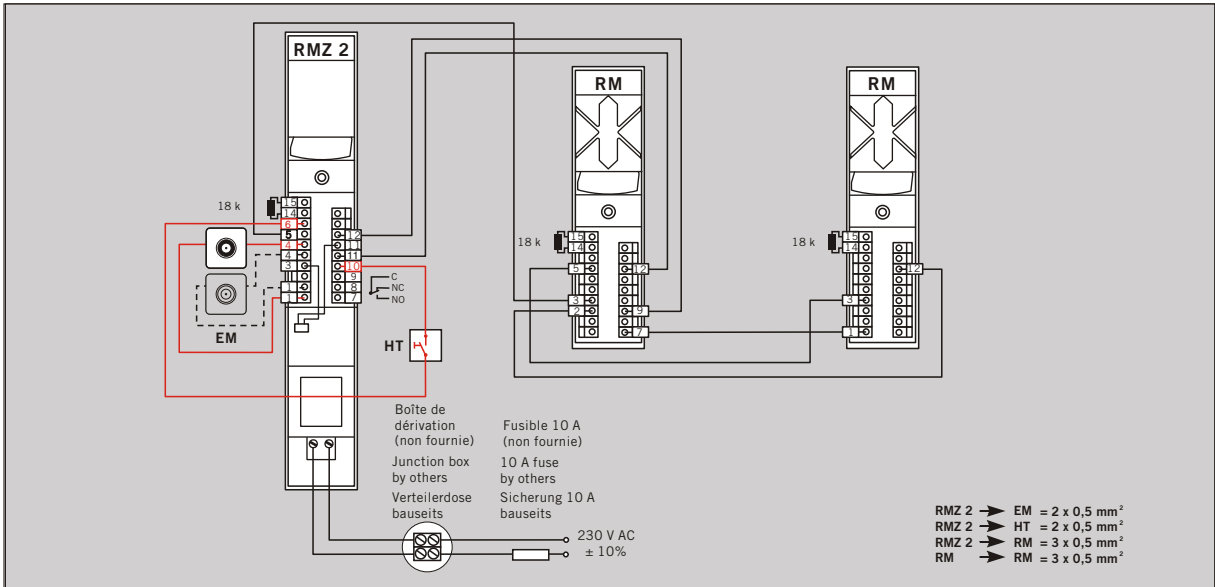
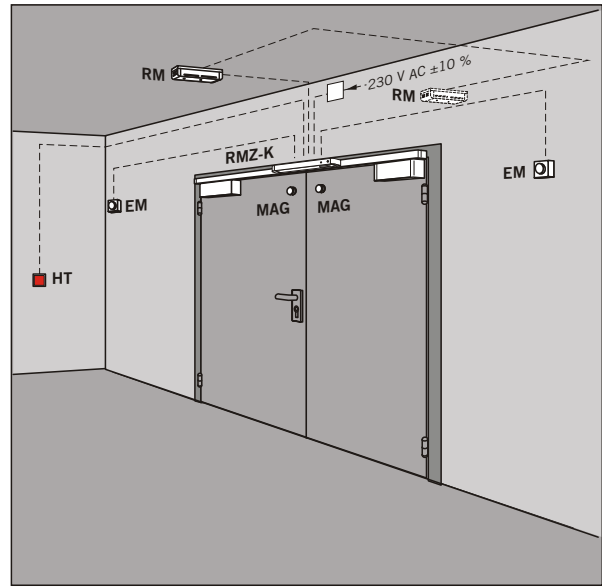
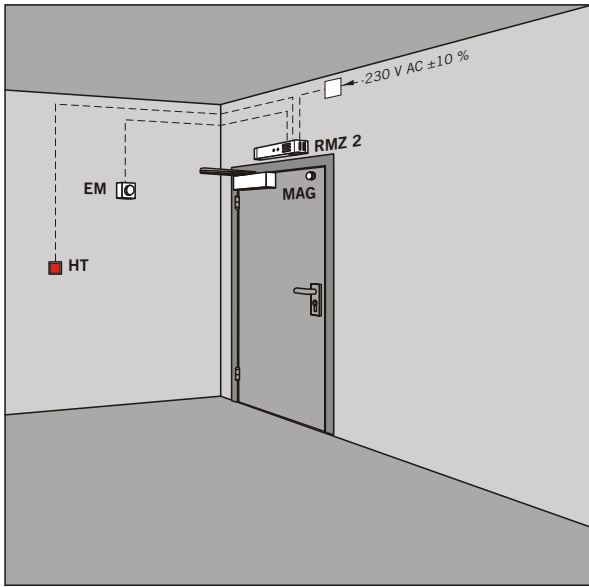


-  **MAG**
Art.Nr. 69020110
-  **MAW**
Art.Nr. 69020111
-  **MAT**
Art.Nr. 69020112
-  **HT-UP**
Art.Nr. 35901531
-  **HT-AP**
Art.Nr. 35901532



Änderungen vorbehalten
Subject to change without notice

WN 054371 45632
09/04
1/4



Änderungen vorbehalten
Subject to change without notice