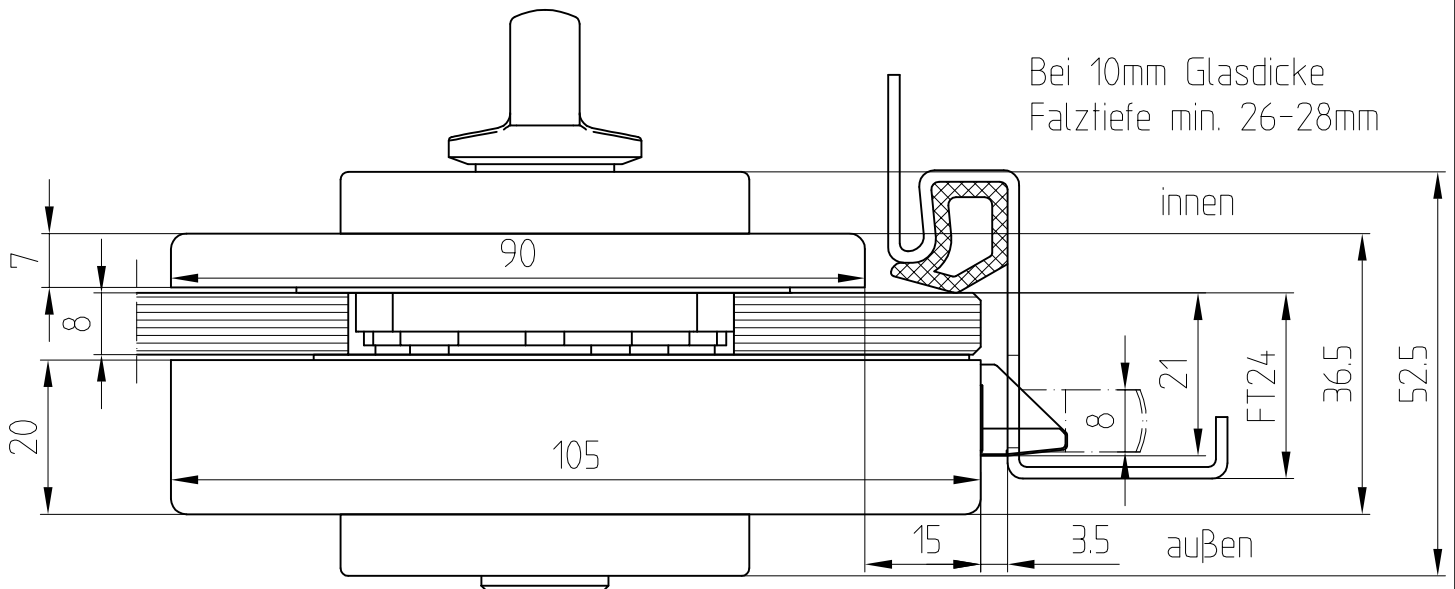
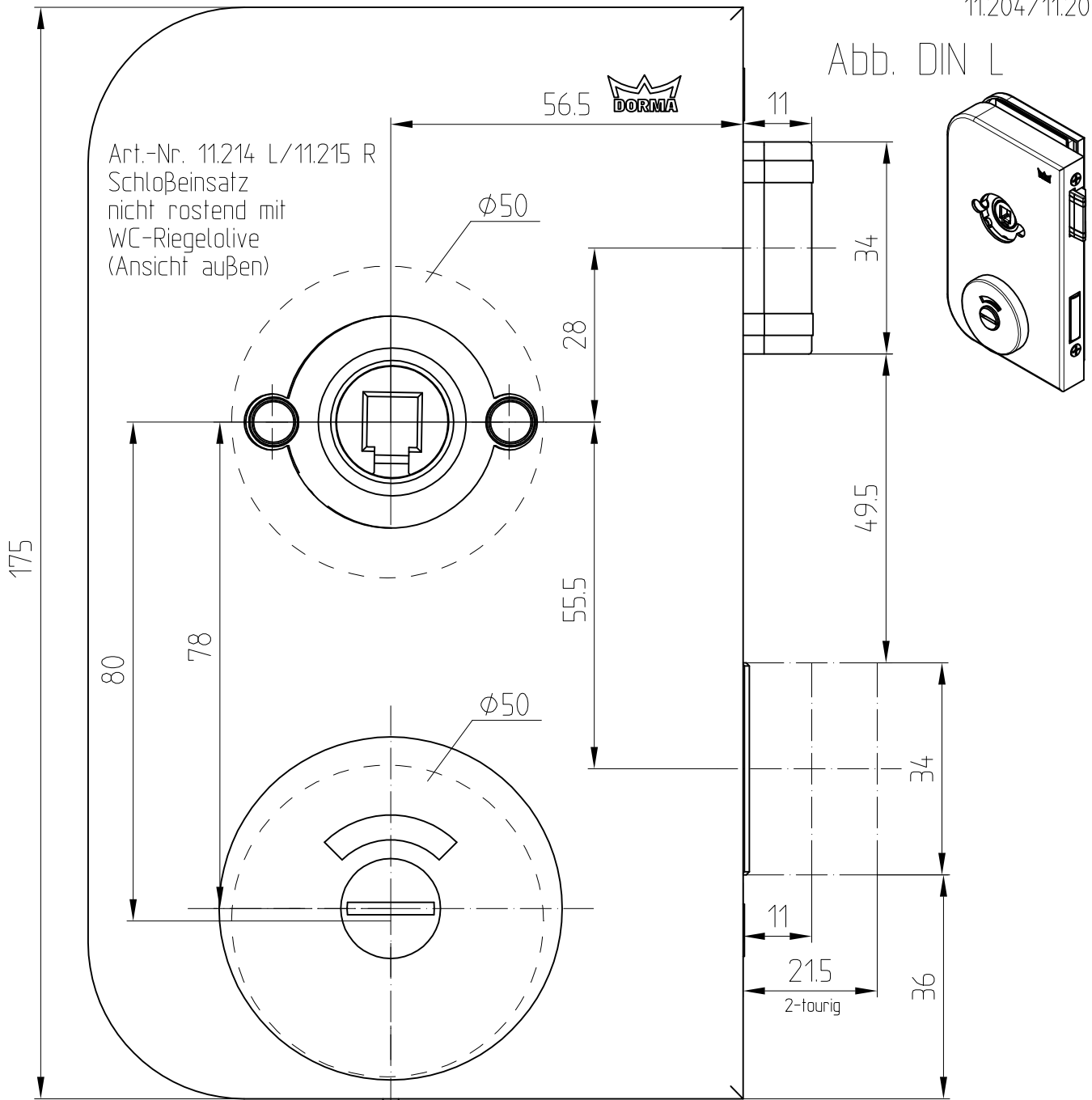


Junior-Office-Schloß Art.-Nr. 11.204 L/11.205 R



11.204/11.205

Abb. DIN L



F:\DATEN\DETAIL\11\11-008.DWG

1:1

09.10 005178

11-008