



 Wireless

dormakaba c-lever air

The flattest electronic door furniture

Elegant and compact design

Control access for only the rooms and times you want with the c-lever air, the electronic door furniture with dimensions as small as a normal door plate.

The c-lever air meets high aesthetic and functional demands for your access control. A special feature is its thin door leaf design, which at 10.5 to 11.5 mm generally makes it possible to continue using existing lock cylinders. Its flat design has already been awarded a few times.

The c-lever air is part of the dormakaba evolo standalone portfolio. No wiring is required within the door because the unit is operated with two standard batteries. Combined with lever handle elements on the inside, the same look can be obtained on all doors.

Latest technology

The innovative c-lever air can be integrated into all dormakaba system solutions and supports modern RFID technologies.

With the available wireless function you can wirelessly transfer your access rights from your computer to the components. Benefit from the advantages of this function, for instance in the fields of security, programming and maintenance.

Ready to use

The c-lever air can be used on inside doors, for example on design-oriented architecture, in modern offices or museums and galleries.

Advantages at a glance

- Award-winning product – most compact dimensions
- Standalone, radio and online mode available
- Ready for Mobile Access: receive access rights via the dormakaba app on your smartphone and use it as the access medium
- A unique portfolio with combinable, high-quality products in the same long-lasting and comprehensive design: readers, door furniture, digital and mechatronic cylinders

Any questions? We would be happy to assist you and look forward to hearing from you.

dormakaba International Holding AG
 Hofwisenstrasse 24
 CH-8153 Rümlang
 T. +41 848 85 86 87
info.ch@dormakaba.com
www.dormakaba.com

Features

Easy to use – high performance

Actuate the door as naturally as ever, whether it is with a card, key fob, a key with RFID or a smartphone – the digital lighting unit will glow green after you present your access medium, and you can open the door with the lever handle as usual.

Installation

The c-lever air can be installed indoors on narrow stile or solid leaf doors made of wood or metal. It takes only a few minutes. Please follow the operating instructions, which contain further information on technical data, tests and maintenance.

Programming

The c-lever air is suitable for single doors but also as part of a large-scale master key system. Choose from the following programming options:

- Authorisation in the component:
 - manually with the programming card;
 - with the system software and transfer of access rights via the programming device
 - conveniently from your desk via the wireless function.
- Authorisations on the access medium – programming of the door components on site is not necessary. Optionally available with:
 - CardLink
 - AoC (Access on Card)
 - OSS-SO (Open Security Standards – Standard Offline)

Essential features

The firmware supports all dormakaba system solutions and offers the following main functions:

- Number of access media:
 - with whitelist up to 4,000
 - with CardLink practically unlimited
- Internal clock and configurable time profiles
- Time-limited assignment of access rights (validation)
- Audit trail of the last 2,000 events (can be disabled)

Fire protection, smoke protection and escape route

For fire doors: Fire protection assembly kit must be used in combination with dormakaba FP lever handle as well as fire-and-smoke-protection rosettes. Conformity with EN 1634-1, fire resistance class EI2 90 (for T90 doors). Depending on the door manufacturer, an additional certificate of conformity may be required for the fire or smoke door concerned.

Escape route: For the side facing away from the escape route, the c-lever air door furniture satisfies the requirements of EN179 when using the certified device sets.

Note: The scope of this product's functions depends on the system environment selected. Certain options might not be available.

Technical information

Supported standards

- LEGIC (advant & prime)
- MIFARE (DESFire & Classic)
- OSS-SO (LEGIC advant, Version 1.00)

Types

- Wide version (for solid leaf doors) and narrow version (for hollow profiled doors)
- Euro profile, Swiss round profile
- Centre distance (version-dependent):
 - Wide: 70 to 78 mm;
 - Narrow: 70 to 94 mm
- Lever handle:
 - standard (8906), U-shaped (8906V), designer (8115), U-shaped (88116V)

Options

- Black or white cover
- Available lever handle designs
- Available functions: wireless, Mobile Access (planned)

Dimensions (W x H x D)

- Wide shield: 52 x 180 x 10.5 mm
- Narrow shield: 40 x 282 x 11.5 mm
- Door thicknesses 35 to 110 mm

Power supply

- Two batteries 1.5 V AA L91, FR6

Environment/service life

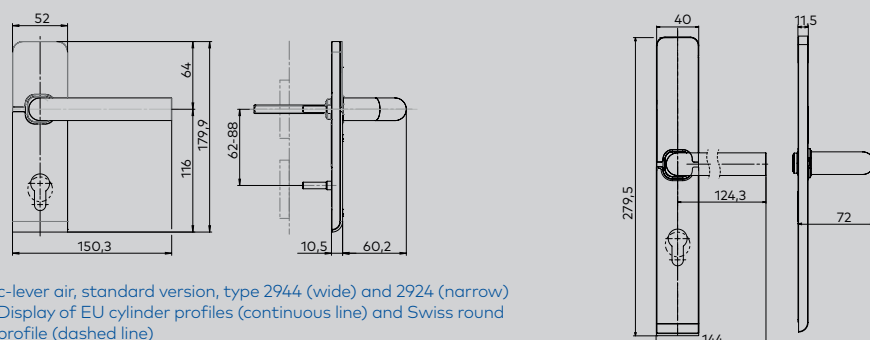
- Temperature: -20 °C to +55 °C
- Protection class: IP54
- Humidity: 0 % to 90 % rH, non-condensing
- Service life of batteries at 20 °C: up to 120,000 cycles or up to 3 years

Certificates (in preparation)

- DIN 18273 tested in accordance with EN 1634-1
- EN 179
- prEN 16867

You can find further details and order information in the relevant dormakaba evolo catalogue or in the system description.

Subject to change without notice.
Version 09/2018. © 2018 dormakaba.



c-lever air, standard version, type 2944 (wide) and 2924 (narrow)
Display of EU cylinder profiles (continuous line) and Swiss round profile (dashed line)

