

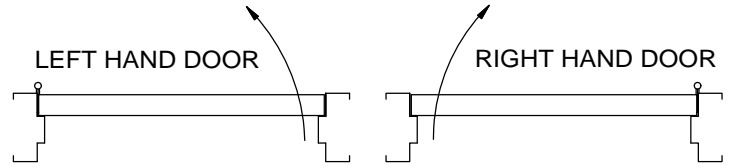
TS93-5 PKT 120/170

POCKET DOOR TRACK (CLOSER ON WALL)

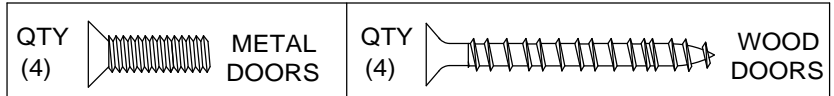


1 (REFERENCE UNIT CARTON LABEL FOR ACCESSORIES AND OPTIONS SUPPLIED)

Determine hand of door and prepare door and wall for fasteners according to template 08279972.

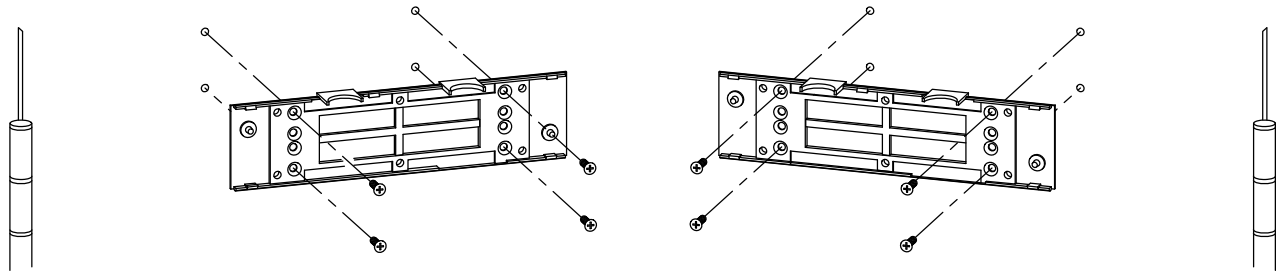


2 Attach mounting plate to pocket wall.

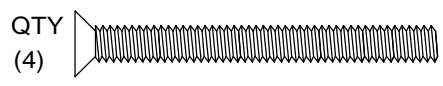


LEFT HAND DOOR

RIGHT HAND DOOR

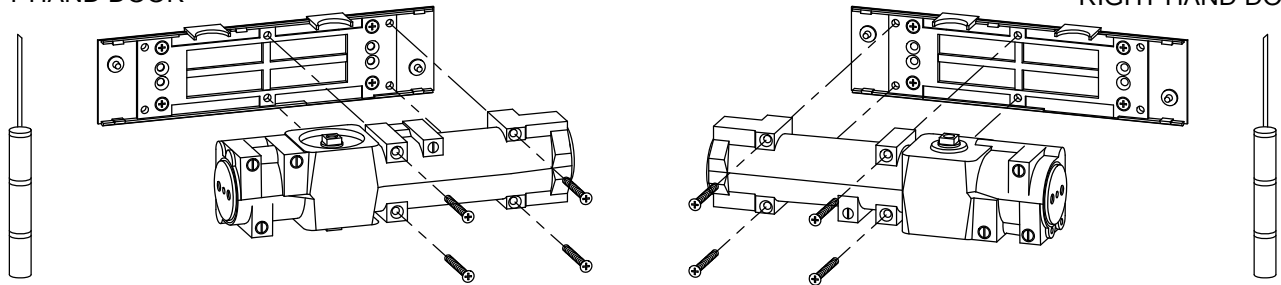


3 Attach closer to mounting plate.



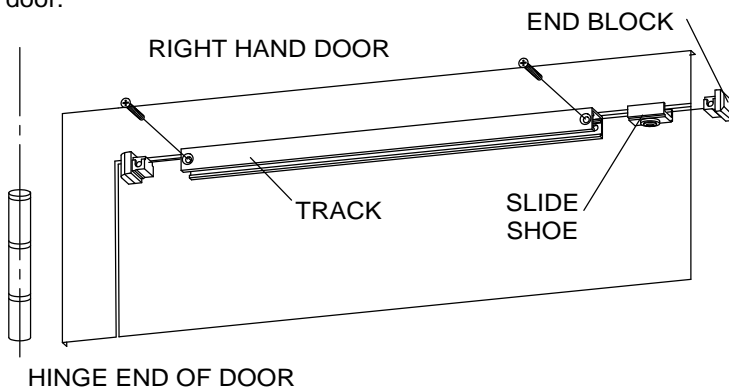
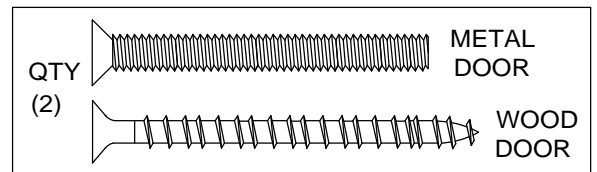
LEFT HAND DOOR

RIGHT HAND DOOR



4 Attach track to door.

Insert slide shoe and end blocks into track. Attach track to door.

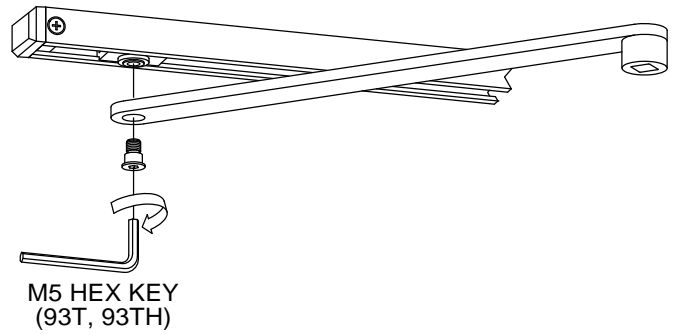
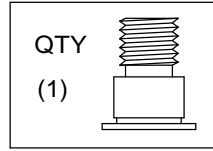


INSPK NO. 08279970 Rev.11/07

5

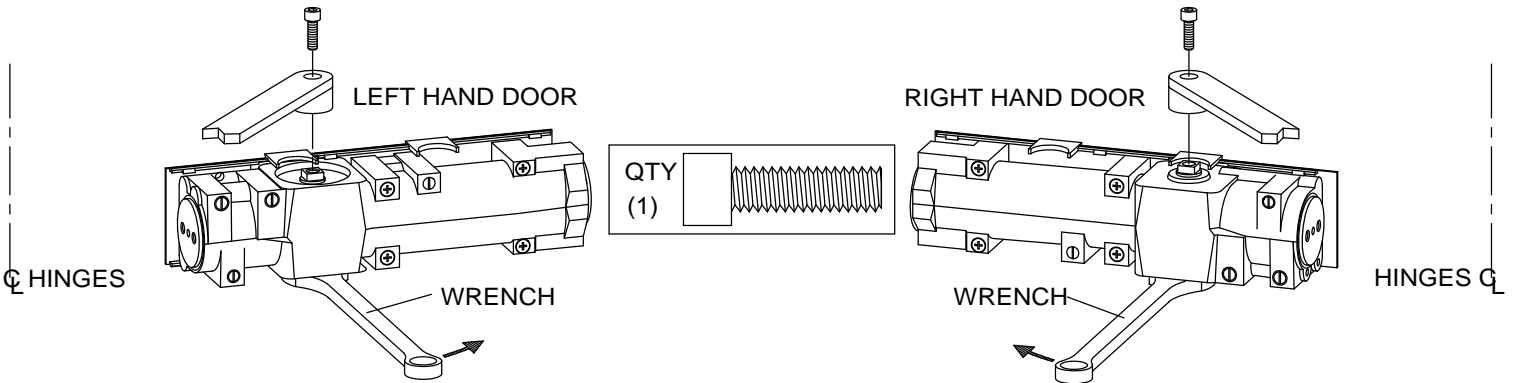
Attach arm to slide shoe.

Align hole in arm with slide shoe in track. Insert screw and tighten securely. Install track cover.



6

Place wrench on bottom pinion of closer. Rotate pinion away from wall until arm drops onto top pinion of closer. Tighten securely with screw provided.

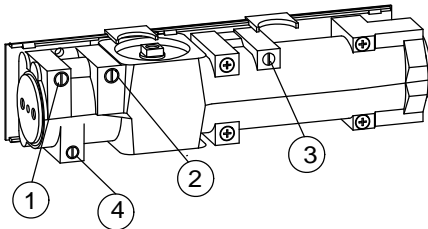
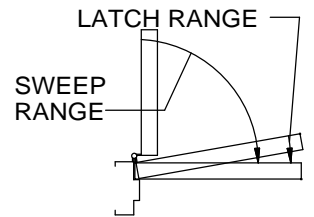


7

Adjust sweep, latch and backcheck.

DECREASE
INCREASE

- ① - SWEEP speed from approx. 70° to 0°.
- ② - LATCH speed from approx. 7° to 0°.
- ④ - DELAY speed from approx. 180° to 70°.

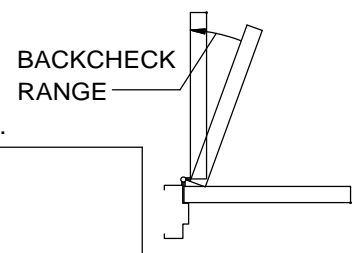


BACKCHECK (INTENSITY)

INCREASE
DECREASE

- ③ - BACKCHECK cushion effect.

CAUTION: DO NOT CLOSE VALVE COMPLETELY.



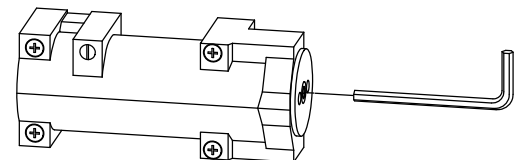
CAUTION: DO NOT REMOVE VALVES.

8

Adjust spring tension to ensure proper closing and latching of door.

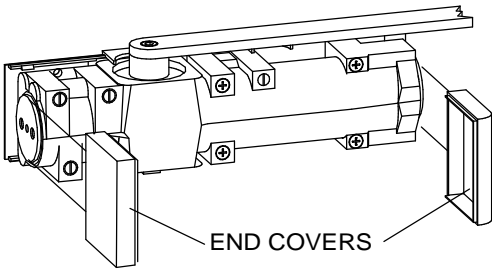
MAXIMUM NUMBER OF TURNS CLOCKWISE - 6

INCREASE



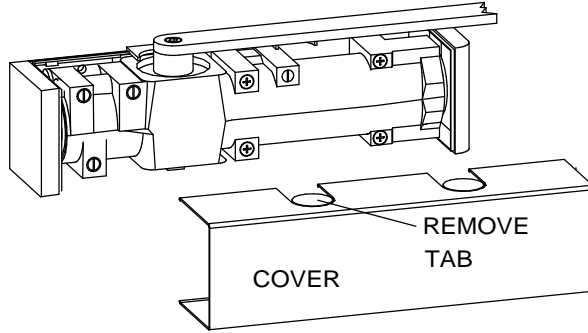
9

Install cover.



END COVERS

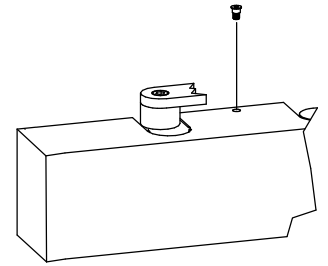
Slide end covers over closer body end caps.



COVER

REMOVE
TAB

Remove tab that aligns with arm hub. Slide cover onto plate.



Secure with locking screw.