

76M Series

Electronic Locking Devices and Accessories



Lock Overview

The 76M Series door lock installs quickly in place and is available in Armed Auto Deadbolt (AADB), cylindrical, standard mortise (ASM) no deadbolt versions. Each lock maintains a 200-event audit trail to create user accountability. The 76M door locks provide emergency access through a choice of mechanical key (fixed or recodable), plus an electronic override and an emergency keycard. Egress is by interior handle and is free at all times. The deadbolt is armed by turning the thumbturn while occupying the unit or by activating the thumbturn upon exiting the unit. It features a 1-inch solid metal deadbolt, ADA (Americans with Disabilities Act) compliant levers, and audible and visible feedback. The attractive and robust design of the lock compliments any decor. Our Supreme finish can protect the 76M lock, which is ideal for ocean front applications.

Applications

- Suitable for small to very large properties, with up to 16,000 locks
- Easily replaces existing mechanical or electronic door locks throughout a facility
- Access control for residents rooms and facilities, as well as back-of-the-house

Product Benefits

- Refined finishes and lock design compliments your existing decor
- Supreme finish is ideal for ocean front applications
- Added security with electronic override. Records authorization number, date and time
- Uses 3 AA batteries
- User friendly for physically impaired residents & staff
- ADA thumbturn adapter for Disability rooms (Optional)
- Completely field reversible
- All electronics and batteries are located in the outside housing to ensure easy battery replacement without disturbing residents
- Can read keycards encoded in either Kaba proprietary format or Standard ISO for track 3 (THRIFT)

Security Features

- Vandalism and attack resistant
- Solid deadbolt with rolling pin
- Emergency access: Emergency keycard, mechanical key (fixed or recodable), electronic override, or drill point
- Override options
 - Electronic Override (Standard): The electronic override is performed by using the Maintenance Unit (EAMU) and the programming module and has full audit trail capability
 - Mechanical Key Override: Concealed; Lori cylinder with reversed lockwood 1004A keyway
 - Mechanical Recodable: Concealed; recodable cylinder using 3 separate keys

Low Maintenance

- Operates with Hi-C keycard in insert motion in open reader slot so foreign objects are easily removed
- Batteries last for up to 50,000 openings or approximately 2 to 3 years
- Low battery indicator alerts staff and residents
- Lock programming and audit are not erased during battery replacement
- Wear resistant construction and finish
- Upgrades can be done on-site

Cards and Accessories

- Off the shelf magnetic stripe Hi-C keycards
- Custom printed keycards advertise your establishment or related services (including embossed keycards)
- Cleaning cards



Multi-Housing Series

76M Series

Lock Overview

Mechanical Features

Description:	Heavy duty electronic lockset (mortise or cylindrical) with clutch mechanism and built-in magnetic stripe card reader
Locking Devices:	Armed auto-deadbolt ASM with 1¼" or 1" faceplate American Steel Mortise (ASM) with 1¼" or 1" faceplate (no deadbolt) Cylindrical with 2¾" or 2⅝" backset
Handing:	Left or Right factory handed mortise, field reversible handing (lever and mortise)
Lever:	ADA compliant, outside lever free to rotate upward and downward in locked mode Lever clearance (space from lever to door) Long Lever 76M = ⅜" (2.3mm) Short Lever 76M Electronic Override = 1¾" (43.75mm) 76M Key Override = 2" (50mm)
Deadbolt:	1" (25 mm) for AADB solid metal with rolling pin, projected by inside thumbturn and retracted with the latch by the interior handle, emergency override or specific staff keycards
Dimensions:	Door thickness from 1⅝" to 2½" (35mm to 66mm); Lever return within 1/2" of door
Shipping weight:	8.5 lbs (3.8 kg)
Housing construction:	Cast zinc alloy (outside housing levers and thumbturn, Stainless Steel inside housing)
Standard finishes:	Satin Chrome, Satin Brass, Painted Black and optional Supreme ocean front finish
Standard backset:	2¾" (70mm) backset, 2⅝" (60mm) backset also available for cylindrical lock

Batteries

Alkaline:	3 AA for operation between 23°F and 140°F (-5°C and 60°C) Up to 50,000 openings or approximately 2 to 3 years (based on 10 openings per day) Low battery indicator: Alerts staff that batteries need to be changed soon
------------------	-------------------------------------------------------------------------------------------------------------------------------------------------------------------------------------------------------------------------------

76M

76M Series

Lock Overview



Multi-Housing Series

Lock Operation

Date/time stamp:	Real time; date and hours/minutes
Programming and Audit trail downloading:	Using Maintenance Unit - EAMU with communication cables
Pre-registered keycards:	Up to 10 days in advance
Keycard expiry:	From 1 hour to 7 years, depending on type and setup
Lockout mode:	Set by authorized keycard
Keycards accepted:	High coercivity Track 3 magnetic stripe cards that complies with ISO standard dimensional specifications
Feedback:	"Dual sensory" audible and visible indicators
Diagnostics:	Built-in battery voltage meter and lock version display
Audit memory:	Last 200 transactions
Disability Feature:	Extended unlock time (4 seconds standard, 15 seconds for disability)

Certification and Testing

Accessibility standard:	ADA compliant lever handles
Fire rating:	Meets UL 10C and ULC S-104; on fire door rated up to an including 3 hours (Applies also to a System 700 retrofit). Does not meet UL for cylindrical 2 3/8" (60mm) backset
Electronics:	FCC Part 15 Class A and CE directive 89/336/EEC compliant
Durability:	Meet requirements of ANSI A156.25 for dust, rain, humidity and salt spray corrosion tests
Environmental Operating Conditions:	32°F to 151°F (0°C to 66°C), for inside housing 0% to 85% non-condensing humidity at 86°F (30°C) -31°F to 151°F (-35°C to 66°C) for outside housing

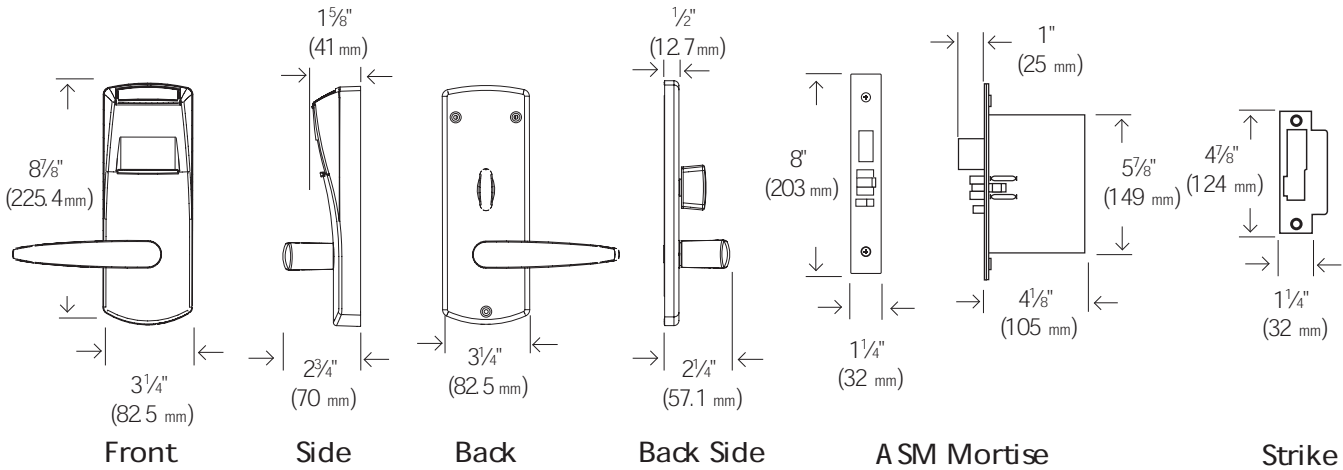
Warranty

Warranty:	2 years
------------------	---------

76M

76M Series

American Steel Mortise (ASM) Lock 1 1/4" Mortise



Standard Mdel (Example)

76M	18	3	1	K	R	3	0	-	626
Model	Locking Device	Track	Type Lever	Override	Handing	Version	Door Thickness		Finish

Build the model number with the desired options

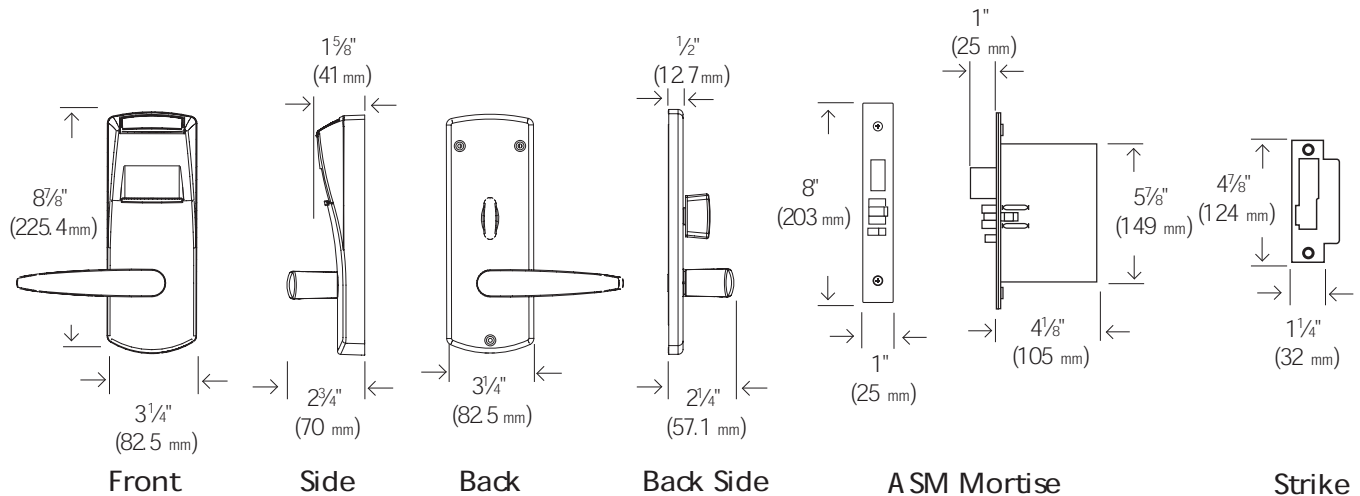
76						3		-	
Model	Locking Device	Track	Lever	Override	Handing	Version	Door Thickness		Finish

Mdel	Locking Device	Track	Lever Type	Override	Handing	Version	Door Thickness	Finishes
76M Unit Lock Deadbolt operated by the thumbturn. Recommended for residential units, must be manually set.	18 Armed Auto Deadbolt ASM with 1 1/4" (32 mm) face plate, field reversible handing	3	1 Long/Long Front Back	E Electronic	L Left	3 Thrift & Iico Format Reader	O 1 5/8" - 2 1/2" (41-63 mm) For doors greater than 2 1/2" (63 mm) order a thick door kit in Lock Accessories Miscellaneous section.	626 Satin Chrome 606 Satin Brass 222 Painted Black with Satin Chrome levers and inside trim
			2 Short/Short*** Front Back	K Mechanical key cylindrical Lori universal (1539) key-in-knob OR Mechanical recodable key cylinder <i>* Must specify on lock order which type of key configuration is required</i>	R Right F* Dual Handed (L & R), Left Hand Reverse, Right Hand Reverse (X & Y)			
Unit/Office Lock No deadbolt, must be manually locked by user.	12 ASM, with 1 1/4" (32 mm) face plate, field reversible handing	3	8 Long/Long Inside at 45° Front Back	<i>* Must specify on lock order which type of key configuration is required</i>	N N/A	D Demo Lock on wood mount RH only	223 Painted Black with Satin Brass levers and inside trim 827 Satin Chrome Supreme Finish	
Or 76M Storeroom Lock No deadbolt, inactive thumbturn, no privacy. Recommended for closets or common areas.	12 ASM, with 1 1/4" (32 mm) face plate, field reversible handing		H Short/Short*** Inside at 45° Front Back					
763 Dummy Lock For aesthetic use only	00 No locking mechanism	0	Front Back					

Note: * Locks are assembled "Right-Hand" and may be field reversed for Left-Hand doors
 *** Use short levers when molding are within 4 1/2" (11 cm) and 8" (20.32 cm) from the edge of the door

76M Series

American Steel Mortise (ASM) Lock 1" Mortise


Standard Model (Example)
7 6 M

Model

1 9

Locking Device

3

Track

1

Type Lever

K

Override

L

Handing

3

Version

0

Door Thickness

-

6 2 6

Finish

Build the model number with the desired options
7 6

Model

Locking Device

Track

Lever

Override

Handing

3

Version

Door Thickness

-

Finish

Mdel	Locking Device	Track	Lever Type	Override	Handing	Version	Door Thickness	Finishes
76M Unit Lock Deadbolt operated by the thumbturn. Recommended for residential units, must be manually set.	2 3/4" (70mm) Backset 19 Armed Auto Deadbolt ASM with 1" (25.4 mm) face plate, no field reversible handing	3	1 Long/Long <i>Front</i> <i>Back</i>	E Electronic K Mechanical key cylindrical Lori universal (1539) key-in-knob OR Mechanical recordable key cylinder <i>* Must specify on lock order which type of key configuration is required</i>	L Left or Right Hand Reverse R Right or Left Hand Reverse	3 Thrift & Ilco Format Reader	0 1 3/8" - 2 1/2" (35-63 mm) For doors greater than 2 1/2" (63 mm) order a thick door kit in Lock Accessories in Miscellaneous section.	626 Satin Chrome 606 Satin Brass 222 Painted Black with Satin Chrome levers and inside trim 223 Painted Black with Satin Brass levers and inside trim 827 Satin Chrome Supreme Finish
			2 Short/Short** <i>Front</i> <i>Back</i>					
Unit/Office Lock No deadbolt, must be manually locked by user. Or 76M Storeroom Lock No deadbolt, inactive thumbturn, no privacy Recommended for closets or common areas.	13 ASM, with 1" (25 mm) face plate, no field reversible handing	0	8 Long/Long Inside at 45° <i>Front</i> <i>Back</i>	* Must specify on lock order which type of key configuration is required	N N/A			
763 Dummy Lock For aesthetic use only.	00 No locking mechanism		H Short/Short** Inside at 45° <i>Front</i> <i>Back</i>					

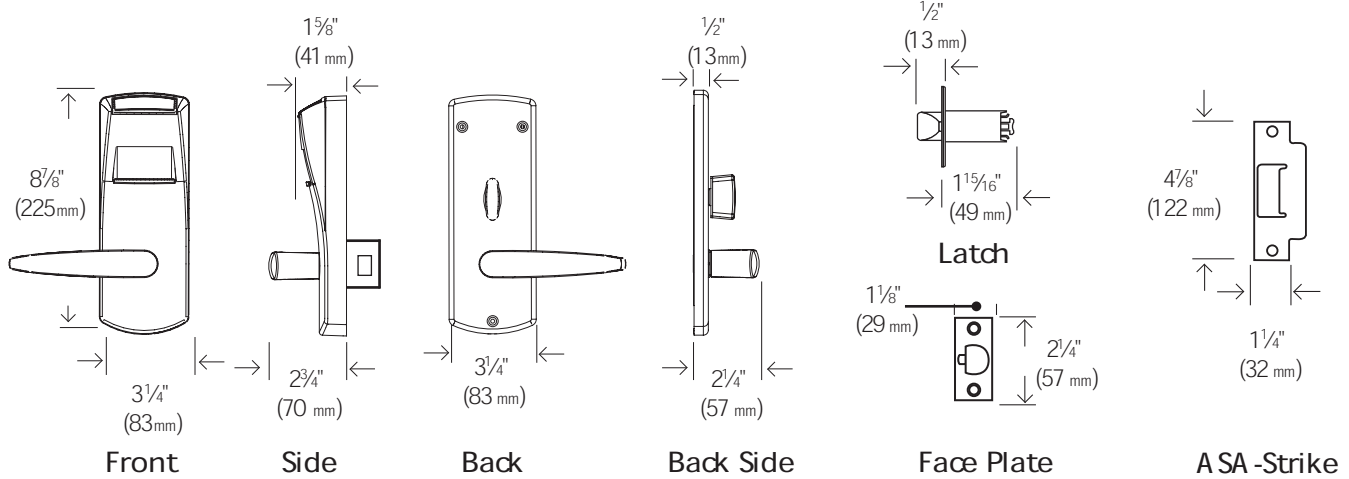
Note: ** Use short levers when molding are within 4 1/2" (11 cm) and 8" (20.32 cm) from the edge of the door.



Multi-Housing Series

76M Series

Cylindrical Lock





Standard Model (Example)

7	6	M	5	0	3	1	K	F	3	0	-	6	2	6
Model			Locking Device		Track	Type Lever	Override	Handing	Version	Door Thickness		Finish		

Build the model number with the desired options

7	6								3		-			
Model		Locking Device		Track	Type Lever	Override	Handing	Version	Door Thickness			Finish		

Mdel	Locking Device	Tracks	Lever Type	Override	Handing	Version	Door Thickness	Finishes
76M Unit No deadbolt for residential units must be manually set by user Or Office Lock No deadbolt Privacy activated with thumbturn. Recommended for offices.	50 2 3/4" (70 mm) backset with 1/2" (13 mm) latch 53 2 3/8" (60 mm) backset with 1/2" (13 mm) latch (Not UL fire rated, Not grade 1)	3	1 Long/Long <i>Front</i>  <i>Back</i> 	E Electronic K Mechanical key cylindrical Lori universal (1539) key-in-knob OR Mechanical recodable key <i>* M ust specify on lock order which type of key cylinder is required</i>	F Dual Handing left hand, right hand (L & R), Left Hand Reverse, Right Hand Reverse (X & Y) * Handing may be field reversed	3 Thrift & Ilco Format Reader	O 1 3/8" - 2 1/2" (35-63 mm) For doors greater than 2 1/2" (63 mm) order a thick door kit in Lock Accessories Miscellaneous section.	626 Satin Chrome 606 Satin Brass 222 Painted Black with Satin Chrome levers and inside trim 223 Painted Black with Satin Brass levers and inside trim 827 Satin Chrome Supreme Finish
			763 Dummy Trim No moving parts, no electronics. For aesthetic use only.	00 No locking mechanism	0			