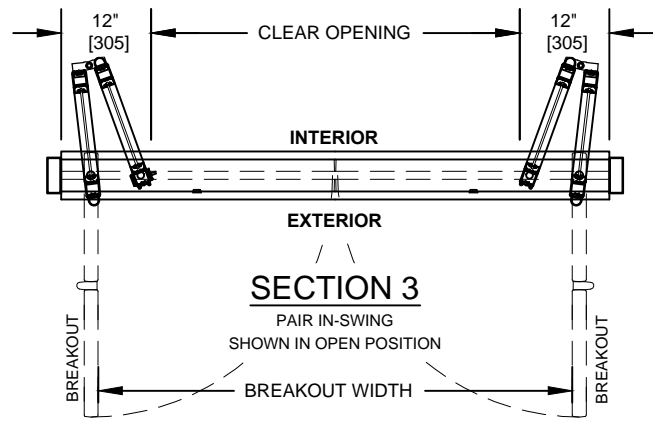
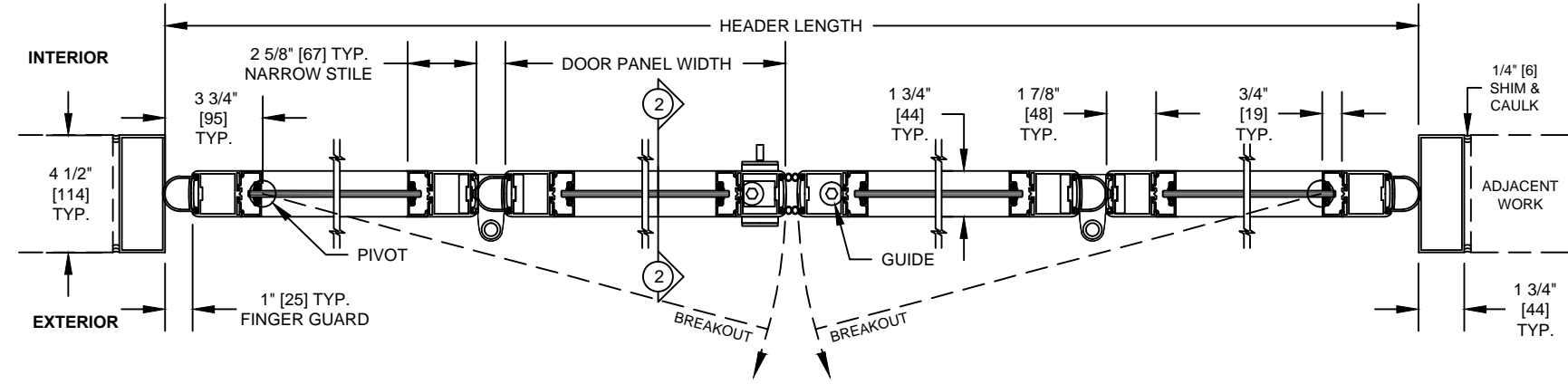


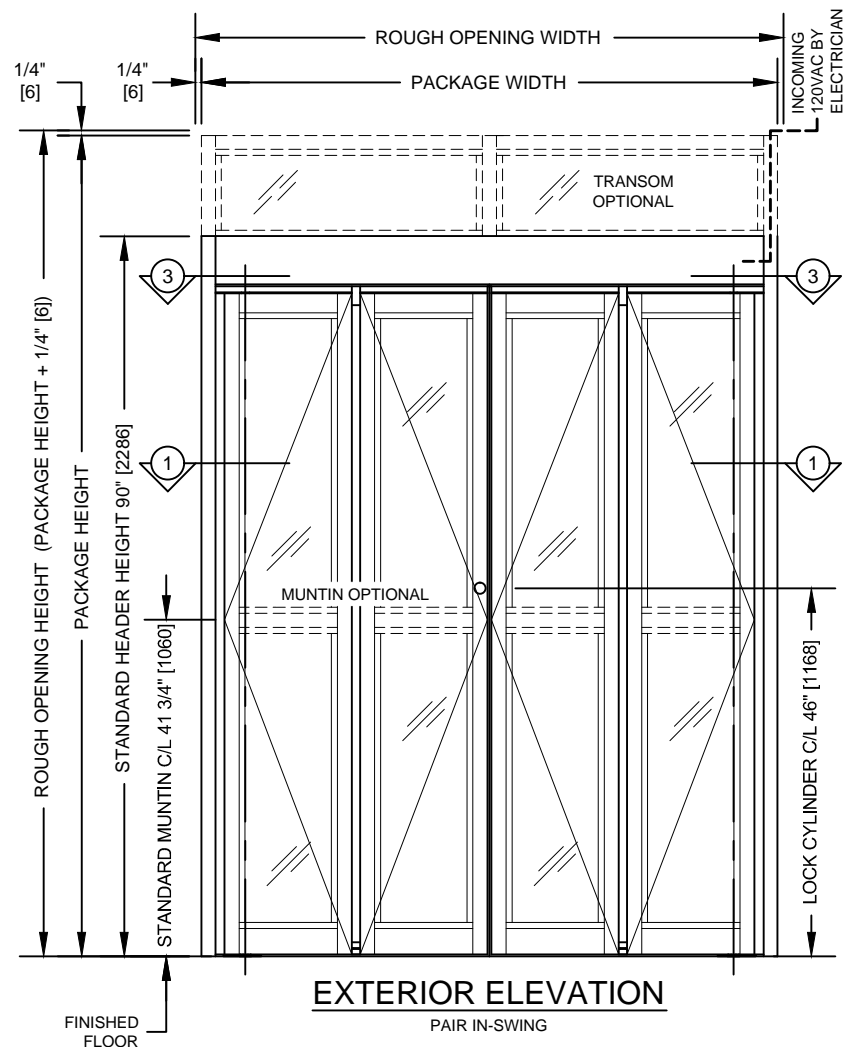
**SECTION 2**  
PAIR IN-SWING PANEL



**SECTION 3**  
PAIR IN-SWING  
SHOWN IN OPEN POSITION



**SECTION 1**  
PAIR IN-SWING



**EXTERIOR ELEVATION**  
PAIR IN-SWING

Package Width	Rough Opening Width	Clear Opening	Door Panel Width	Breakout Width
(6'-0") 72" [1829]	72 1/2" [1842]	44 1/2" [1130]	15 7/8" [403]	59 1/4" [1505]
(7'-0") 84" [2134]	84 1/2" [2146]	56 1/2" [1435]	18 7/8" [479]	71 1/4" [1810]
Width Formulas	Package Width + 1/2" [13]	Package Width - 27 1/2" [698]	Package Width / 4 - 2 1/8" [54]	Package Width - 12 3/4" [324]

- The ED1200 heavy duty automatic operator, Pair Bi-Fold door package consists of:
  - Operator:
    - Swing door operator, microprocessor controller with 4 quadrant motor and digital encoder.
    - Jamb mounted 3 function rocker switch panel.
    - Standard safety package
      - Two Motion Activated sensors.
      - One Overhead Presence Sensor.
  - Panels:
    - 2-5/8" [67] Narrow stile door panels (including 3/4" [19] wide glass stop).
    - 3-1/4" [83] Optional muntin mounted at 41-3/4" [1060] centerline on all panels (including 3/4" [19] wide glass stop).
    - 4" [102] Bottom rails (including 3/4" [19] wide glass stop).
    - 1-3/4" [44] x 4-1/2" [114] Smooth jambs.
    - Manual two point mortise lock with thumb turn and key cylinder.
    - 3/4" [19] wide snap-in glass stops for glazing from 1/4" [6] to 1-1/4" [32] at 1/8" [3] increments.
    - Dorma heavy duty bottom pivot.
    - 1" [25] Finger guard.
    - Bottom Door Sweep.
  - Finishes:
    - Clear anodized (BHMA 204).
    - Dark Bronze anodized (BHMA 313).
- Optional Transom
  - Single vertical 1 3/4" [44] x 4 1/2" [114] smooth mullion (Standard). Multiple verticals available.
  - Glass thickness options 1/4" [6] thru 1-1/4" [32] at 1/8" [3] increments.
  - 1/4" [6] Glass uses pocketed tubes and pressed in-glazing, top and sides.
  - Other glass thickness use snap-in sash on all sides.
- Typical Package Options:
  - Finishes: special anodized, PVDF (wet) paint, powder coat, and cladding available. header, panels and jambs only.
  - Muntins: multiple, various heights, locations and crashbars available.
  - Bottom Rails: 7" [178], 10" [254]. Other options available.
  - Vertical and horizontal brush/rubber type weather stripping available.
  - Jambs: single offset pocket 1 3/4" [44] x 4 1/2" [114] and 2" [50] x 6" [152] smooth available.
  - Optional ADA Compliant Surface applied track and threshold 1/2" [13] x 4 1/2" [114].
    - Various thresholds available.
- Drawing Notes:
  - Drawing dimensions are in English & Metric units. Metric units are displayed as: 1" [25] millimeters.
  - Typical package dimensions: (Glass thickness may be limited by panel size)
    - Each door package is manufactured to your custom size requirements.
    - Package Width: Min. 6'-0" [1829] to Max. 8'-8" [2642].
    - Header Height: Min. 7'-3 1/2" [2222] to Max. 9' [2743].
    - Package Height: Max. 12' [3658] with Transom.
    - Panel Width: Max. 24" [610].
    - Panel Weight: Max. 150 lbs. [68kg].
    - Panel Size Limit = ( Panel Width x 2 x Weight ) < 800 ft-lbs [1084 N-m] Max.
- Power Requirements:
  - 120V +/- 10%, 50/60 Hz, 6.6A peak (per operator). Service to header by electrician.
- Standards of Compliance:
  - UL 325 & CSA 22.2 (listed with ETL).
  - Designed to comply with these standards depending on installation and application:
    - International Building Code (Section 1008).
    - ANSI/BHMA 156.10 (May also require guide rails depending on configuration).
    - NFPA 101 Life Safety Code (Section 7.2.1.9).
  - Refer to Local, State, National or AHJ. Building Code for minimum door height and minimum/maximum width allowable for egress requirements.
  - Minimum ADA is 32" clear slide opening.
- Contact Dorma Architectural Services for more information:
  - Email: [SPECNOW@dorma.com](mailto:SPECNOW@dorma.com)
  - Phone: 1-844-SPEC-NOW (1-844-773-2669)

ED1200\_PN\_IN Sheet 1 of 1

**DORMA USA Inc.**  
924 Sherwood Dr. Lake Bluff, IL 60044 Phone: 800-523-8483

Drawing Title: **ED1200 AUTOMATIC BI-FOLD DOOR PACKAGE**

**PAIR NARROW STILE IN-SWING**

© DORMA USA Inc. Subject to Change Without Notice. Date: 24-SEP-2015