

DORMA Automatics, Inc  
 924 Sherwood Drive  
 Lake Bluff, Illinois 60044  
 Toll Free: (877)-367-6211  
 Fax: (877)423-7999

THE STANDARD PACKAGE CONSISTS OF:  
 THE AUTOMATIC DOOR OPERATOR & HOUSING, FRAMES,  
 DOORS, SIDELITES WITH VERTICAL AND HORIZONTAL  
 WEATHERSTRIP, 2-POINT LOCKING, BREAKAWAY DEVICE,  
 CONCEALED CONTROL PANEL (OFF, AUTO, HOLD-OPEN,  
 REDUCED OPENING, EXIT ONLY ACTIVATION)

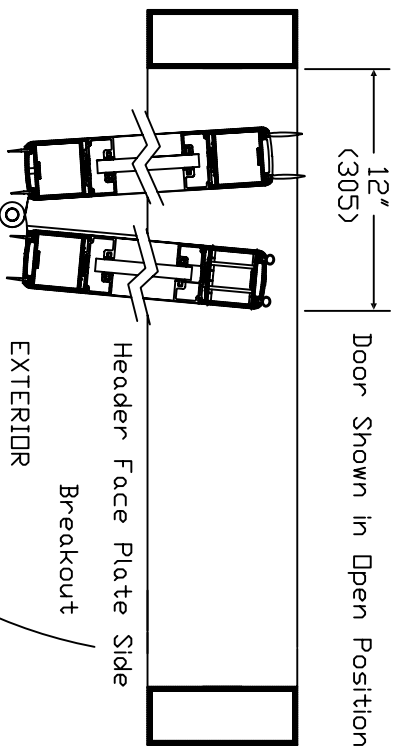
STANDARD FINISHES: CLEAR BHMA 204  
 DARK BRONZE BHMA 313

SPECIAL FINISHES ARE AVAILABLE

DRAWING DIMENSIONS ARE IN ENGLISH AND  
 METRIC UNITS. METRICS ARE SHOWN IN  
 MILLIMETERS, AS FOLLOWS: 1" (25.4)

FOR MAXIMUM CURRENT DRAW, SEE  
 PRODUCT SPECIFICATION OR  
 INSTALLATION INSTRUCTIONS.

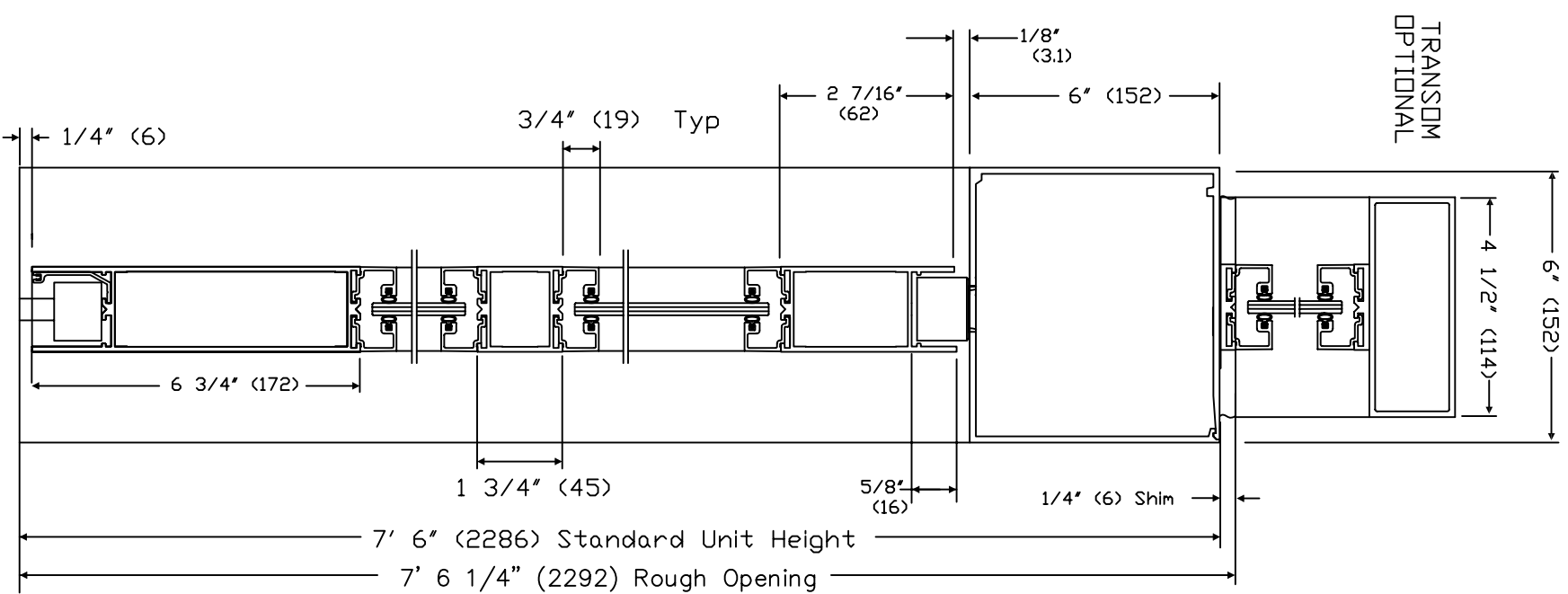
REFER TO APPLICABLE LOCAL, STATE OR  
 NATIONAL BUILDING CODE FOR MINIMUM DOOR  
 HEIGHTS AND WIDTHS FOR ALLOWABLE EGRESS  
 REQUIREMENTS. SEE REFERENCE TABLE BELOW.



STANDARD PACKAGE SIZES

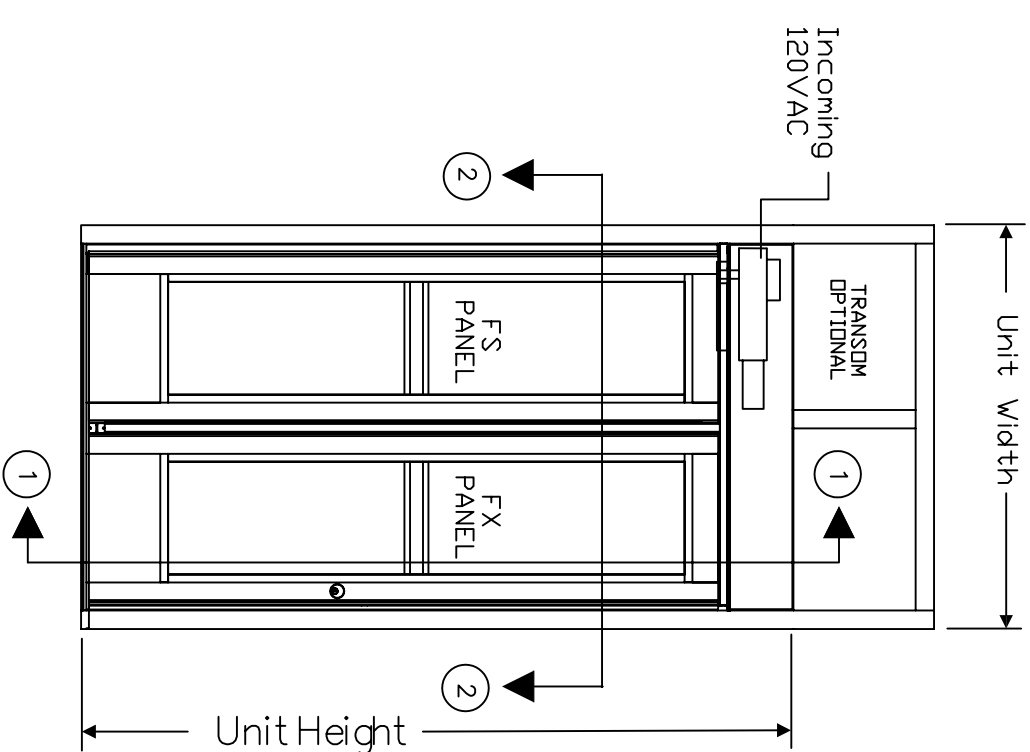
STANDARD UNIT SIZE WIDTH	STANDARD UNIT SIZE HEIGHT	MAXIMUM CLEAR OPENING AT BREAKOUT	ROUGH OPENING WIDTH	ROUGH OPENING HEIGHT
44" (1118)	7'-6" (2286)	34" (863)	44 1/2" (1130)	7'-6 1/4" (2292)
48" (1219)	7'-6" (2286)	36" (914)	48 1/2" (1231)	7'-6 1/4" (2292)

Note: Dimensions in ( ) are mm

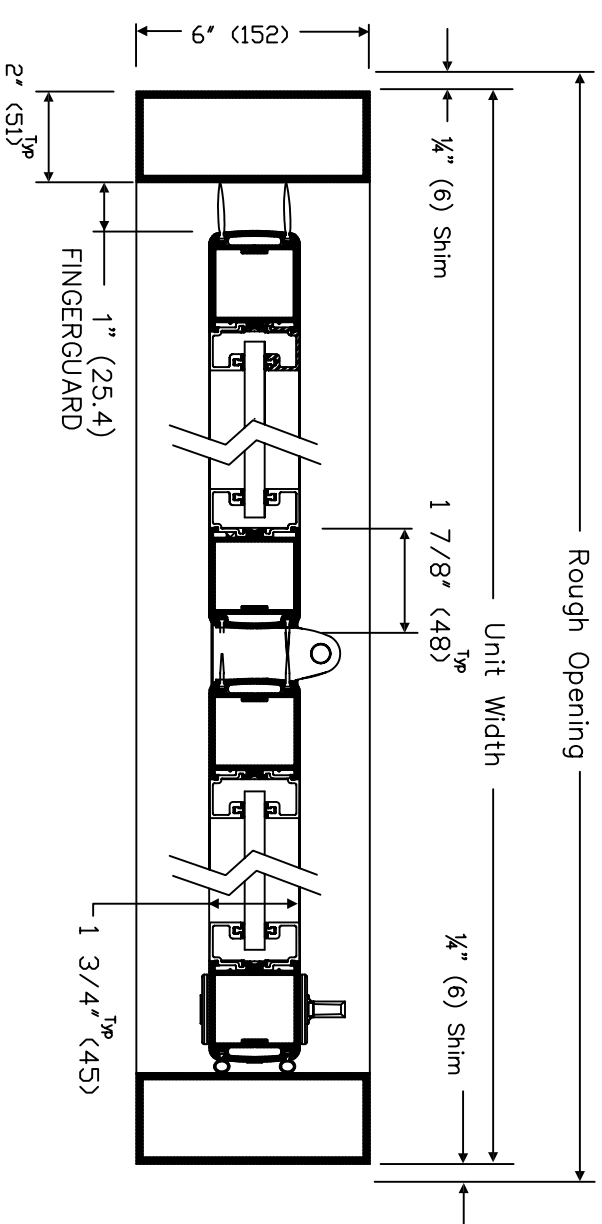


SECTION 1

Door Shown in Closed Position



ELEVATION



SECTION 2

Door Shown in Closed Position