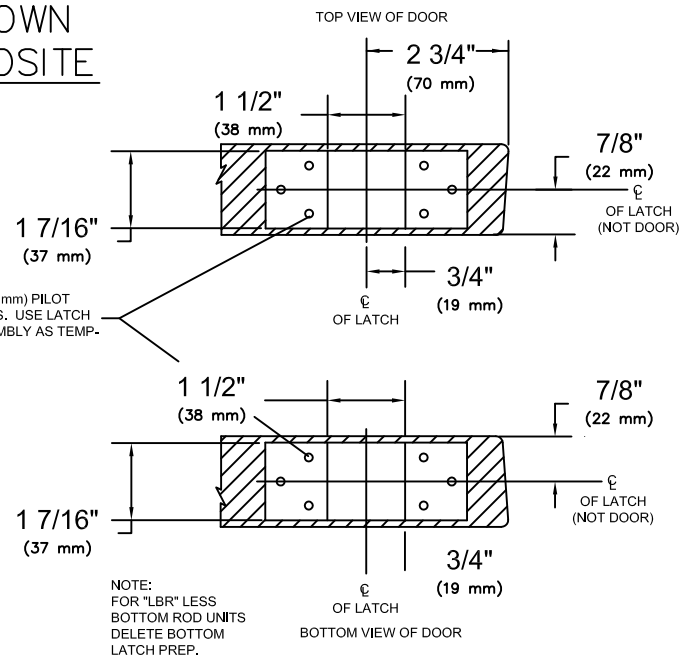
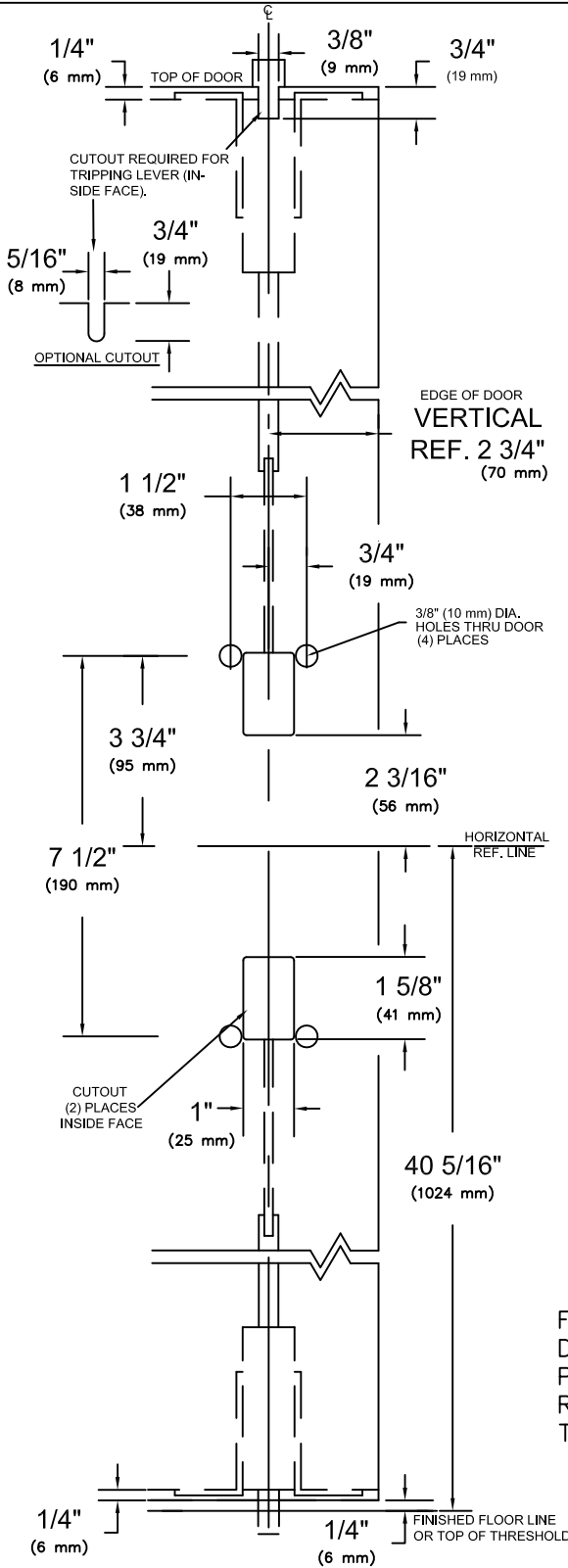
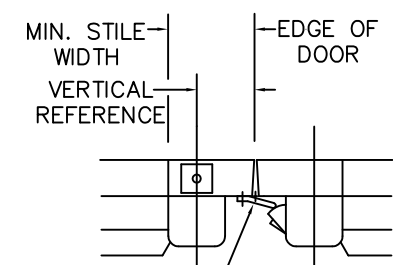
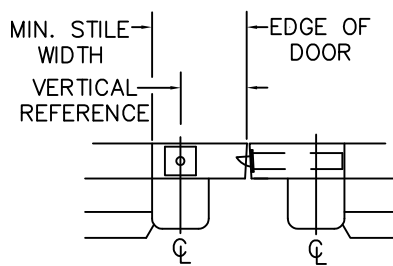
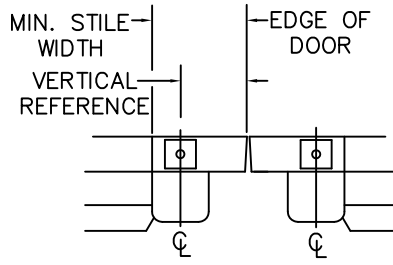


RHR SHOWN LHR OPPOSITE



NOTE:
FOR "LBR" LESS
BOTTOM ROD UNITS
DELETE BOTTOM
LATCH PREP.




OVERLAP STRIKE
FOR 9300 SERIES
MOUNTING LOCATION
SEE APPROPRIATE
9300 TEMPLATES.

FOR LESS BOTTOM ROD (LBR)
DEVICES, DELETE BOTTOM LATCH
PREP. POPPER REQUIRED ON FIRE
RATED DEVICE, SEE TEMPLATE
T-4012.

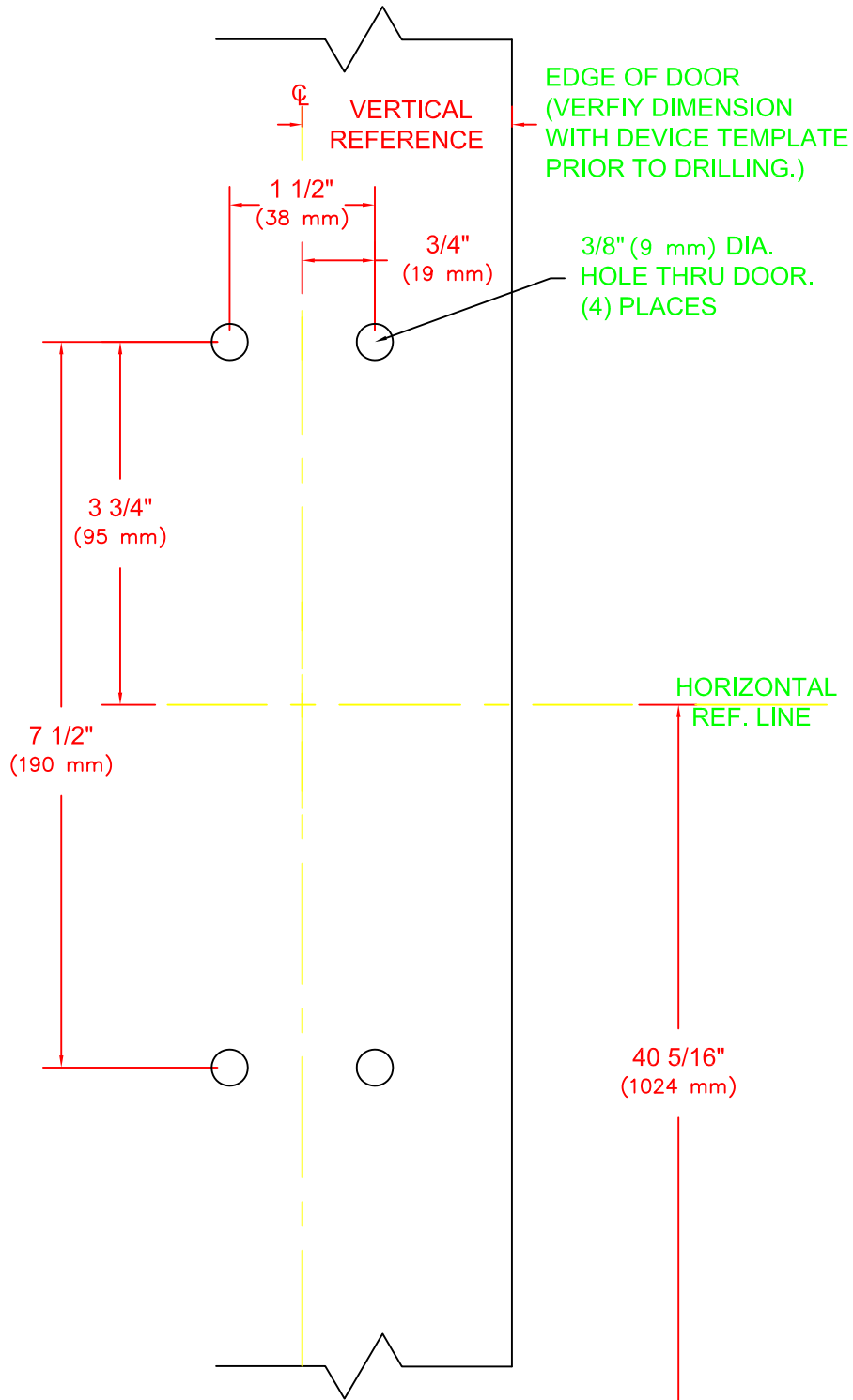
VERTICAL REFERENCE	MINIMUM STILE WIDTH
2 3/4" (70 mm)	4 3/16" (106 mm)

NOTES:

1. SEE T-9118WD FOR ROUTING INSTRUCTIONS.
2. SEE ADDITIONAL TRIM TEMPLATE WHEN REQUIRED.
3. SEE ADDITIONAL TEMPLATES FOR FIRE CHANNEL EDGE PREP.
3. DEVICE WILL COVER STANDARD SDI CUTOUT.


REV. No. 3	REVISION: Lever Style Notes	DATE: 1-24-14
 <p>9100 & F9100 x YODT, Y*02R Note; * Denotes all Lever Design Styles VERTICAL ROD EXIT DEVICE (Wood Door)</p>		<p>TEMPLATE NUMBER T-9110WD ③</p>

RHR SHOWN
LHR OPPOSITE



NOTES:

1. SEE MASTER SHEET FINISHED FLOOR LINE OR TOP OF THRESHOLD
- #T-0001 FOR SUGGESTED DOOR REINFORCEMENT.
2. SEE ADDITIONAL DEVICE TEMPLATE WHEN REQUIRED.
3. TRIM WILL COVER STANDARD SDI CUTOUT.

REV. No. 3	REVISION: Lever Style Notes	DATE: 1-16-14
	<p style="text-align: center;">YODT, Y*02R</p> <p style="text-align: center;">Note; * Denotes all Lever Design Styles</p>	<p style="text-align: center;">TEMPLATE NUMBER</p> <p style="text-align: center;">T-9000 ③</p>