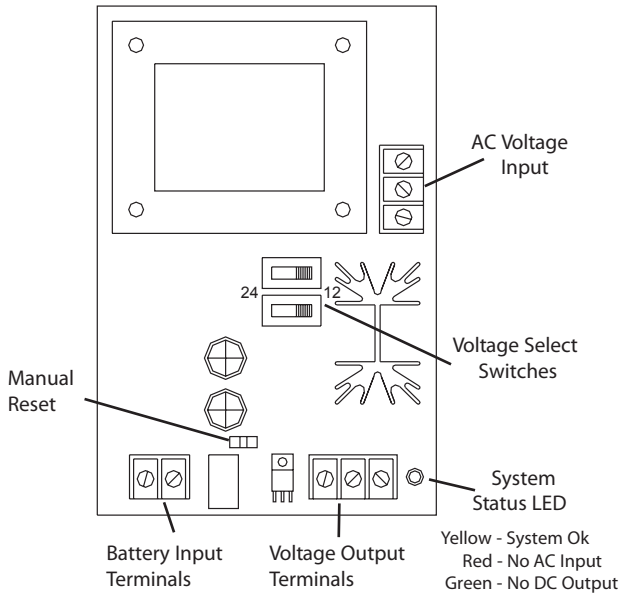
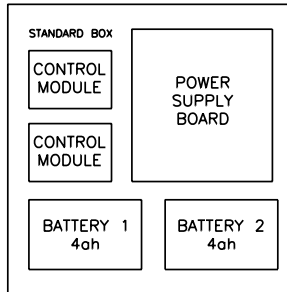


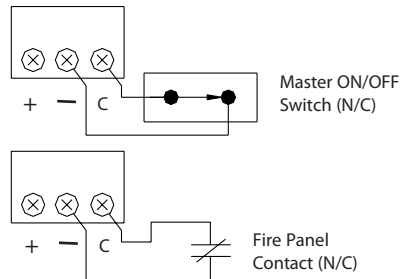
PS502RF POWER SUPPLY  
INSTALLATION INSTRUCTIONS



COMPONENT LOCATIONS



MAIN SYSTEM ON-OFF  
OR  
FIRE PANEL CONNECTION



Min. Switch  
or  
Contact Ratings  
100ma. @ 30vdc

POWER SUPPLY SPECIFICATIONS

Input Voltage: 115/230 VAC @ 60hz  
Input Current: 0.8 amps Max.

Output Voltage: 12/24 VDC  
(Regulated & Filtered)

Output Current: 1.0 amps  
Ripple Voltage: 0.05 Volts Max

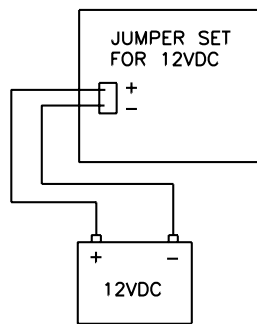
Battery Charger Max Current: 0.25 amps  
Maximum recommended battery size: 4ah  
(Replace batteries every 3 years.)

For wire gage chart, and to determine  
battery backup capacity refer to  
charts in the sales brochure.

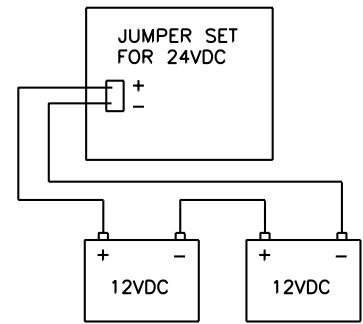
Suitable Uses:  
Electric Lock Power Supply  
Access Control Power Supply  
Burglar Alarm System Power Supply  
Fire Protective Signaling Service

NOT INTENDED TO POWER A LOCAL  
BURGLAR ALARM INDICATING DEVICE.

TEST UNIT YEARLY



12 Volt Mode Battery  
Connections



24 Volt Mode Battery  
Connections

