

NOTES

1. DO NOT SCALE DRAWING.
2. DIMENSIONS ARE IN INCHES/(mm).
3. TOP OF CEMENT CASE MUST BE FLUSH WITH FINISH FLOOR LINE.
4. CEMENT CASE MUST BE LEVEL AND PARALLEL TO FRAME.
5. INSTALL CEMENT CASE WITH CLOSER CENTERED IN CASE.
6. CHART VALID ONLY WHEN CORRESPONDING DOOR PORTION IS INSTALLED PER TEMPLATE.

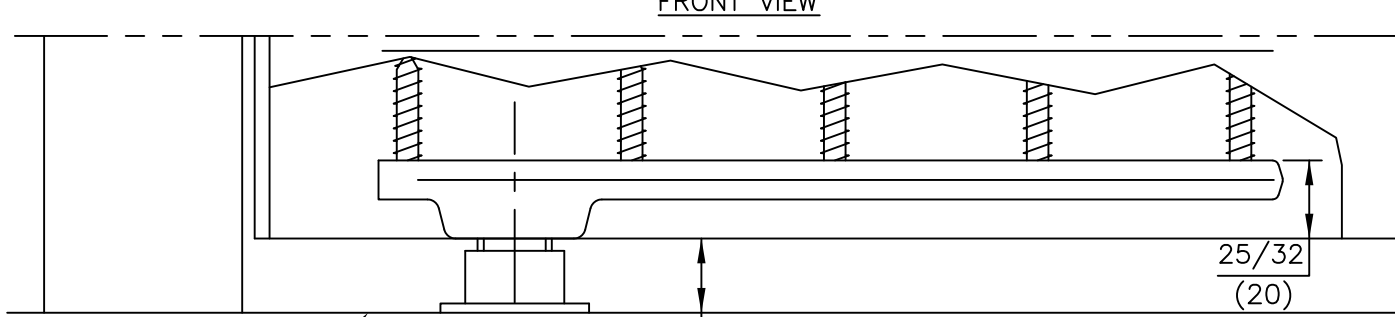
PKG (A,B)	CLEARANCE	PKG (G,H)
SPINDLE NO.		SPINDLE NO.
74003	5/16"	80003
74005	1/2"	80005
74007	5/8"	----
(STD.)74010	3/4"	80010
74012	13/16"	----
74015	7/8"	80015
74020	1-1/8"	80020
74025	1-5/16"	80025
74030	1-1/2"	80030
74035	1-11/16"	----
74040	1-7/8"	----
74045	2-1/16"	----
74050	2-5/16"	----

BTS 80 - 2-3/8 (60)
 BTS 75V - 2 (50)

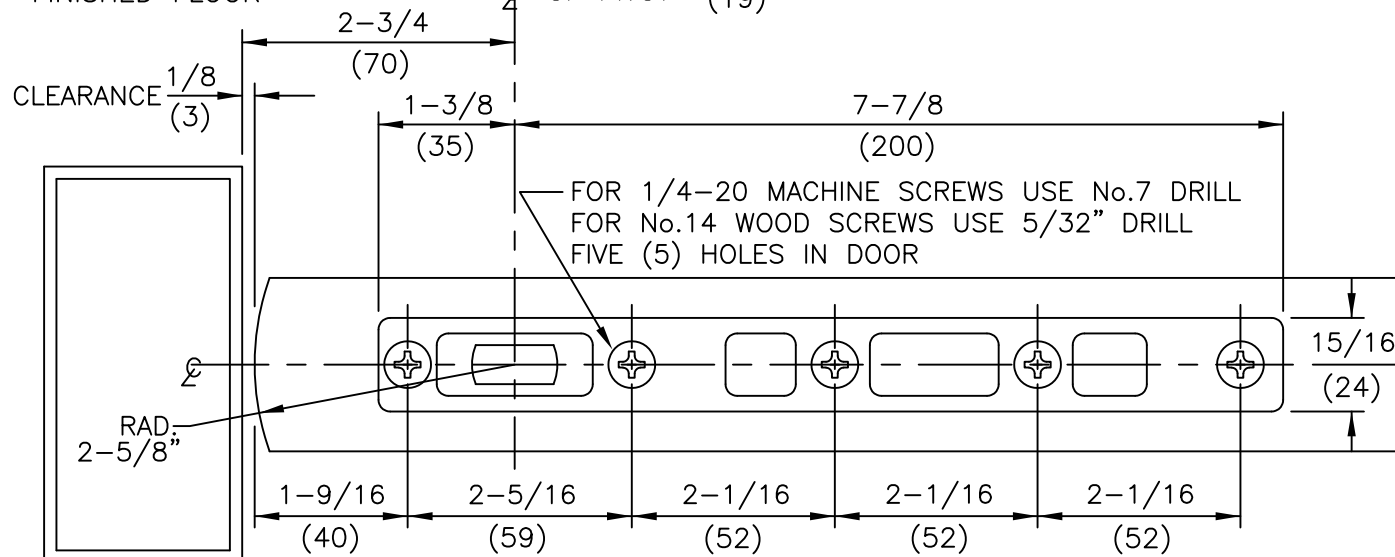
BTS 80 - 3-1/8 (78)
 BTS 75V - 3-1/4 (82)

THRESHOLD
 W/74010 SPINDLE
 W/80010 SPINDLE

FRONT VIEW



FINISHED FLOOR
 2-3/4 (70)
 CLEARANCE 1/8 (3)
 OF PIVOT
 3/4 (19) CLEARANCE (WITH 74010 SPINDLE)



BOTTOM VIEW

NOTES

1. DO NOT SCALE DRAWING.
2. DIMENSIONS ARE IN INCHES/(MM).
3. ALL NECESSARY REINFORCEMENT FOR ARM BY OTHERS.

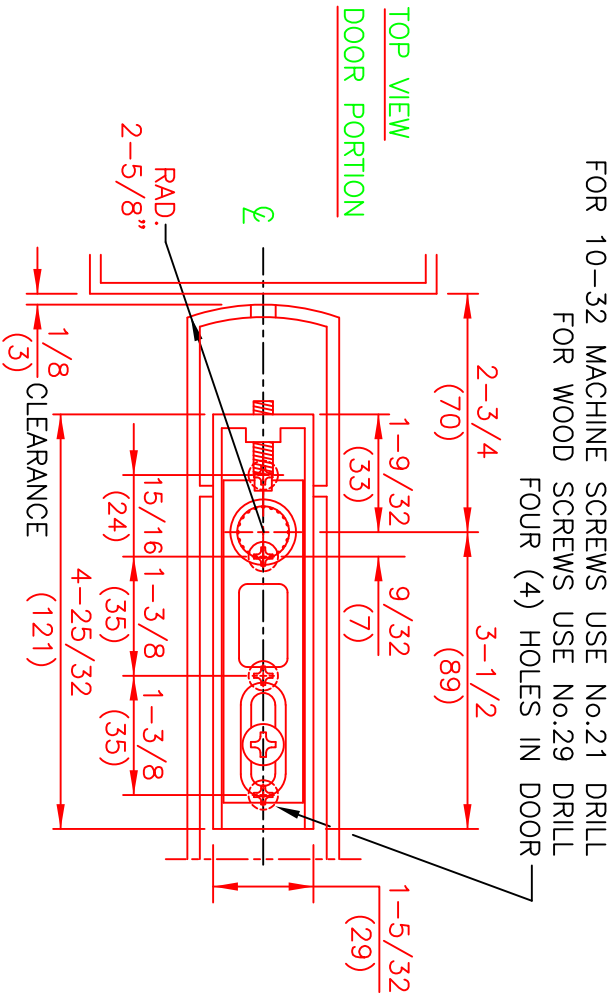
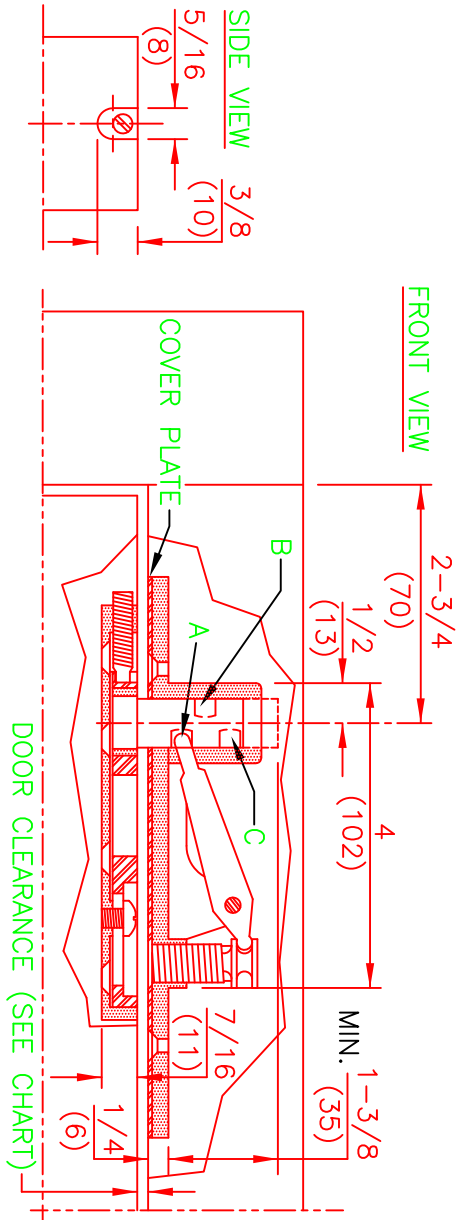
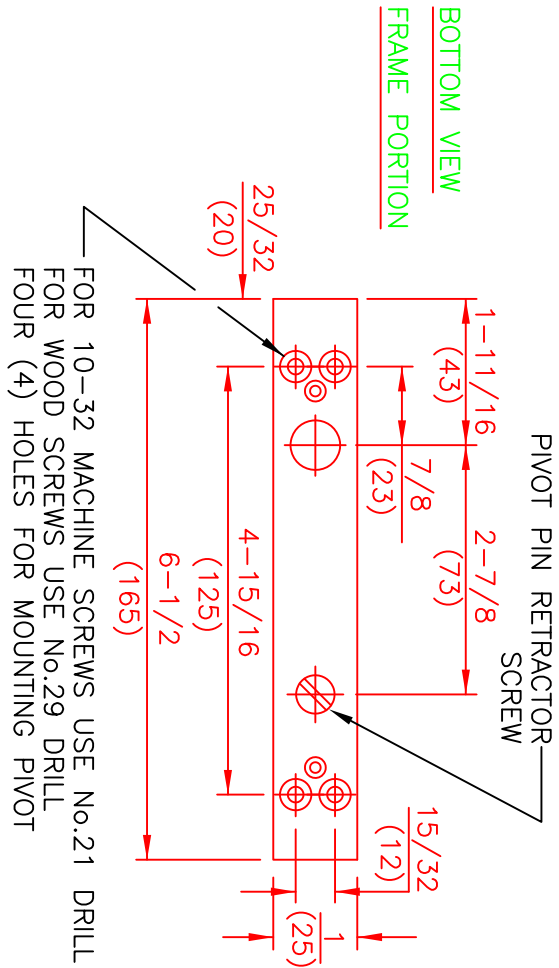
ITEM No. 7421
 CENTER HUNG BOTTOM ARM
 FOR USE WITH BTS 75, BTS 80, BTS 80EMB



dormakaba USA, INC.
 800 523 8483

- NOTES**
1. DO NOT SCALE DRAWING.
 2. DIMENSIONS ARE IN INCHES/(MM).
 3. ALL NECESSARY REINFORCING FOR PIVOTS BY OTHERS.
 4. PIVOT PIN DIAMETER .591/(15MM).
 5. PIVOT PIN PROJECTION IS ADJUSTABLE. SEE CHART FOR DOOR CLEARANCES.

DOOR CLEARANCE		
POSITION	STANDARD PIN	EXTENDED PIN
A	1/8"(3)	3/4"(19)
B	3/8"(10)	1"(25)
C	3/4"(19)	1-5/16"(33)



MODEL NO. 8062, 8062 EXT PIN
CENTER HUNG TOP PIVOT
FOR USE WITH BTS 75, BTS 80, BTS 80EMB