

FFL	Finished floor level	Pro Green ES 400 PRO	Weight
LW	Passage width	1-leaf	1-leaf
LH	Clearance height	LW 800-3000	ES 400 PRO 1 x 250 kg
H	Installation height	B min. = 2 x LW + 227 (without fixed part / with post width 115mm)	
X	Noticed	2-leaf	2-leaf
	According to EN 16005 / DIN 18650 Construction and testing principles for automatic. For doors, this dimension may only be 4 - 8 mm.	LW 1000 - 3000	ES 400 PRO 2 x 200 kg
		B min. = 2 x LW + 207 (without fixed part / without post width)	

Attention!
the safety equipment of the automatic door must correspond to the risk analysis according to DIN 18650

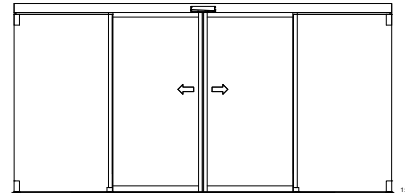
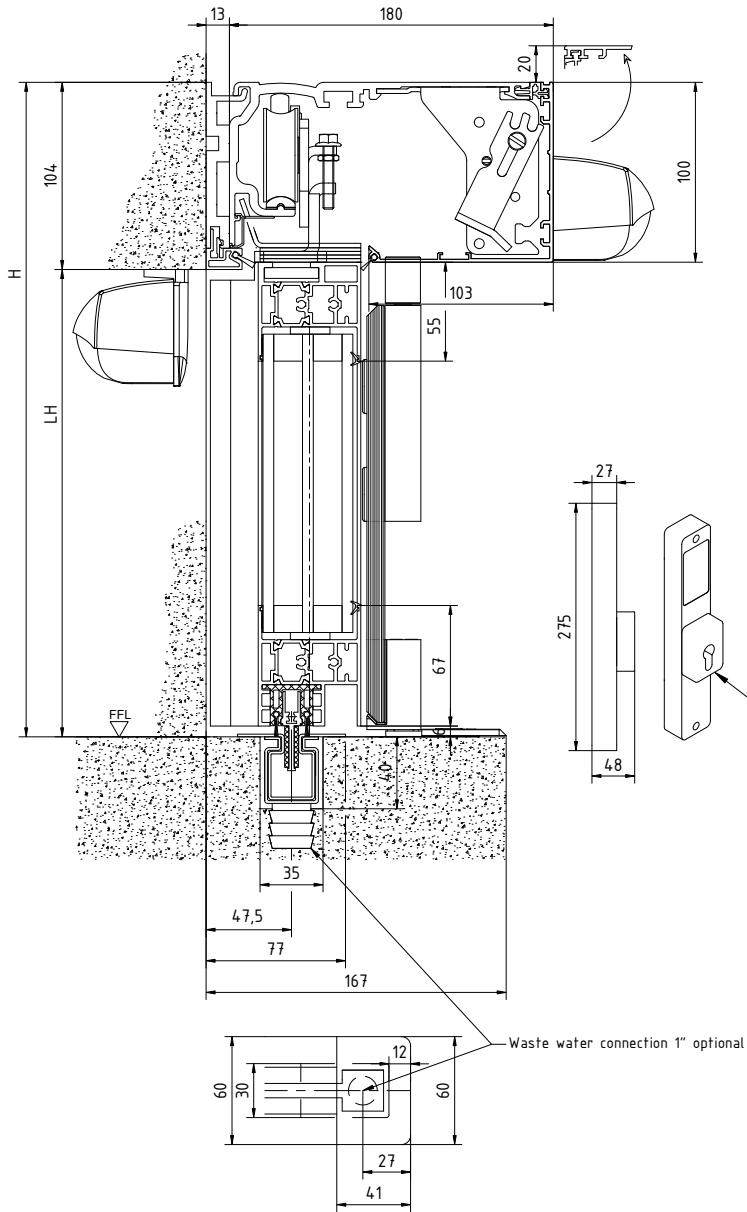
Make sure the screws are secure!
In the masonry with the in specified in the documentation anchors work.

RC2 anti-burglary class door glazing: Insulating safety glass according to DIN EN 356 P4A
RC3 anti-burglary class door glazing: Insulating safety glass according to DIN EN 356 P5A

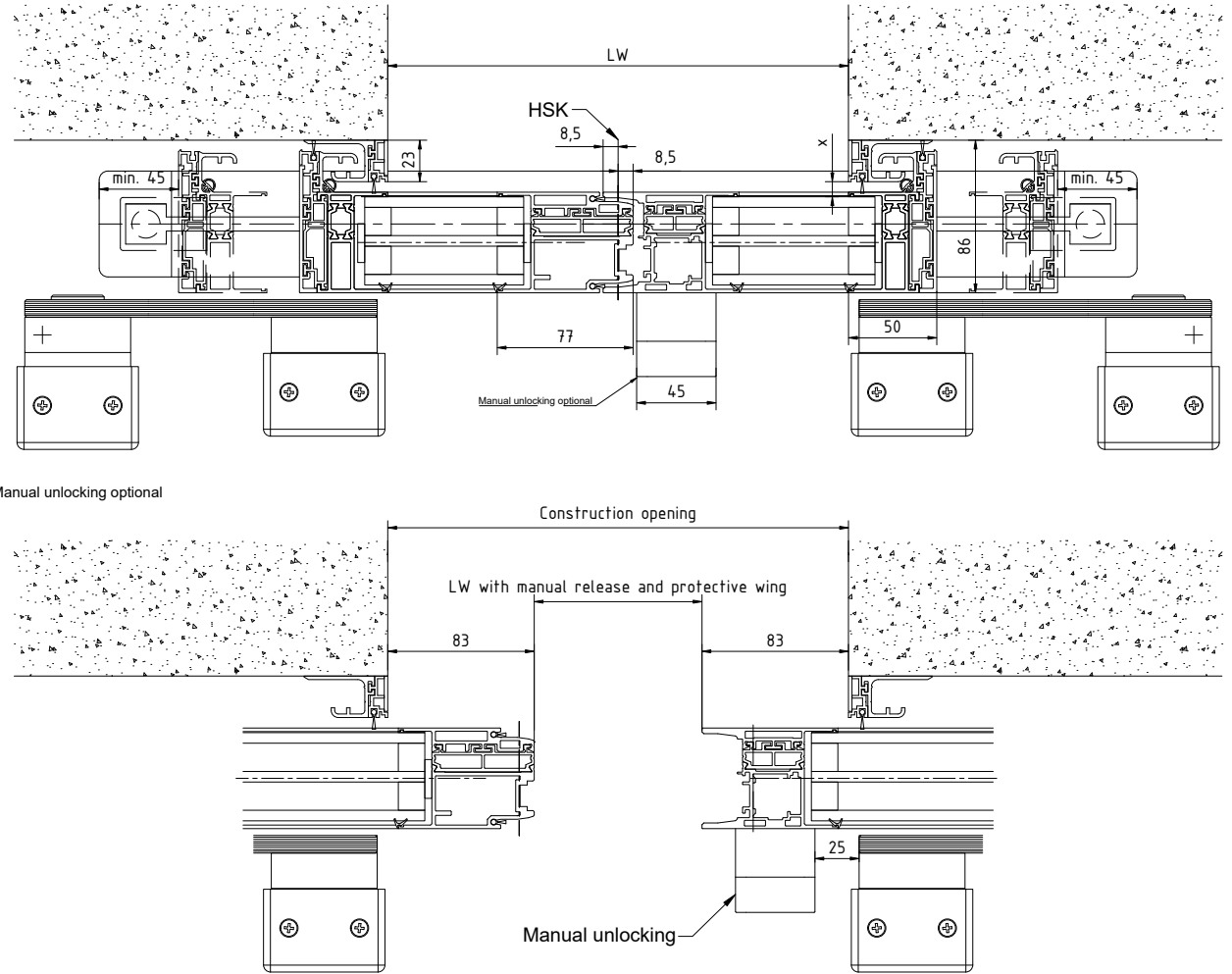
Manual unlocking
Usable: European profile cylinder (European profile cylinder 17 mm) 35 x 70mm according to DIN 18252 P2B2 (Half cylinder European profile 17 mm) 35 x 10 according to DIN 18252
For operation from the inside
KABA star Round cylinder D=22, Typ 1515, 32,5 x 72,5mm, Execution AW2 according to EN 1903
Half round cylinder 32,5/10 (CH)
For operation from the inside

1	ES PROLINE	1:1	257894-00-6-60
2	Insulating glass - without fixed part - recessed floor rail		

Technische Zeichnung
 2008
 2009
 2010
 2011
 2012
 2013
 2014
 2015
 2016
 2017
 2018
 2019
 2020
 2021
 2022
 2023
 2024
 2025



FFL	Finished floor level	Pro Green ES 400 PRO	Weight
LW	Passage width	1-leaf	1-leaf
LH	Clearance height	LW 800-3000	ES 400 PRO 1 x 250 kg
H	Installation height	B min. = 2 x LW + 227 (without fixed part / with post width 115mm)	
X	Noticed	2-leaf	2-leaf
According to EN 16005 / DIN 18650 Construction and testing principles for automatic: For doors, this dimension may only be 4 - 8 mm.		LW 1000 - 3000	ES 400 PRO 2 x 200 kg
		B min. = 2 x LW + 207 (without fixed part / without post width)	



Attention!
the safety equipment of the automatic door must correspond to the risk analysis according to DIN 18650

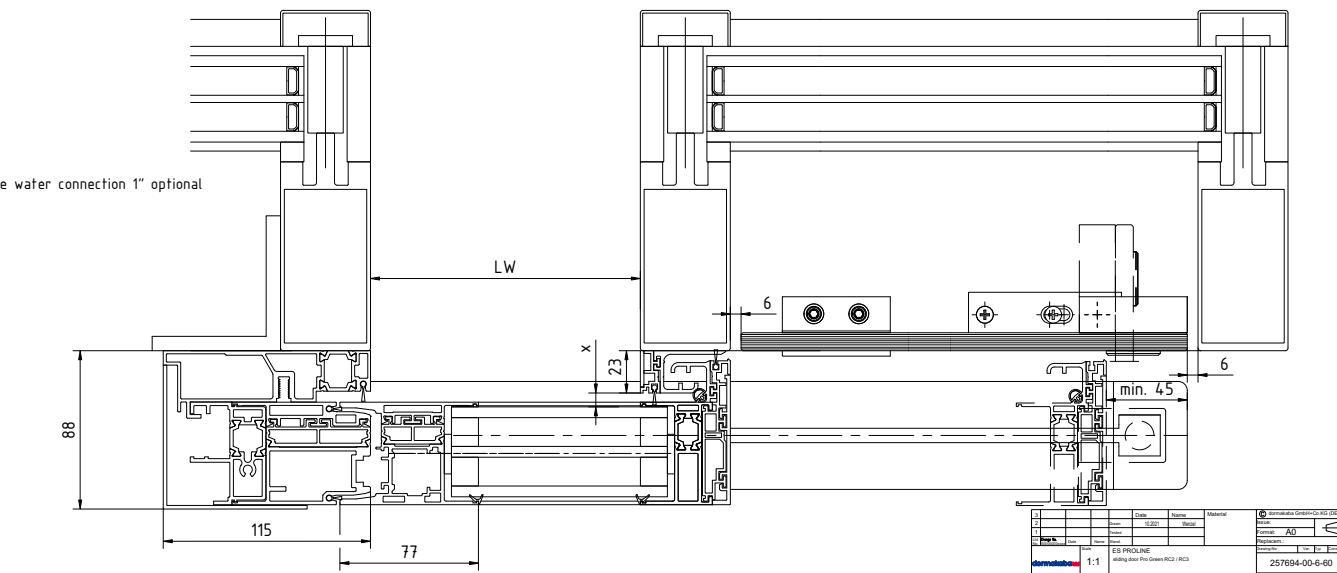
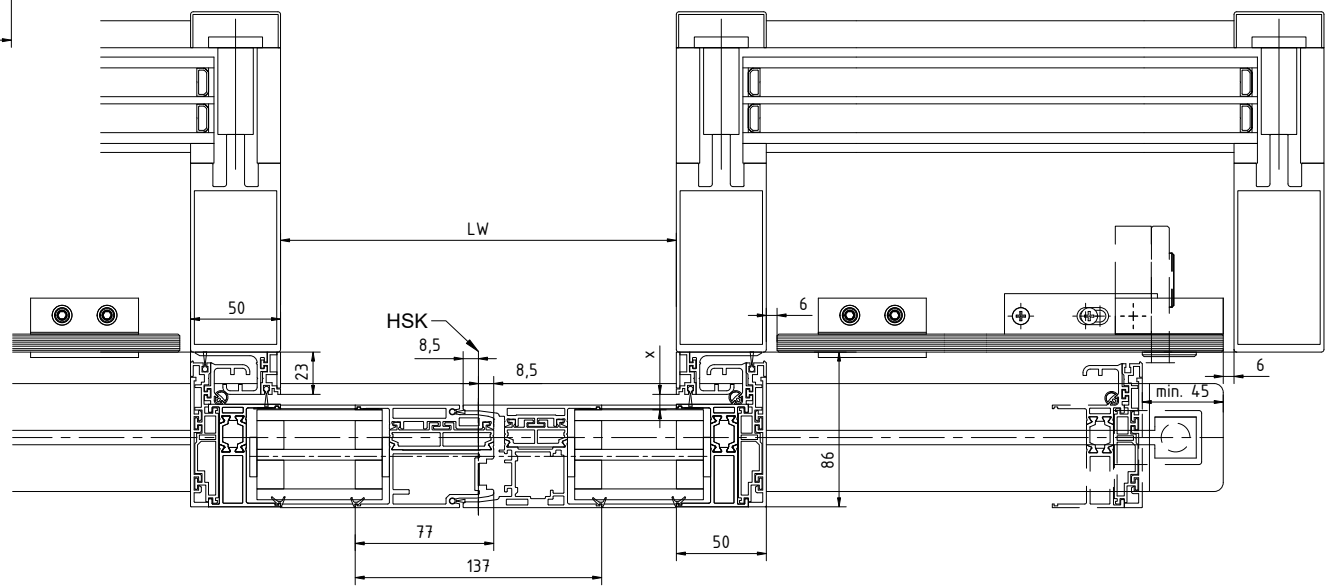
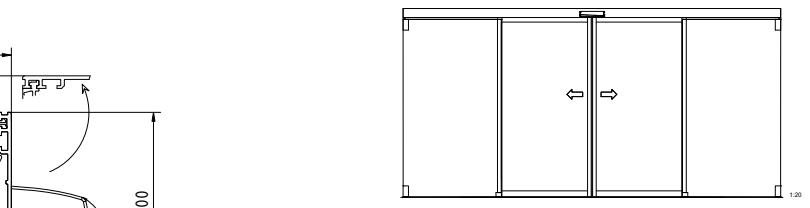
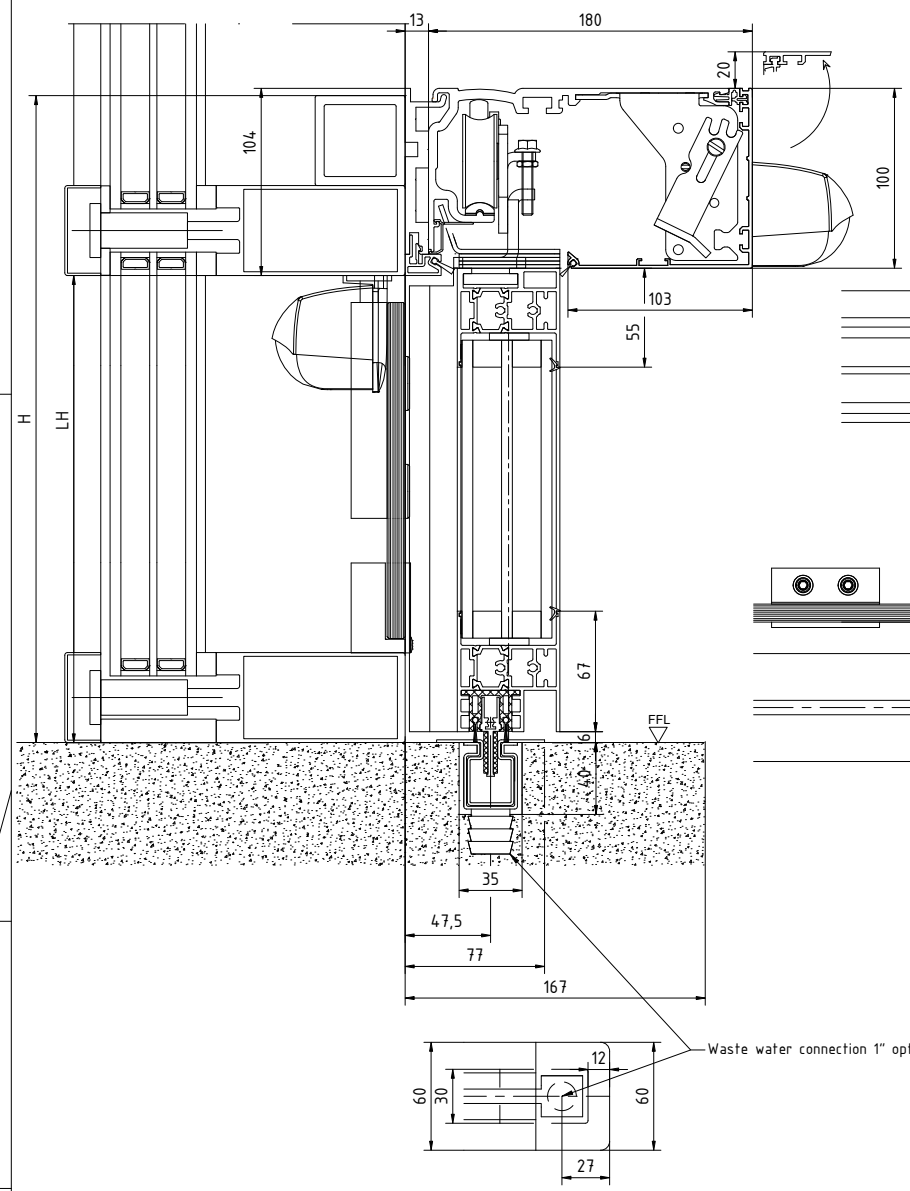
Make sure the screws are secure!
In the masonry with the in specified in the documentation anchors work.

RC2 anti-burglary class door glazing: Insulating safety glass according to DIN EN 356 P4A
RC3 anti-burglary class door glazing: Insulating safety glass according to DIN EN 356 P5A

Manual unlocking
Usable European profile cylinder
(European profile cylinder 17 mm) 35 x 70mm according to DIN 18252 P2B2
(Half cylinder European profile 17 mm) 35 x 10 according to DIN 18252
For operation from the inside:
KABA star Round cylinder D=22, Typ 1515, 32.5 x 72.5mm,
Execution AW2 according to EN 1303
Half round cylinder 32.5/10 (CH)
For operation from the inside

1	ES PROLINE	257894-00-6-60	1
2	ES PROLINE	257894-00-6-60	1
3	ES PROLINE	257894-00-6-60	1
4	ES PROLINE	257894-00-6-60	1
5	ES PROLINE	257894-00-6-60	1
6	ES PROLINE	257894-00-6-60	1
7	ES PROLINE	257894-00-6-60	1
8	ES PROLINE	257894-00-6-60	1
9	ES PROLINE	257894-00-6-60	1
10	ES PROLINE	257894-00-6-60	1

FFL	Finished floor level	Pro Green ES 400 PRO	Weight
LW	Passage width	1-leaf	1-leaf
LH	Clearance height	LW 800-3000	ES 400 PRO 1 x 250 kg
H	Installation height	B min. = 2 x LW + 227 (without fixed part / with post width 115mm)	
X	Noticed	2-leaf LW 1000 - 3000 B min. = 2 x LW + 207 (without fixed part / without post width)	2-leaf ES 400 PRO 2 x 200 kg
According to EN 16005 / DIN 18650 Construction and testing principles for automatic. For doors, this dimension may only be 4 - 8 mm.			



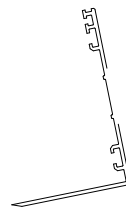
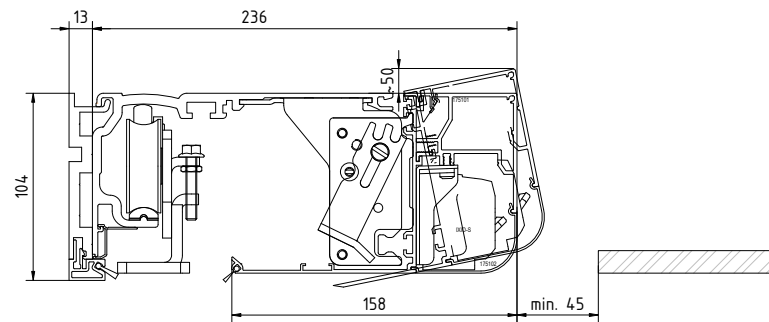
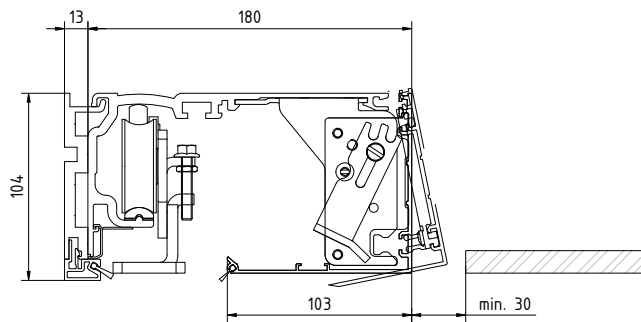
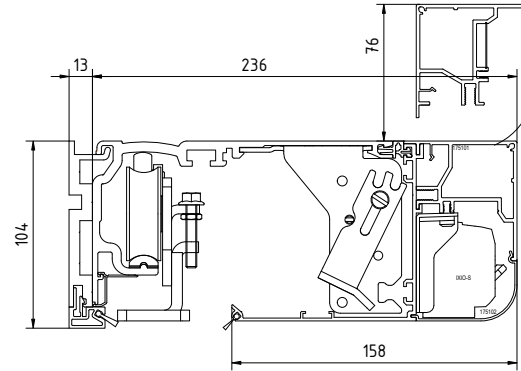
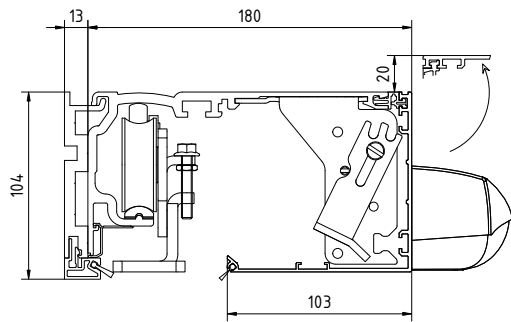
Waste water connection 1" optional

Make sure the screws are secure!
In the masonry with the in
specified in the documentation
anchors work.

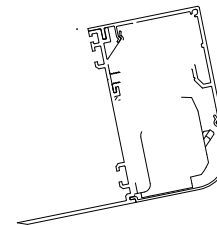
RC2 anti-burglary class door glazing: Insulating safety glass
according to DIN EN 356 P4A
RC3 anti-burglary class door glazing: Insulating safety glass
according to DIN EN 356 P5A

Attention!
the safety equipment of the automatic door must
correspond to the risk analysis according to DIN 18650

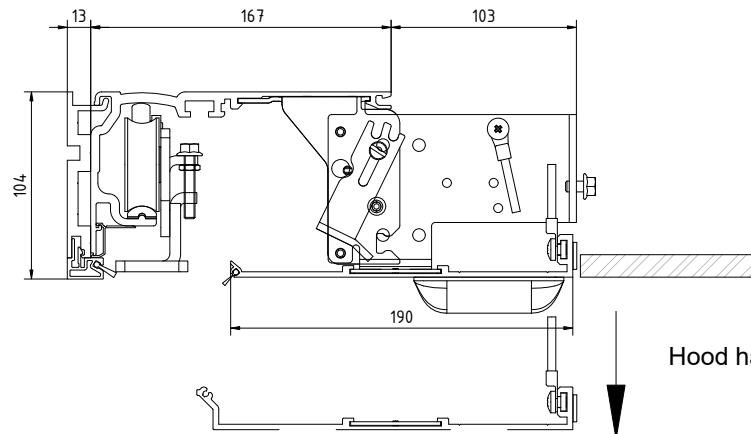
Rev.	Date	Name	Version	
1	10.2011	ES PROLINE	1	
ES PROLINE 257894-00-6-60 1:1 ES PROLINE 257894-00-6-60 1:1 ES PROLINE 257894-00-6-60 1:1				257894-00-6-60 1 00



Removable drive cover



Removable drive cover



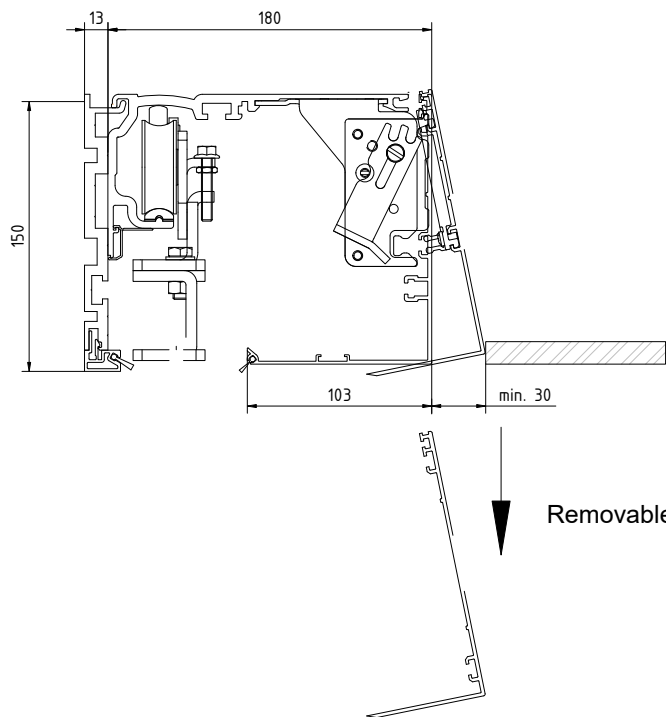
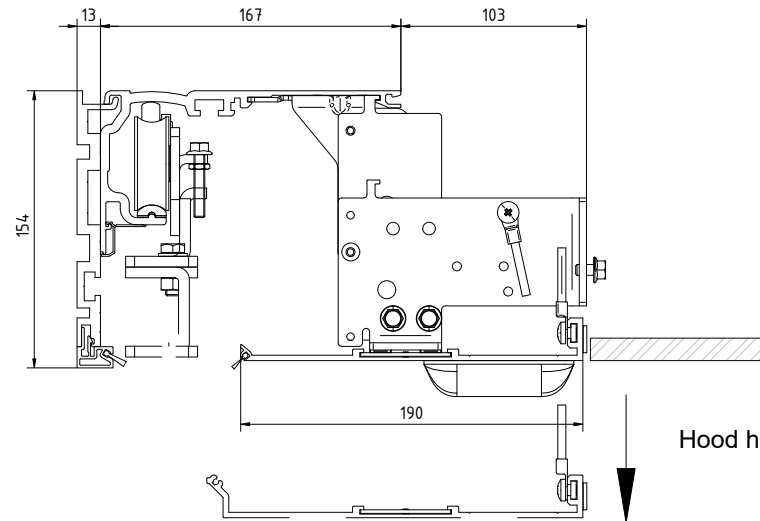
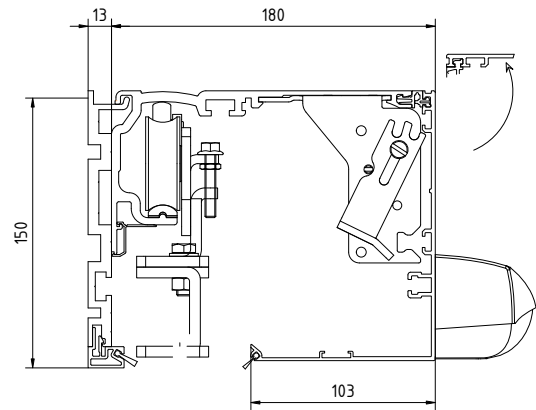
Hood hatch

Make sure the screws are secure!
in the masonry with the in-
specified in the documentation
anchors work.

RC2 anti-burglary class door glazing: Insulating safety glass
according to DIN EN 356 P4A

RC3 anti-burglary class door glazing: Insulating safety glass
according to DIN EN 356 P5A

№	Date	Name	Version	©
1	02.2011	Reise		
2		Reise		
3		Reise		
4		Reise		
5		Reise		
6		Reise		
7		Reise		
8		Reise		
9		Reise		
10		Reise		
11		Reise		
12		Reise		
13		Reise		
14		Reise		
15		Reise		
16		Reise		
17		Reise		
18		Reise		
19		Reise		
20		Reise		
21		Reise		
22		Reise		
23		Reise		
24		Reise		
25		Reise		
26		Reise		
27		Reise		
28		Reise		
29		Reise		
30		Reise		
31		Reise		
32		Reise		
33		Reise		
34		Reise		
35		Reise		
36		Reise		
37		Reise		
38		Reise		
39		Reise		
40		Reise		
41		Reise		
42		Reise		
43		Reise		
44		Reise		
45		Reise		
46		Reise		
47		Reise		
48		Reise		
49		Reise		
50		Reise		
51		Reise		
52		Reise		
53		Reise		
54		Reise		
55		Reise		
56		Reise		
57		Reise		
58		Reise		
59		Reise		
60		Reise		
61		Reise		
62		Reise		
63		Reise		
64		Reise		
65		Reise		
66		Reise		
67		Reise		
68		Reise		
69		Reise		
70		Reise		
71		Reise		
72		Reise		
73		Reise		
74		Reise		
75		Reise		
76		Reise		
77		Reise		
78		Reise		
79		Reise		
80		Reise		
81		Reise		
82		Reise		
83		Reise		
84		Reise		
85		Reise		
86		Reise		
87		Reise		
88		Reise		
89		Reise		
90		Reise		
91		Reise		
92		Reise		
93		Reise		
94		Reise		
95		Reise		
96		Reise		
97		Reise		
98		Reise		
99		Reise		
100		Reise		



Make sure the screws are secure!
In the masonry with the in
specified in the documentation
anchors work.

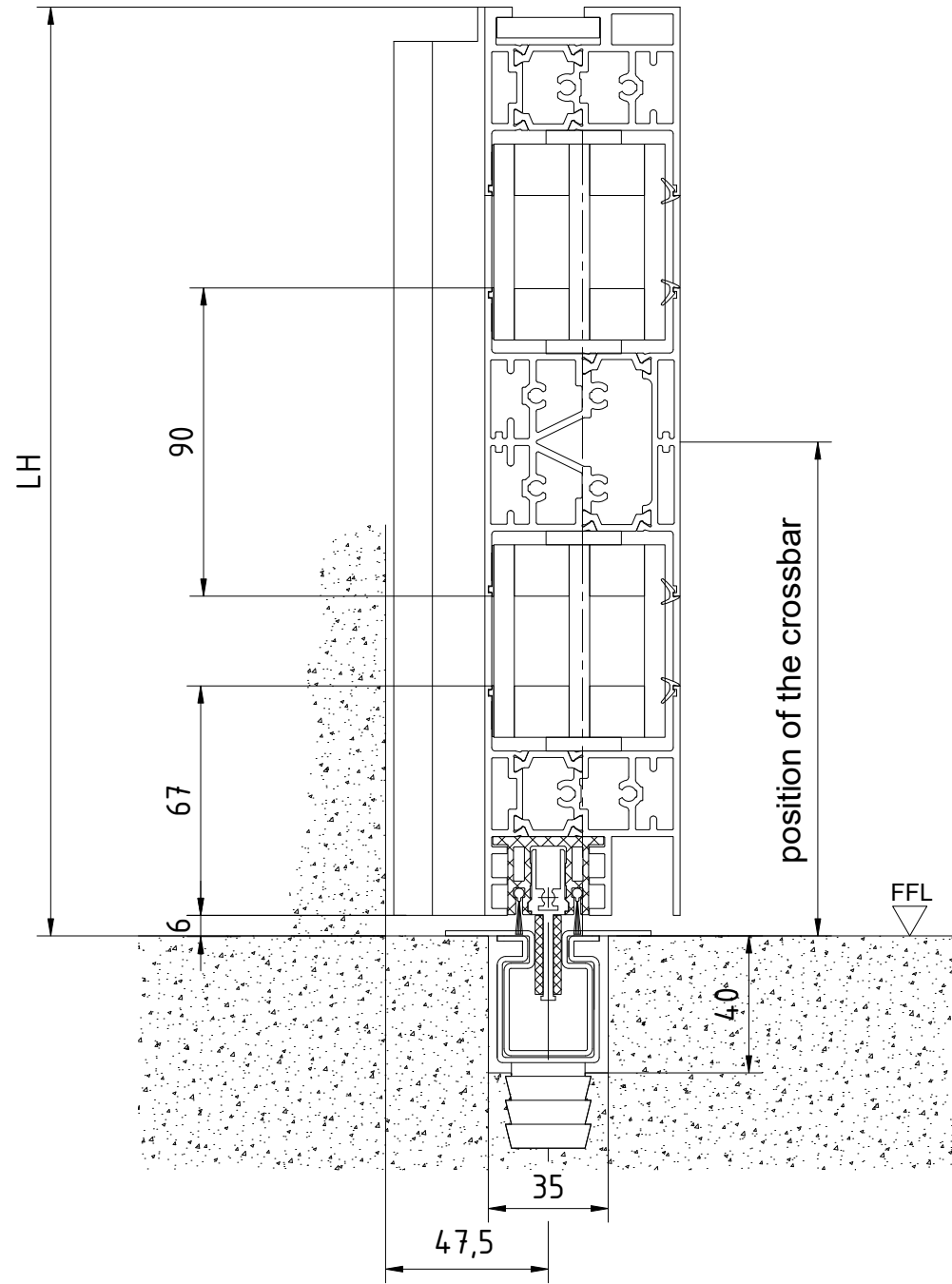
RC2 anti-burglary class door glazing: Insulating safety glass
according to DIN EN 356 P4A

RC3 anti-burglary class door glazing: Insulating safety glass
according to DIN EN 356 P5A

Rev.	Date	Name	Version	Scale	Material
1	10.01.2021	AD			
2					
3					
4					
5					
6					
7					
8					
9					
10					
11					
12					
13					
14					
15					
16					
17					
18					
19					
20					
21					
22					
23					
24					
25					
26					
27					
28					
29					
30					
31					
32					
33					
34					
35					
36					
37					
38					
39					
40					
41					
42					
43					
44					
45					
46					
47					
48					
49					
50					
51					
52					
53					
54					
55					
56					
57					
58					
59					
60					
61					
62					
63					
64					
65					
66					
67					
68					
69					
70					
71					
72					
73					
74					
75					
76					
77					
78					
79					
80					
81					
82					
83					
84					
85					
86					
87					
88					
89					
90					
91					
92					
93					
94					
95					
96					
97					
98					
99					
100					

ES PROLINE
257894-00-6-60
mechanical design

Distribution and reproduction of this document, use and communication of their content is not permitted, design for any reproduction. All rights reserved. Subject to the granting of patents or registration of utility models.



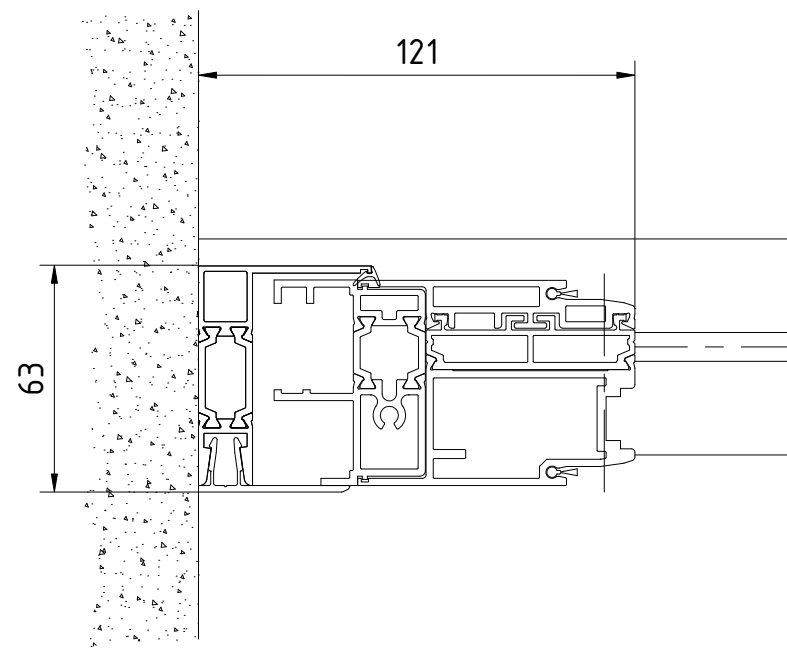
Make sure the screws are secure!
 In the masonry with the in
 specified in the documentation
 anchors work.

RC2 anti-burglary class door glazing: Insulating safety glass
 according to DIN EN 356 P4A

RC3 anti-burglary class door glazing: Insulating safety glass
 according to DIN EN 356 P5A

3			Date	Name	Material	© dormakaba GmbH+Co.KG (DE) Ennepetal Issue: Format: A2 Replacem.:
2		Drawn	10.2021	Wenzel		
1		Tested				
Change No.	Date	Name	Stand.			Drawing-No. Var. Typ Cond Sheet 257694-00-6-60 Var.:
dorkakaba Scale: 1:1	ES PROLINE sliding door Pro Green RC2 / RC3 crosses - insulating glass - without fixed part- recessed floor rail					ven. Bl.

Distribution and reproduction of this document,
 Use and communication of these contents is not permitted,
 design for any other purpose. All rights reserved. In the case
 of subject to the granting of patents or registration of other models.



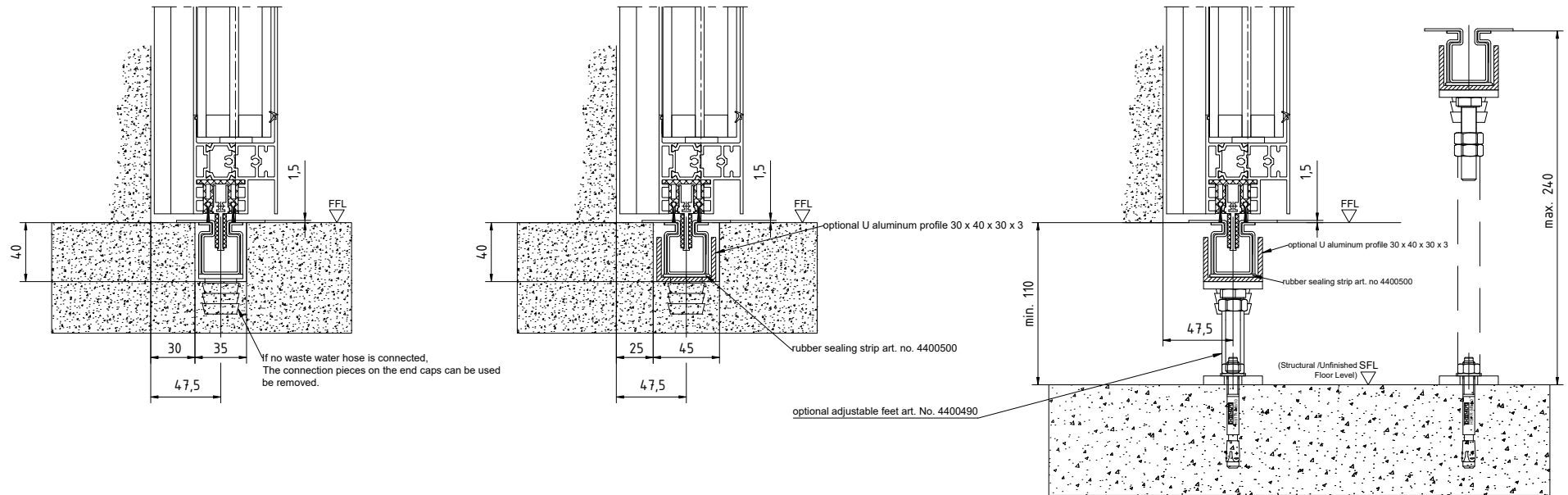
Make sure the screws are secure!
 In the masonry with the in-
 specified in the documentation
 anchors work.

RC2 anti-burglary class door glazing: Insulating safety glass
 according to DIN EN 356 P4A

RC3 anti-burglary class door glazing: Insulating safety glass
 according to DIN EN 356 P5A

3			Date	Name	Material	© dormakaba GmbH+Co.KG (DE) Ennepetal
2		Drawn	10.2021	Wenzel		
1		Tested				
Issue:						Replacem.:
Format: A2						
Drawing-No. Var. Typ Cond Sheet						1 von 01
Scale: 1:1						
ES PROLINE sliding door Pro Green RC2 / RC3						Drawing-No. Var. Typ Cond Sheet 257694-00-6-60 1 von 01
receiving pole - insulating glass - without fixed part - recessed floor rail						
Var.: 00						

Solutions for various construction situations. Each real situation is a particular case which must be clarified on site and may differ from these versions. The data can be found in the assembly instructions.



Make sure the screws are secure!
In the masonry with the in-
specified in the documentation
anchors work.

RC2 anti-burglary class door glazing: Insulating safety glass
according to DIN EN 356 P4A

RC3 anti-burglary class door glazing: Insulating safety glass
according to DIN EN 356 P5A

Rev.	Date	Name	Version
1			
2			
3			

ES PROLINE
 257894-00-6-60
 1:1
 00