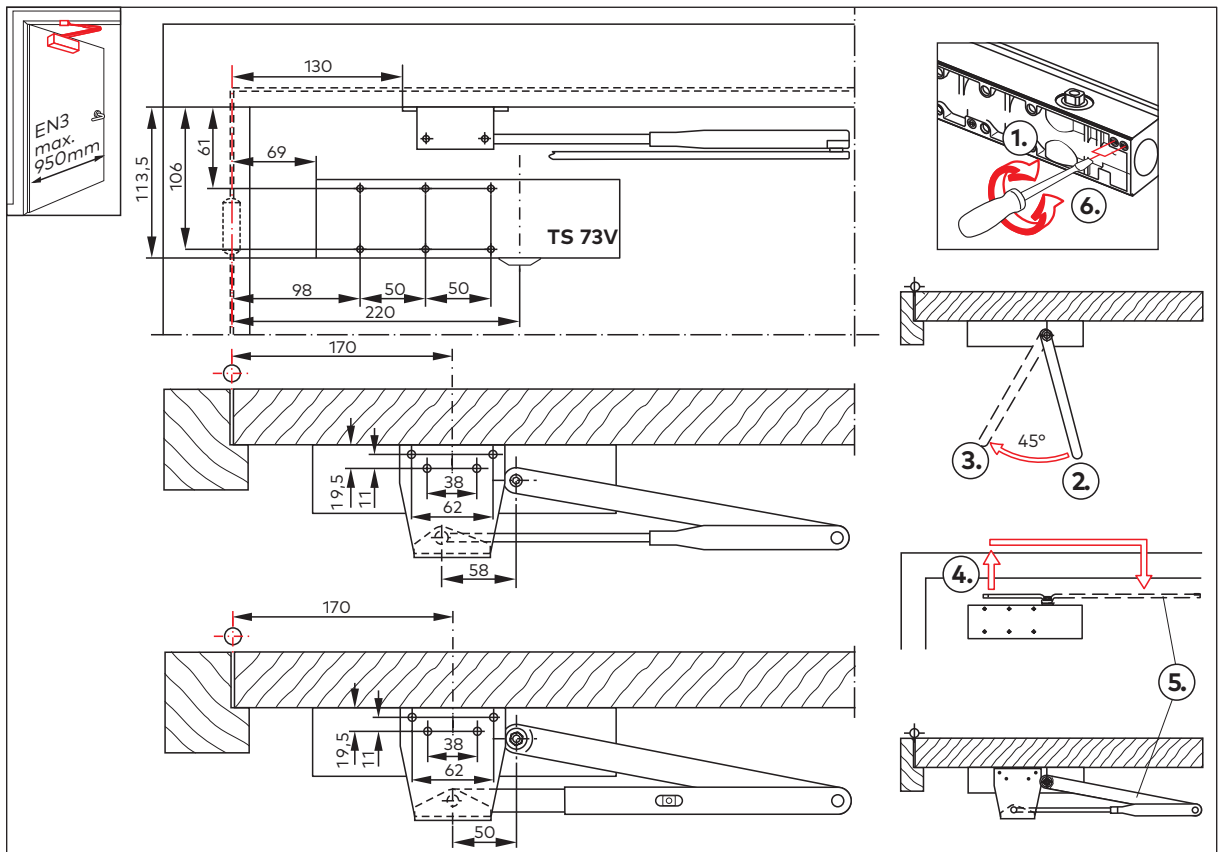
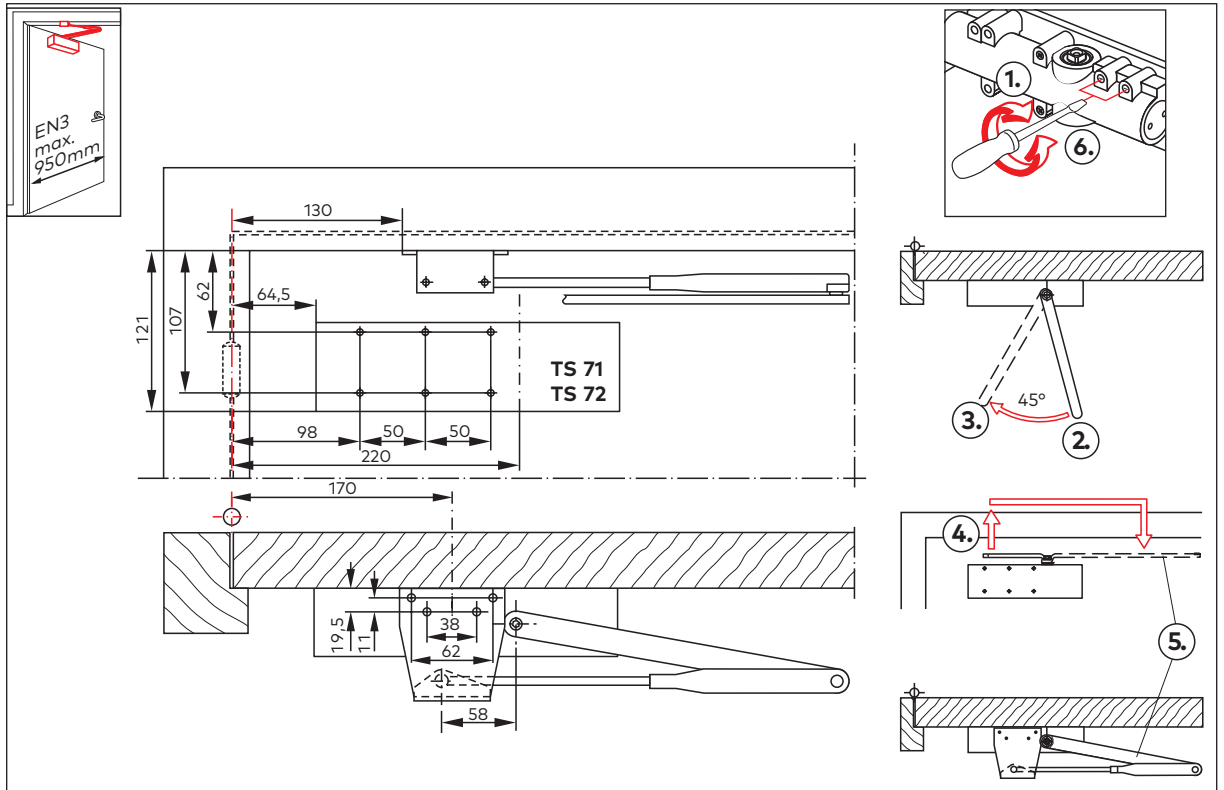


| | | |
|-----------|--|------------------|
| CE | dormakaba Deutschland GmbH Postfach 4009 58247 Ennepetal | 20 |
| | 0432-CPR-00026-33 | 2 2 |
| | EN 1154:1996/A1:2002/AC:2006 | 4 8 |
| | | 1 1 1 4 |

DOP_0183



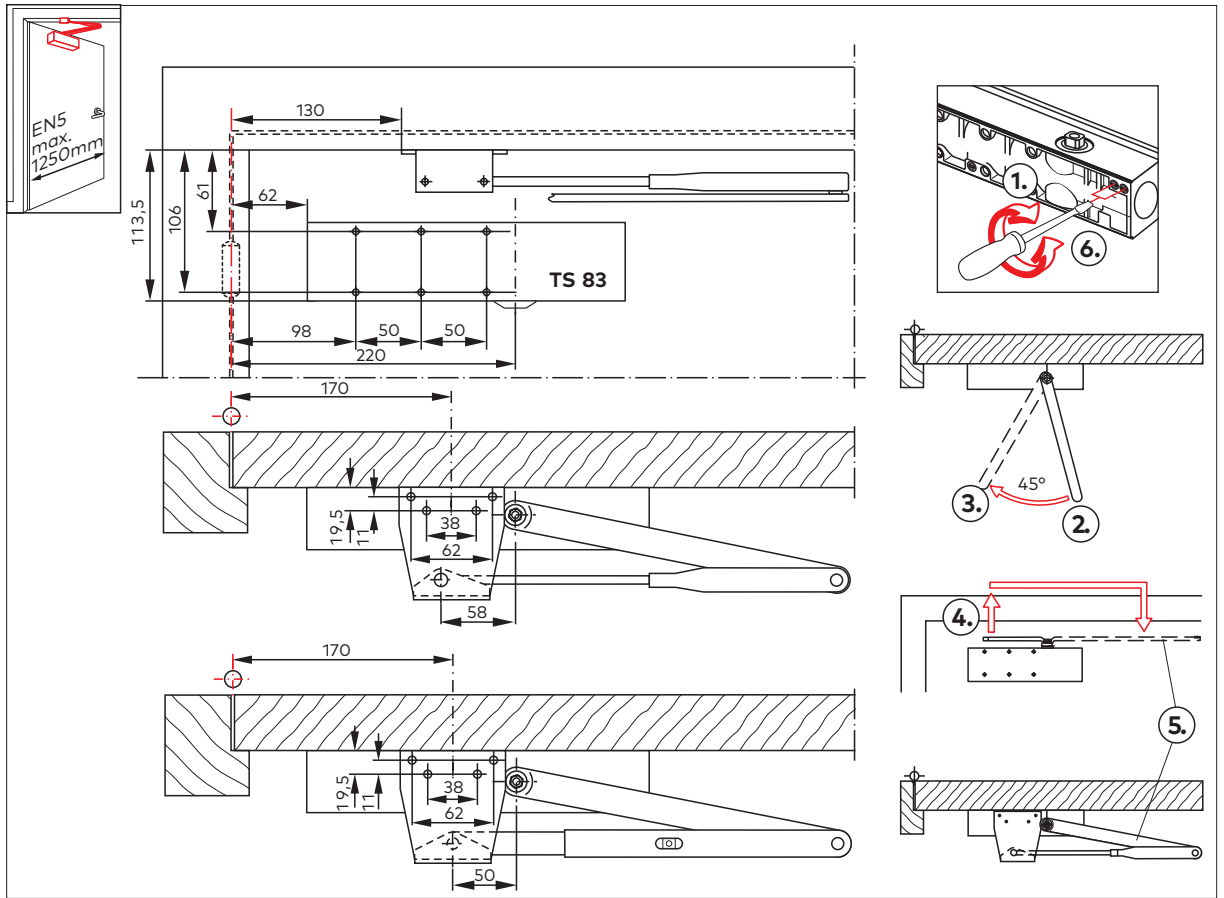
TS 71 / TS 72 / TS 73V TS 83

Mounting instructions

WN 056357 45532 - 2020-11

EN

| | | | | | | |
|------------------------------|--|-------------------|---|---|---|---|
| CE | dormakaba Deutschland GmbH Postfach 4009 58247 Ennepetal | 20 | 3 | 1 | 1 | 4 |
| | | 0432-CPR-00026-33 | 4 | 8 | 5 | 5 |
| EN 1154:1996/A1:2002/AC:2006 | | | | | | |
| DOP_0182 | | | | | | |



NOTE: DC function does not fulfill requirements of EN1154 in parallel arm mounting.