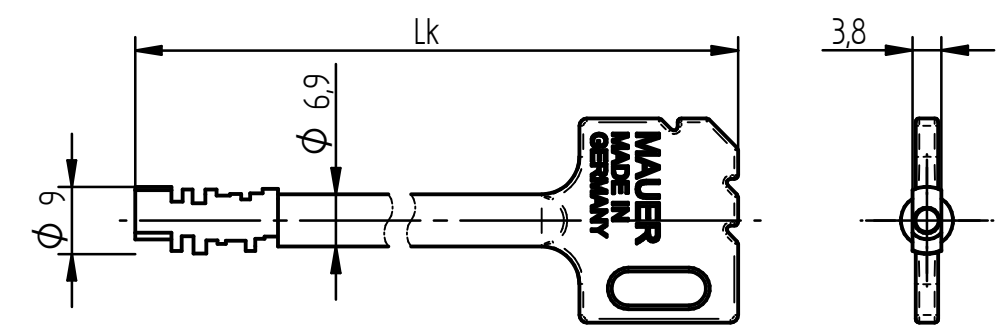
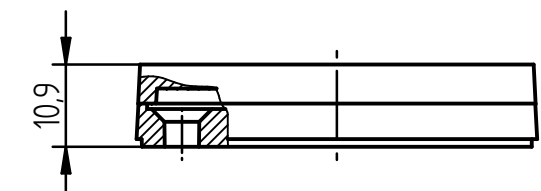


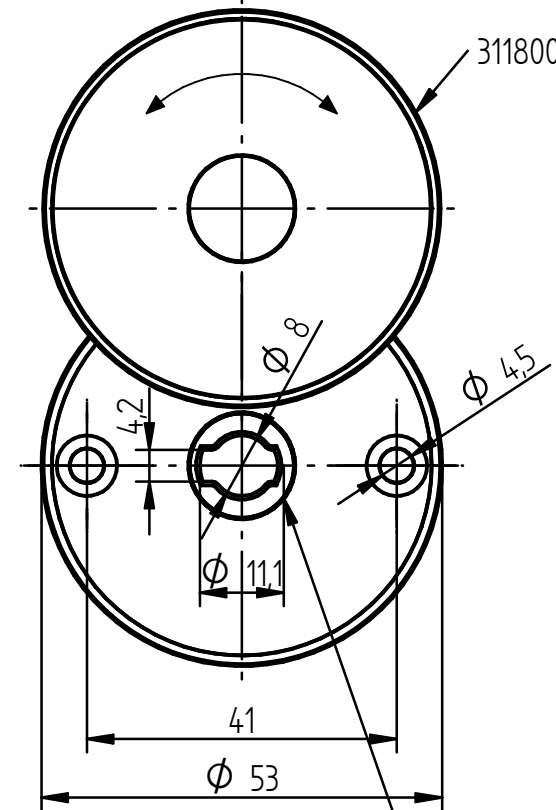
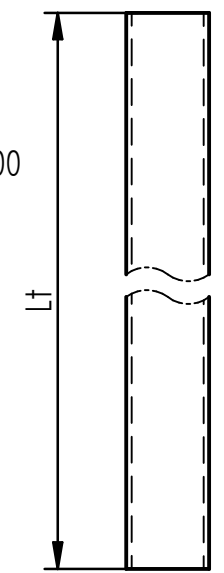
Schlüssel / Key



Schlüssellochverdeck
Key hole cover



Schlüsselführungsrohr
Key guiding tube



Schlüsselochseinsatz in 90° Schritten drehbar.
Key hole adjustable in 90° steps

Optionaler Mikroschalter/
optional Micro switch

