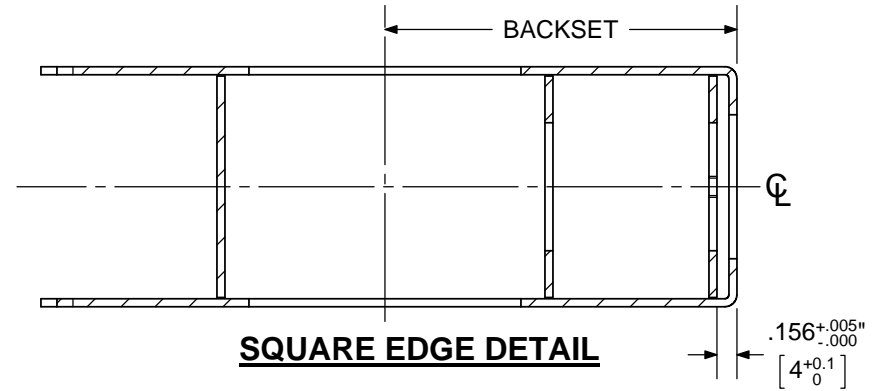
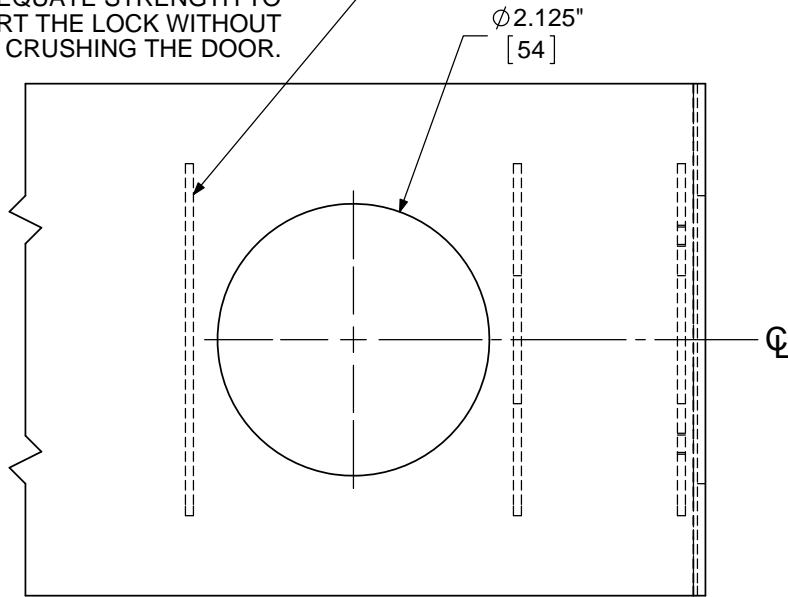


BEVELED EDGE DETAIL

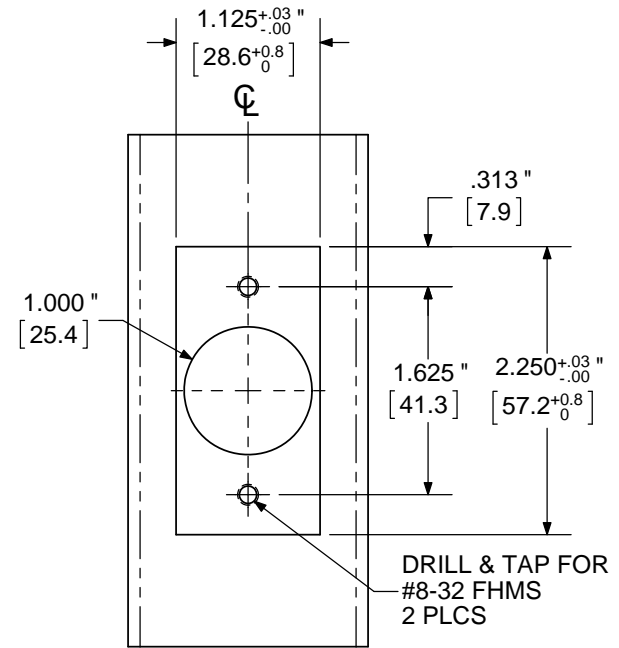


SQUARE EDGE DETAIL

NOTE: LATCH CASE AND LOCK CHASSIS SUPPORTS MUST BE DESIGNED TO PROVIDE ADEQUATE STRENGTH TO SUPPORT THE LOCK WITHOUT CRUSHING THE DOOR.



DOOR FACE DETAIL



DOOR EDGE DETAIL

NOTES:

1. DRAWING IS NOT TO SCALE.
2. DIMENSIONS ARE IN INCHES/[MM].

METAL DOORS FOR:
T910, T925, T940
FACE PLATE 1-1/8" FLAT OR BEVELED



DORMA USA, Inc.
Reamstown, PA 17567