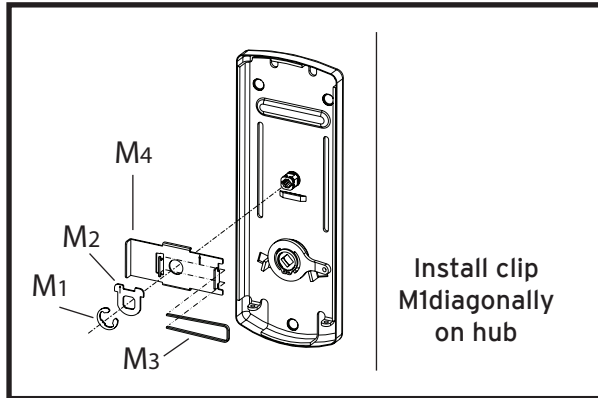
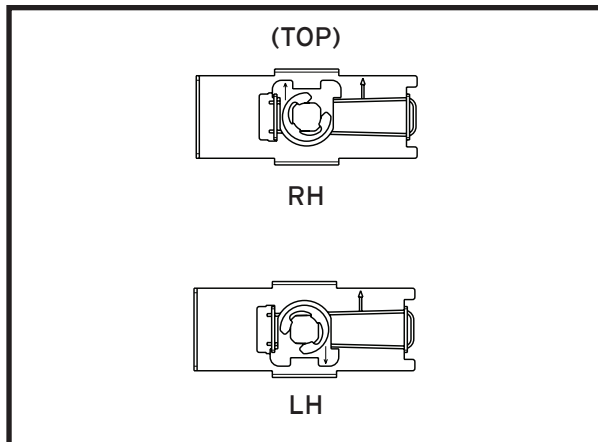


Generation E-760 Installation Instructions for Auto Deadbolt, Office and Storeroom

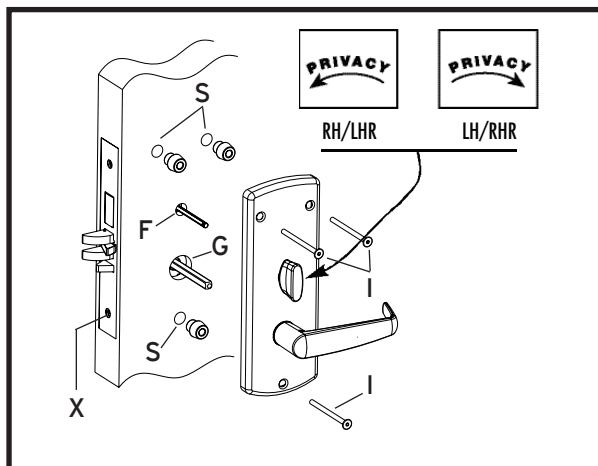
STEPS FOR AUTO DEADBOLT ASM • MODELS 76016 & 76017



If not already installed at the factory, put the thumbturn in the vertical position and install all four (4) parts (M) as shown, on the inside trim assembly.



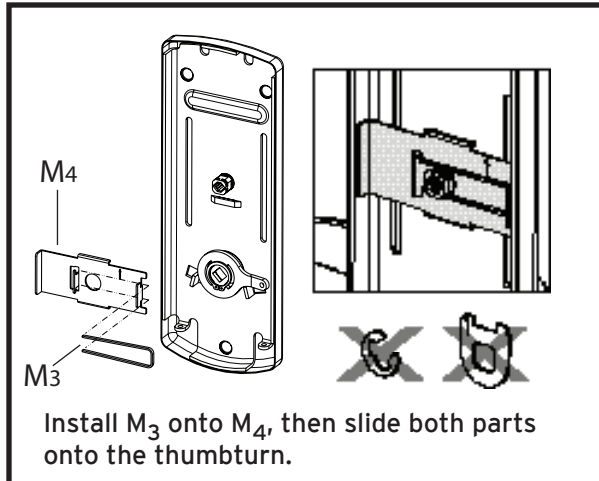
Turn the thumbturn all the way to the right for a RH installation (arrow on M2 points UP), or all the way to the left for a LH installation (arrow on M2 points DOWN). The thumbturn should stop in the vertical position, and the stopper cam (M2) will be in the position illustrated.



Place 3 spacers (S) on the door (for recent models only). Place the inside trim assembly on the door so that the upper and lower spindles (F) and (G) engage the thumbturn and the inside lever. Fasten to the outside housing using the three 1/8" hex head mounting screws (I).

Apply the privacy thumbturn sticker as shown. If in doubt as to the direction of the arrow, press the auxiliary latch (X) to extend the deadbolt, and verify in which direction to rotate the thumbturn to reach the horizontal (privacy) position.

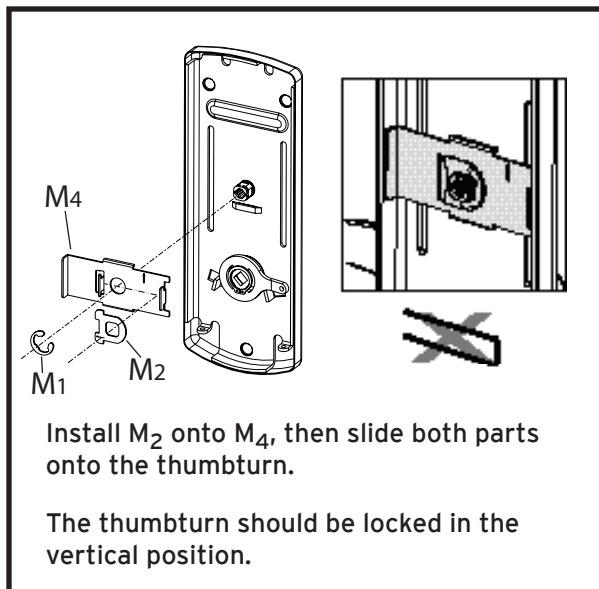
STEPS FOR ASM OFFICE • MODELS 76112 & 76113



DO THE FOLLOWING BEFORE PLACING THE INSIDE TRIM ASSEMBLY ON THE DOOR:

Install only parts (M₃ and M₄) as shown, on the inside trim assembly.

STEPS FOR ASM/ESM STOREROOM • MODELS 76112, 76113, 76131



DO THE FOLLOWING BEFORE PLACING THE INSIDE TRIM ASSEMBLY ON THE DOOR:

Put the thumbturn in the vertical position and install only parts (M₂ and M₄) as shown, on the inside trim assembly. The notch on the stopper cam (M₂) must engage the tab on the plate (M₄), so that the thumbturn is locked in the vertical position.

Technical Support

Call 1-877-468-3555
or 1-514-340-9025