

# dormakaba digital cylinder

## A Smart Solution for your door



 Wireless

 Mobile Access



### Benefits at a glance

- **Contribution to Sustainability:**  
System upgrades possible without cylinder replacement, high-quality design and repair concept offered
- **Installed quickly:**  
Upgrade rapidly from a mechanical lock to smart electronic access control
- **High-Quality Design:**  
Award-winning knob design provides optimal haptic experience
- **Built in a modular concept:**  
Length adjustments on site by dormakaba partner possible ( subject to market)
- **Seamlessly integrated:**  
Works in all dormakaba system solutions
- **High level of Security:**  
Security-related functions are protected within the cylinder core; high anti-drilling protection also available
- **Supports Mobile Access::**  
Convenient, seamless access through smartphone via the dormakaba app

### Smart and User-Friendly Access Control

With the dormakaba digital cylinder, accessing your premises becomes easier and more secure. With its high-quality, award-winning design and space- and time-specific programmability, you can enhance your security by setting up an easy-to-use access control.

The handling is convenient: simply hold your valid RFID card, key fob, or smart key to the outside knob. The light ring briefly lights up green, and you can enter.

As an option, you also are able to send access rights to smartphones so they can be used as access media.

### Smart Technology supporting RFID, NFC and Bluetooth®

The smart digital cylinder is part of our comprehensive standalone dormakaba evolo portfolio and supports NFC, Bluetooth®, and the latest RFID technologies.

Our digital cylinder is also available with the wireless function: access rights are transmitted wirelessly and in real time from your PC to the door components. This offers considerable benefits in terms of security, convenience, programming efficiency and maintenance.

The modular design concept and removable knobs make installation particularly simple and fast.

### Wide range of products and versatile application areas

Our digital cylinder portfolio includes not only the standard version, but also dual, half, and antipanic cylinders, which you can combine with a variety of options. Therefore, you can use the digital cylinder for any door in the interior or weather-protected outdoor area. The electronics work reliably, even in extreme temperatures.

The digital cylinder can be used in many applications, from a single door to large access systems, providing secure and seamlessly controlled access. For controlled access to cabinets we offer a version with cam lock, while for server cabinets a half cylinder with selectable rotation range is available.

## Easy installation

Both external and internal doors can be equipped with the digital cylinder. Install it easily onto the existing door within just a few minutes: the inner knob is clicked on without any extra tool.

## Modular design

Both the internal and external knob can be dismantled for easy installation. The cylinder length can be adjusted by your specialist partner on site if required (market-dependent).

## Simple step-by-step programming

The digital cylinder is easy to program and suitable both for individual doors and as an element of a large access system. Depending on the selected features and administration software, different programming options are available: Access rights can be transmitted either remotely from your PC, with the programming device, via app or with the programming master card directly on site, onto the digital cylinder.

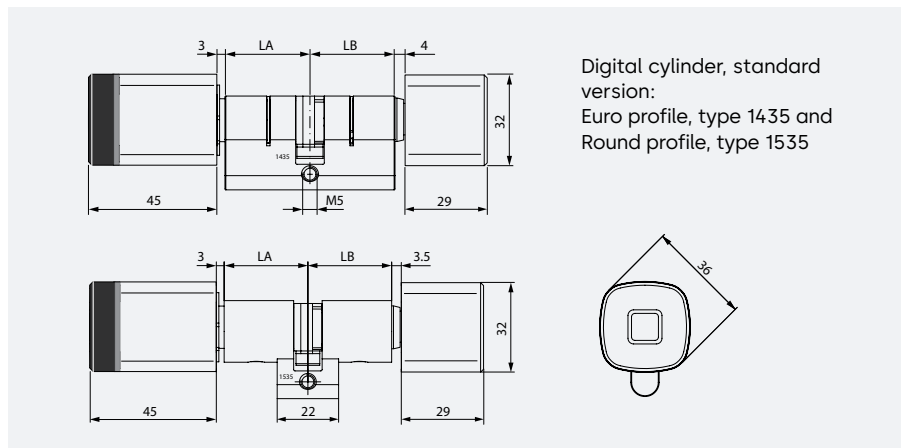
## Key features

The device software supports all dormakaba system solutions. Main functions:

- Number of access media: - with whitelist up to 4,000  
- with CardLink or Access on Card (AoC): nearly unlimited
- Internal clock and configurable time profiles
- Time-limited assignment of access rights (validation)
- Saving of last 2,000 door events (can be disabled)

## One unified, universal portfolio

Our product portfolio includes many further products in the same high-quality design that can be seamlessly combined among each other.



## Our Sustainability Commitment

dormakaba is committed to foster a sustainable development along our entire value chain. In order to give quantified disclosures of a product's environmental impact and its ecological footprint, dormakaba provides Environmental Product Declarations (EPDs).

Download the EPD and read more about our sustainability commitment [here](#) or use the QR code provided.

**Note:** The scope of this product's functions depends on the system environment selected. Further details and order information can be found in the relevant dormakaba catalogue or system description.

Subject to technical changes without prior notice. Version 07/2024. © dormakaba.



## Technical information

### Transmission technologies

- RFID identification:
  - LEGIC advant, ISO 14443A
  - MIFARE DESFire, ISO 14443A
  - OSS-SO version 2021-06: LEGIC advant, MIFARE DESFire
- Mobile identification:
  - Near Field Communication (NFC)
  - Bluetooth® Low Energy (BLE)
- Wireless technology:
  - IEEE 802.15.4, 2.4 GHz

### Designs & Versions

- Available designs: Standard, half, dual, anti-panic, without internal knob
- Euro profile, round profile, oval profiles (Scandinavia, Australia), ANSI
- Finishes: nickel-plated (stainless steel look), polished brass, black, matt chrome-plated
- 'Protected' option: increased anti-drill resistance
- Antenna cover: black or white

### Dimensions

- Cylinder length: from 25/20 mm (round profile version: from 25/25 mm), extendable in 5-mm steps
- Max. cylinder length: 220 mm
- External knob: Ø 36 x 45 mm
- Internal knob: Ø 36 x 29 mm
- Small internal knob: Ø 30 x 27 mm

### Power supply

- Battery: 1 x 3 V CR2 lithium

### Environment / service life

- Temperature: -25 °C to +70 °C
- Protection class of external knob: IP56
- Battery service life at 20 °C: up to 70,000 cycles or up to 2 years

### Certificates

- Mechatronic locking cylinders: EN 15684: 1 6 B 4 A F 3 2
- Increased drilling protection: Option 'Protected': VdS class BZ+
- Fire safety: EN 1634-2: 95 mins
- Solutions for emergency exits according to EN 179 as well as panic doors according to EN 1125 can be realised

### Environmental product declaration: EPD

- Declaration no.: EPD-DOR-20230097-CBA1-EN
- Under ISO 14025 and EN 15804+A2
- Publisher and declaration holder: Institut Bauen und Umwelt e.V.

**Any questions? We will be happy to assist you.**

dormakaba International Holding AG | Hofwisenstrasse 24 | CH-8153 Rümlang | info.de@dormakaba.com | dormakaba.com