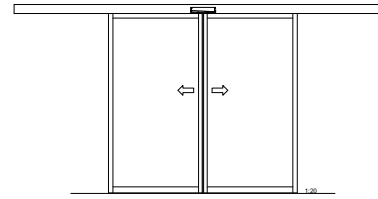
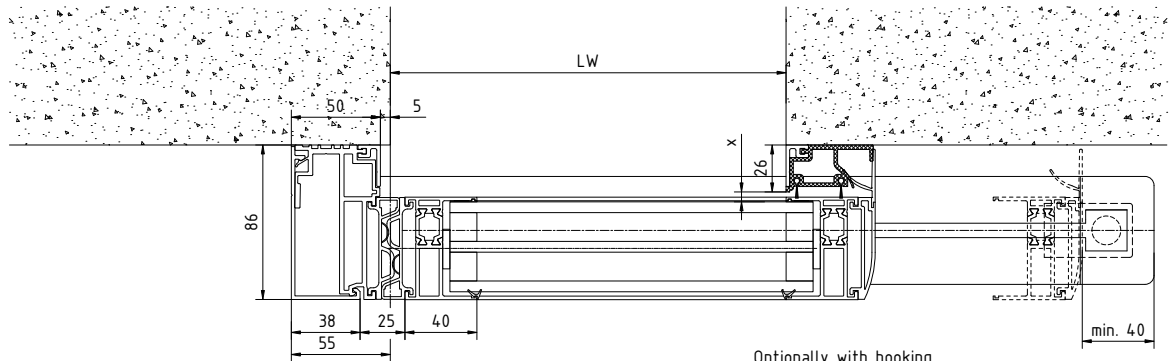
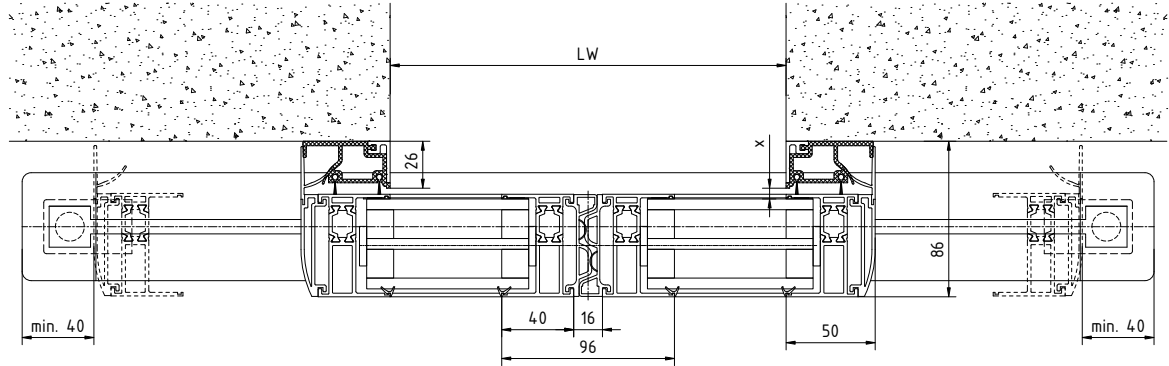


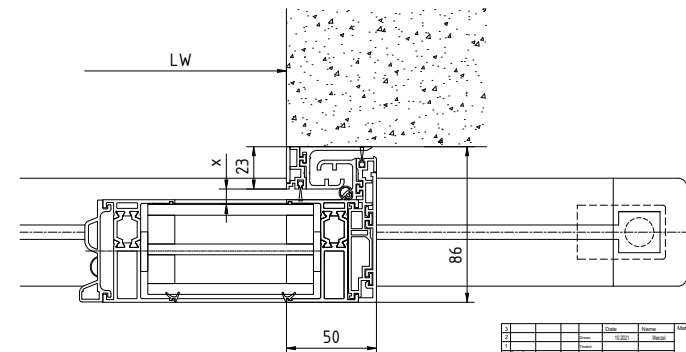
Attention !  
The safety equipment of the automatic door must correspond to the risk analysis according to DIN 18650



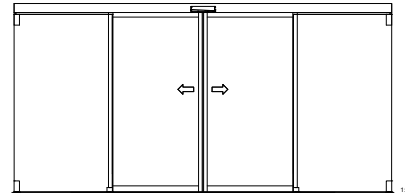
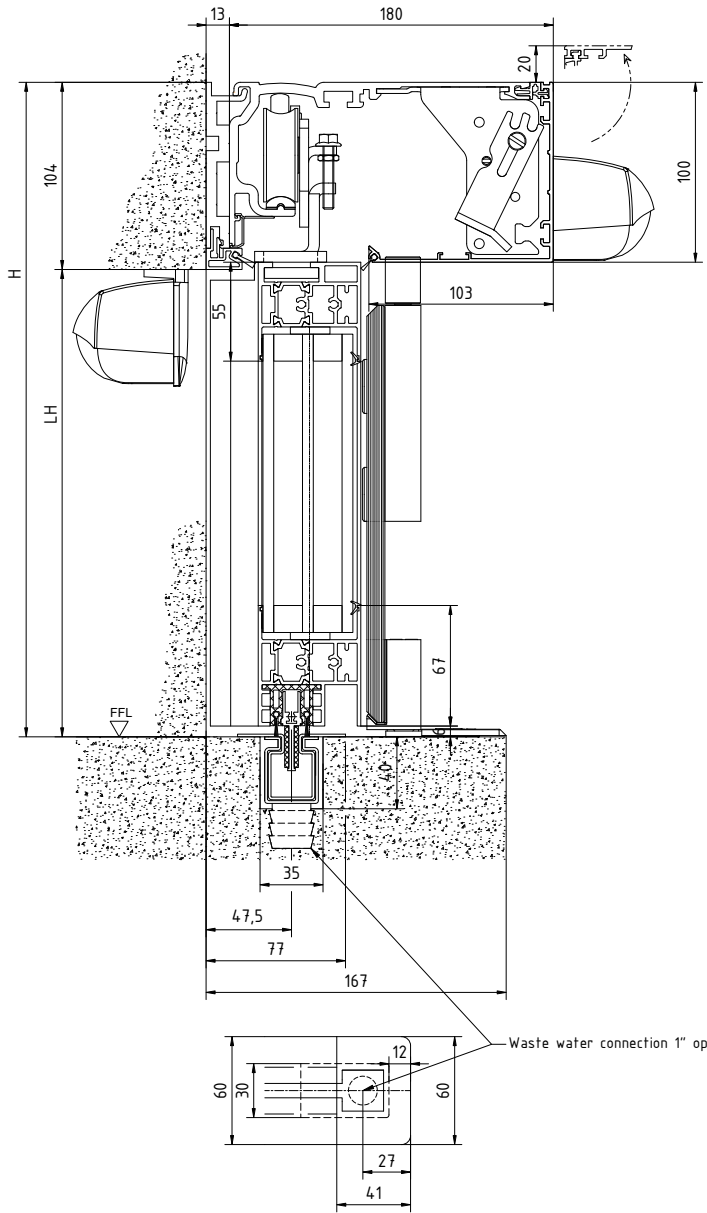
FFL	Finished floor level	Pro Green ES 250 PRO / ES 400 PRO	Weight
LW	passage width	1-leaf	1-leaf
LH	Clearance height	LW 700 - 3000	ES 250 PRO 1 x 125 kg ES 400 PRO 1 x 250 kg
H	Installation height	B min. = 2 x LW + 115 (without fixed part / with post width 55mm)	
X	Noticed	2-leaf LW 800 - 3000	2-leaf
According to EN 16005 / DIN 18650 construction and testing principles for automatic. For doors, this dimension may only be 4 - 8 mm.		B min. = 2 x LW + 120 (without fixed part / without post width)	Standard ES 250 PRO 2 x 125 kg ES 400 PRO 2 x 200 kg



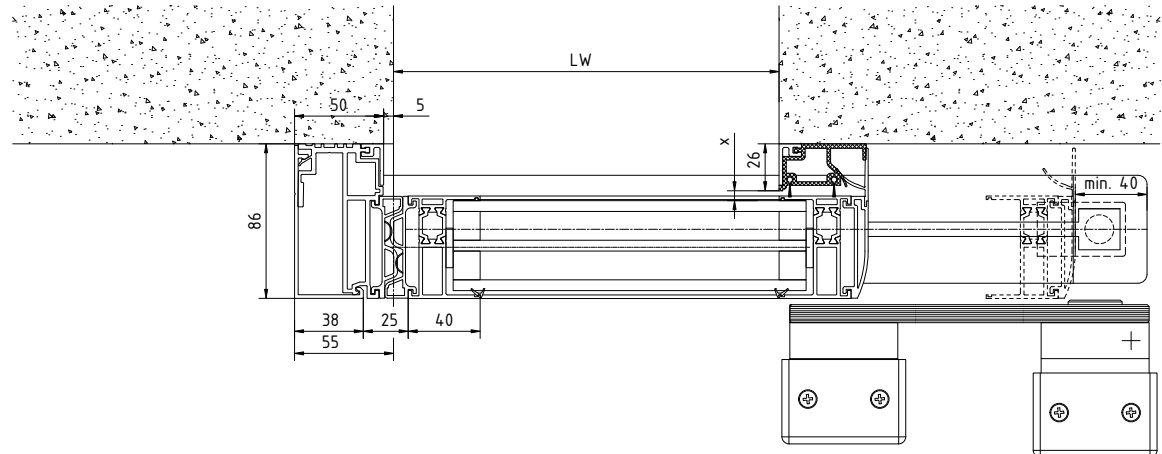
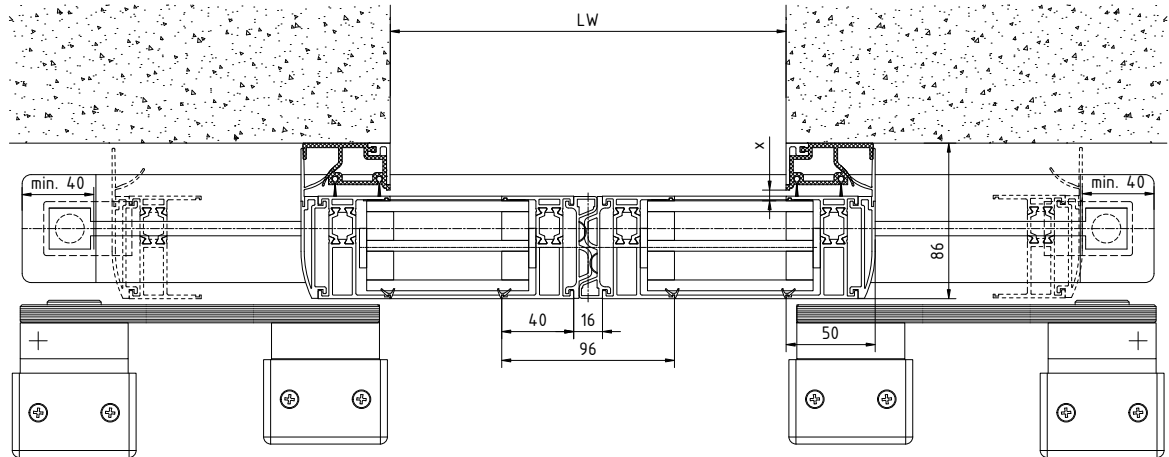
Optionally with hooking



Rev.	Date	Name	Version	
1	10.01.2021	AD	01	
ES PROLINE Pro Green sliding door 1:1 insulating glass - without fixed part - increased floor rail				257892-00-6-60 1 00

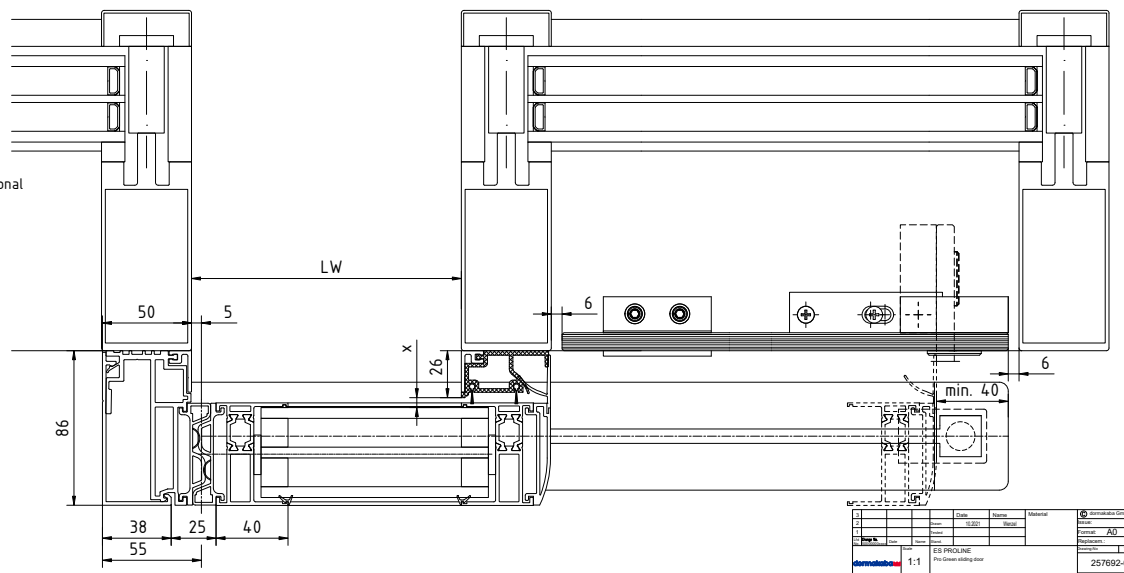
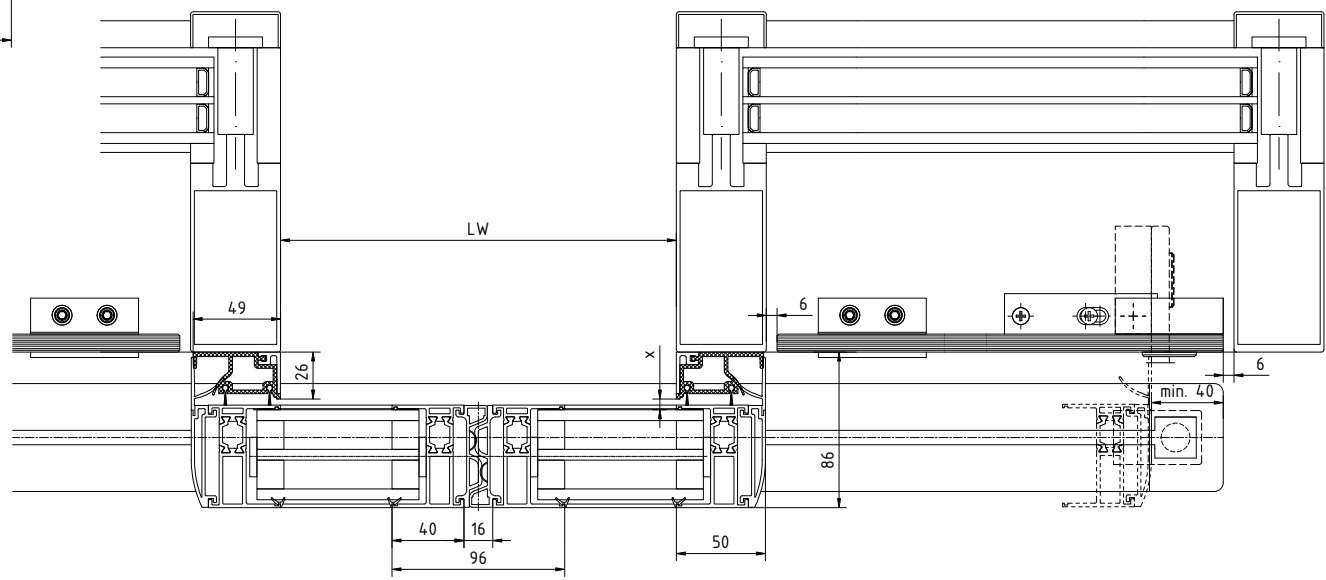
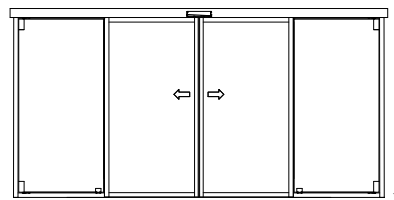
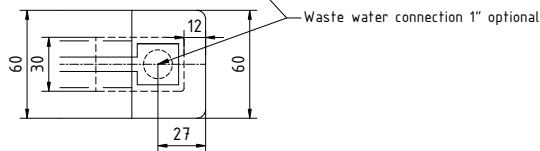
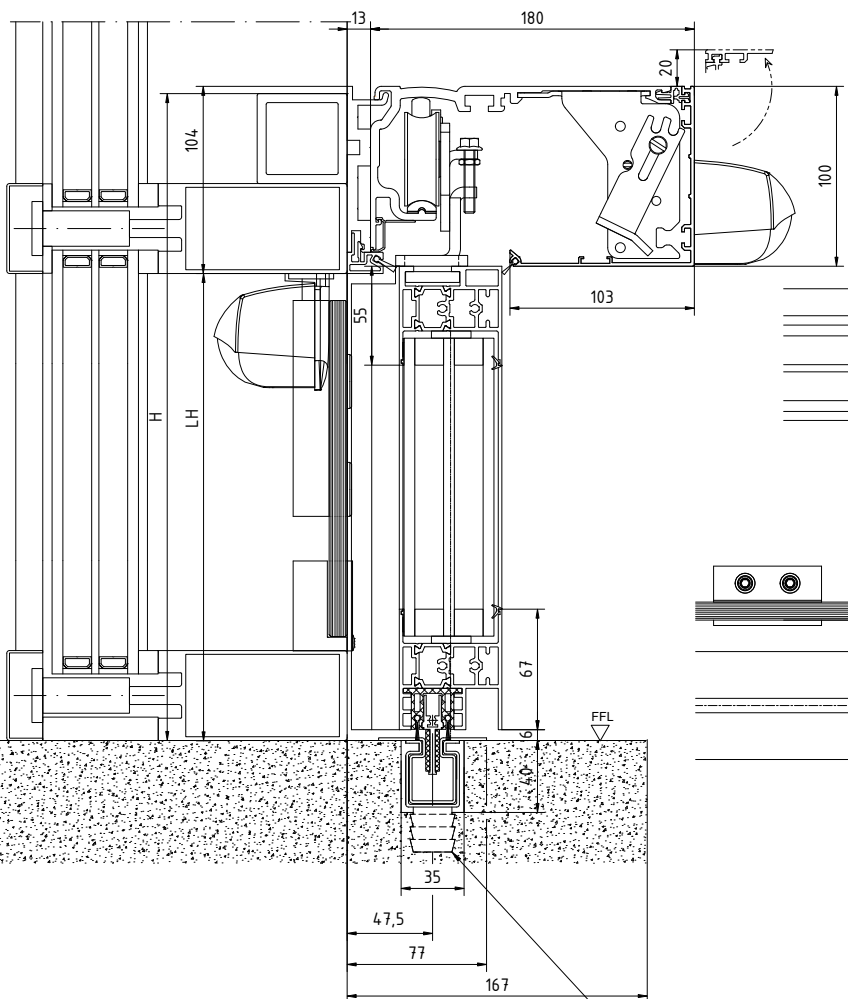


FFL	Finished floor level	Pro Green ES 250 PRO / ES 400 PRO	Weight
LW	passage width	1-leaf	1-leaf
LH	Clearance height	LW 700 - 3000	ES 250 PRO 1 x 125 kg ES 400 PRO 1 x 250 kg
H	Installation height	B min. = 2 x LW + 115 (without fixed part / with post width 55mm)	
	Noticed		
X	According to EN 16005 / DIN 18650 construction and testing principles for automatic. For doors, this dimension may only be 4 - 8 mm.	2-leaf LW 800 - 3000	2-leaf
		B min. = 2 x LW + 120 (without fixed part / without post width)	Standard ES 250 PRO 2 x 125 kg ES 400 PRO 2 x 200 kg



Attention !  
The safety equipment of the automatic door must correspond to the risk analysis according to DIN 18650

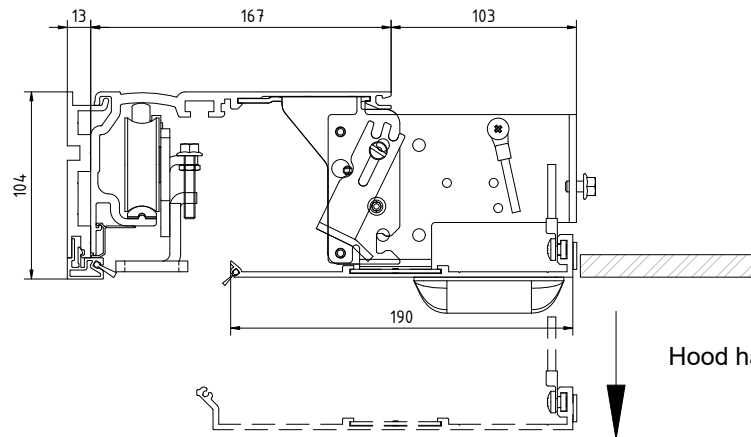
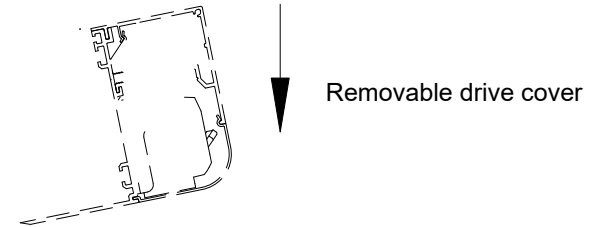
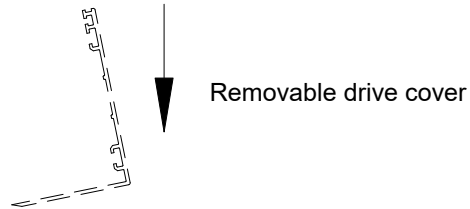
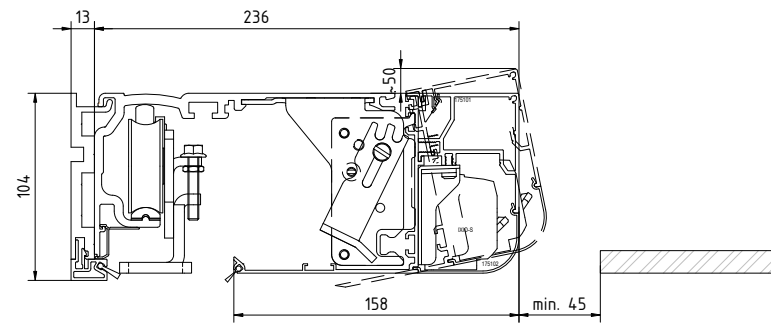
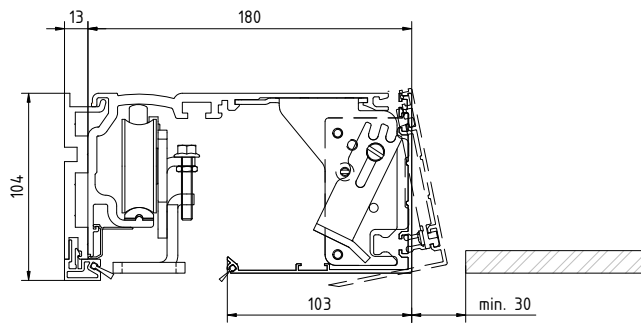
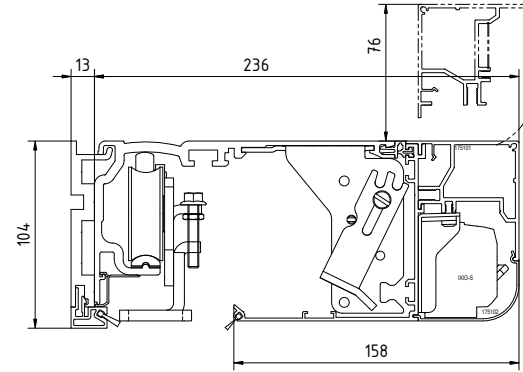
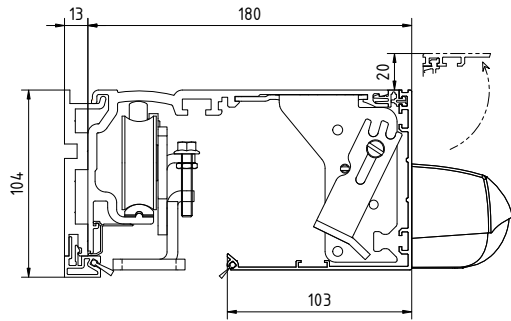
Rev.	Date	Name	Version	
1	02.2011	ES PROLINE	1	
ES PROLINE Pro Green sliding door				
1:1 ES PROLINE Pro Green sliding door 257892-00-6-60 1				



FFL	Finished floor level	Pro Green ES 250 PRO / ES 400 PRO	Weight
LW	passage width	1-leaf	1-leaf
LH	Clearance height	LW 700 - 3000	ES 250 PRO 1 x 125 kg ES 400 PRO 1 x 250 kg
H	Installation height	B min. = 2 x LW + 115 (without fixed part / with post width 55mm)	
X	Noticed	2-leaf LW 800 - 3000	2-leaf
According to EN 16005 / DIN 18650 construction and testing principles for automatic. For doors, this dimension may only be 4 - 8 mm.		B min. = 2 x LW + 120 (without fixed part / without post width)	Standard ES 250 PRO 2 x 125 kg ES 400 PRO 2 x 200 kg

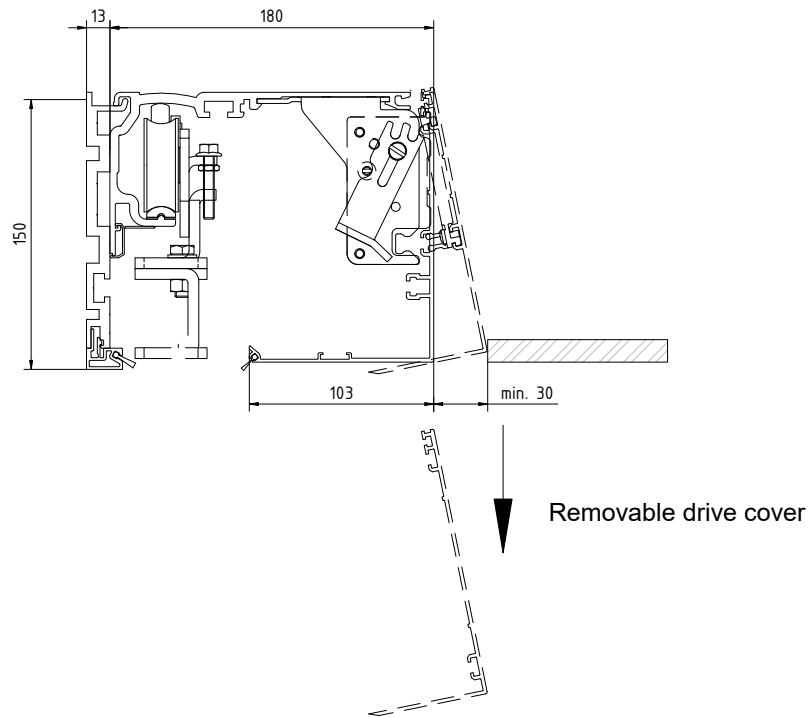
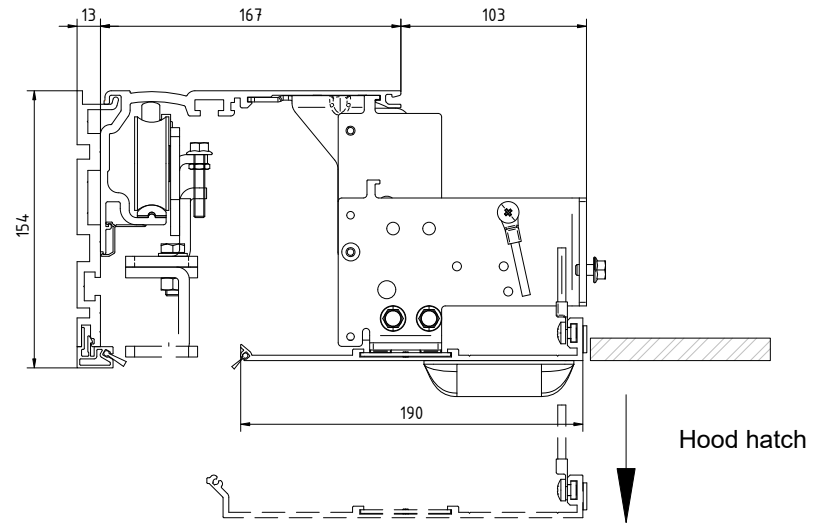
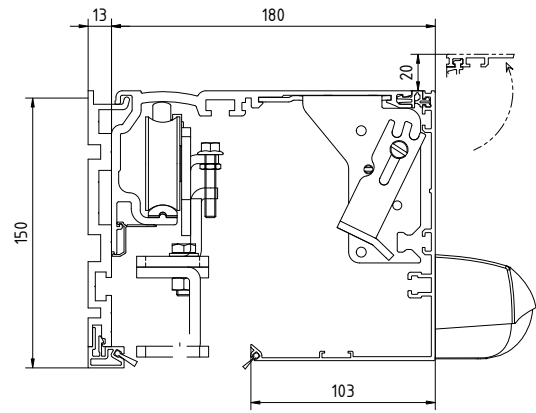
Attention!  
The safety equipment of the automatic door must correspond to the risk analysis according to DIN 18650

Rev.	Date	Name	Version	
1	10.2011	ES PROLINE	1	
ES PROLINE Pro Green sliding door 1:1 drawing: green - without fixed part; PR security mat - floor guide				257892-00-6-60 1 00



Hood hatch

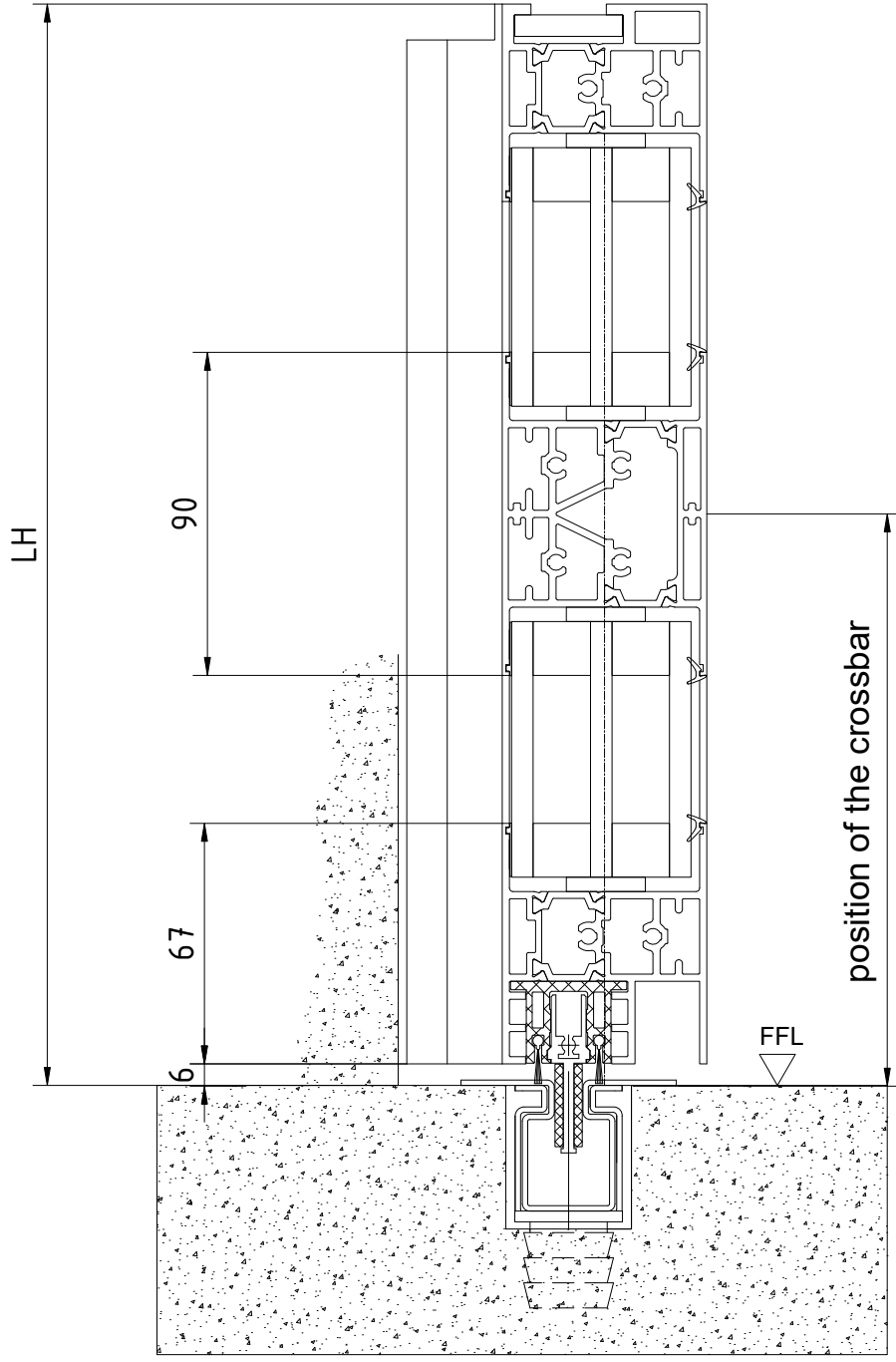
Rev	Date	Name	Version	ES PROLINE
1				
2				
3				
4				
5				
6				
7				
8				
9				
10				
11				
12				
13				
14				
15				
16				
17				
18				
19				
20				
21				
22				
23				
24				
25				
26				
27				
28				
29				
30				
31				
32				
33				
34				
35				
36				
37				
38				
39				
40				
41				
42				
43				
44				
45				
46				
47				
48				
49				
50				
51				
52				
53				
54				
55				
56				
57				
58				
59				
60				
61				
62				
63				
64				
65				
66				
67				
68				
69				
70				
71				
72				
73				
74				
75				
76				
77				
78				
79				
80				
81				
82				
83				
84				
85				
86				
87				
88				
89				
90				
91				
92				
93				
94				
95				
96				
97				
98				
99				
100				



Rev.	Date	Name	Version
1	02.01.2011	AD	
2			
3			

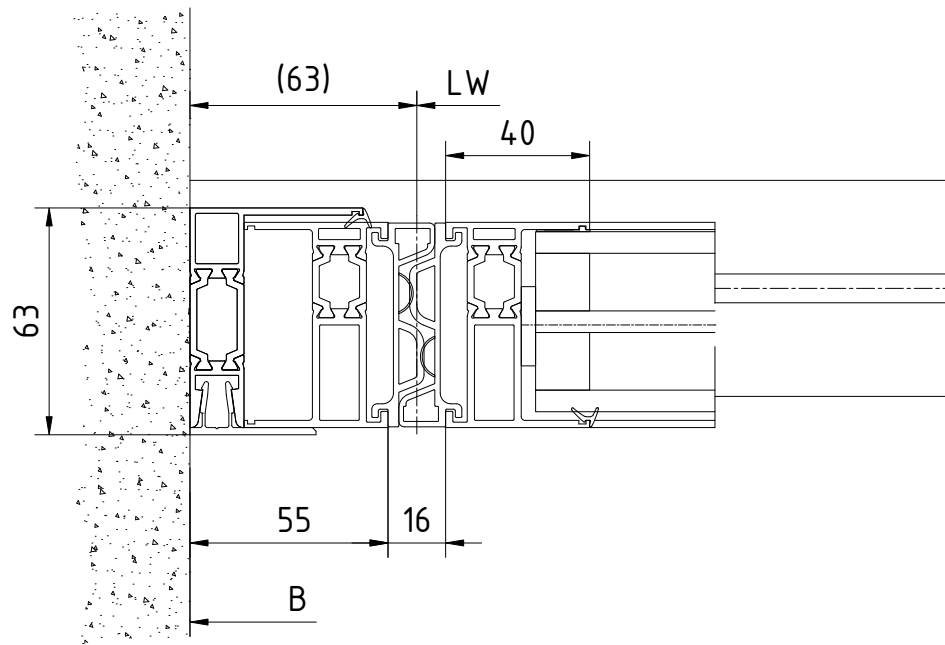
	<b>ES PROLINE</b> 1:1 257892-00-6-60 <small>mechanical covers</small>	
--	--	--



Distribution and reproduction of this document,  
 Use and communication of their content is not permitted,  
 design for any reproduction. All rights reserved. In the case  
 of subject to the provisions of patents or registration of this model.

3				Date	Name	Material	© dormakaba GmbH+Co.KG (DE) Ennepetal Issue: Format: <b>A2</b> Replacem.:
2			Drawn	10.2021	Wenzel		
1			Tested				
Change No. No. 0000000000	Date	Name	Stand.				Drawing-No.    Var.    Typ    Cond    Sheet <b>257692-00-6-60</b> Var.:
		Scale	1:1		<b>ES PROLINE</b> Pro Green sliding door crosses - insulating glass - without fixed part - recessed floor rail		ven. Bl.

Distribution and reproduction of this document,  
 use and communication of their content is not permitted,  
 except for the specific purposes. All rights reserved.  
 Subject to the granting of patents or registration of other models.



3				Date	Name	Material	© dormakaba GmbH+Co.KG (DE) Ennepetal				
2			Drawn	10.2021	Wenzel		Issue:				
1			Tested				Format:	A2			
1	Change No.	Date	Name	Stand.			Replacem.:				
	Lid. No.						Drawing-No.	Var.	Typ	Cond	Sheet
dormakaba		Scale	ES PROLINE		Pro Green sliding door		257692-00-6-60		1		1
		1:1	receiving pole - insulating glass - without fixed part - recessed floor rail				Var.: 00		ven. Bl.		1

Solutions for various construction situations. Each real situation is a particular case which must be clarified on site and may differ from these versions. The data can be found in the assembly instructions.

