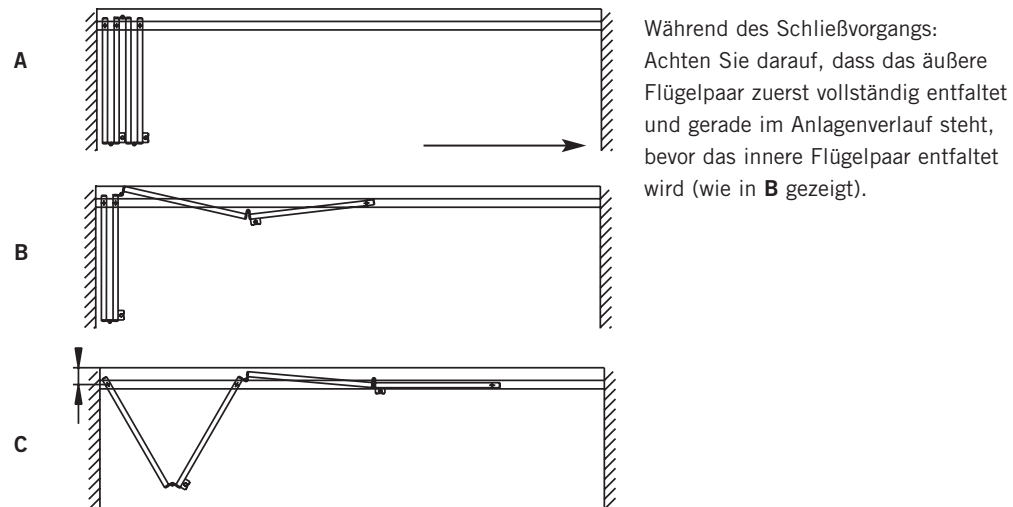
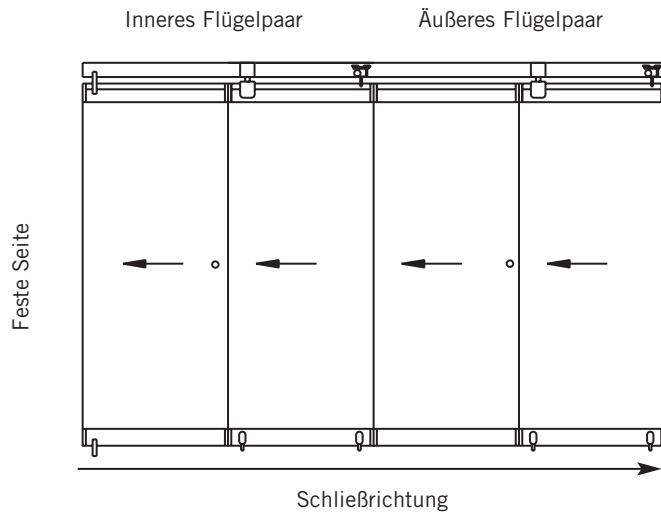


3. Schließen



DORMA FSW-G

Operating instructions for opening and closing

Before any activity involving the FSW system:

To avoid mistakes and damage, please carefully read this operating instruction leaflet.

Always keep this leaflet available.

These operating instructions are generally applicable to all DORMA FSW systems.

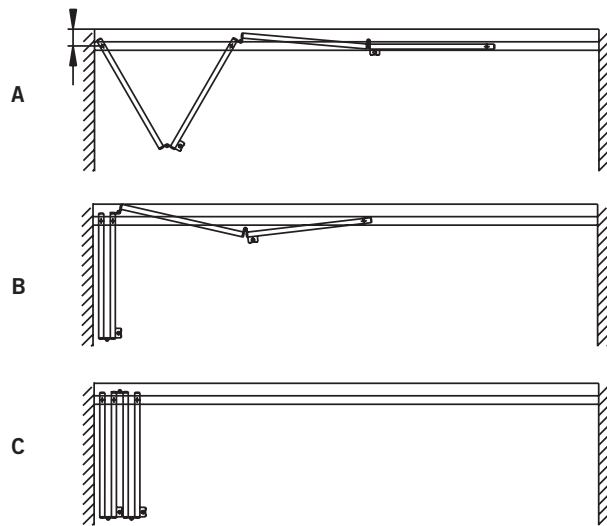
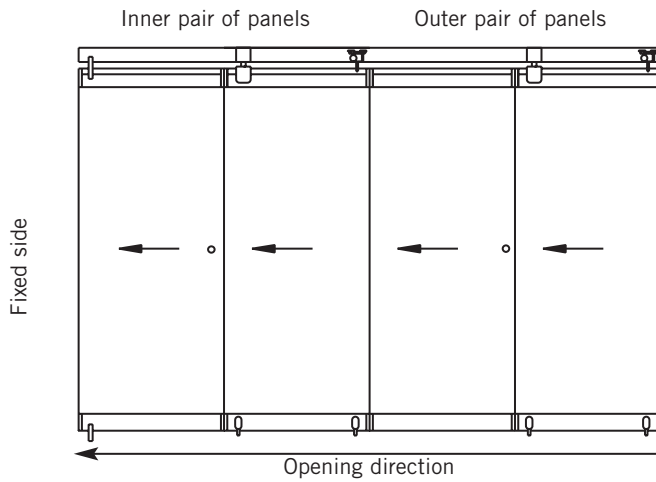
1. General information:

Please ensure compliance with the following points in order to ensure the long-term functional efficiency of the system:

- Always move the panels slowly (at walking speed).
- Never allow the panels to roll uncontrolled along the track.
- Keep locks and top / bottom locking devices in good working order.
- Keep recesses and keeps (eccentric bolt sockets or strike plates) for locks and bolts in the floor clean and obstruction-free.
- Please find the type plate including the Ident. no. for your FSW assembly attached to the final page of this operating instruction leaflet.
- This type plate is also located at the track profile in the stacking area of the system. In addition one will find another type plate on the upper cover profile of the last folding panel.

Please refer to this Ident. no. when reporting a fault or problem. In case you have more than one assembly, make sure that you refer to the very number (displayed on the malfunctioning system).

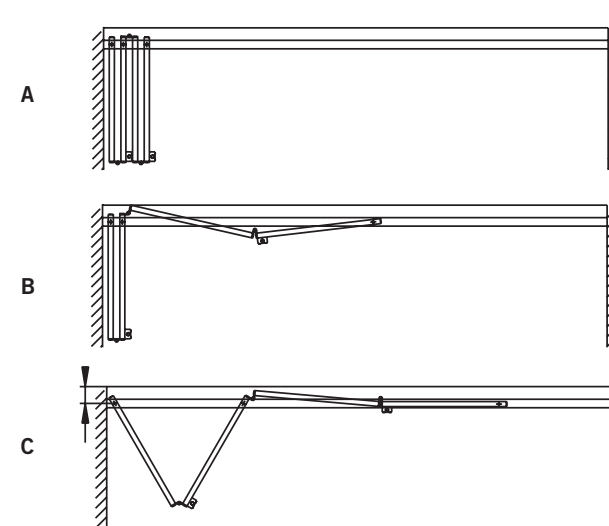
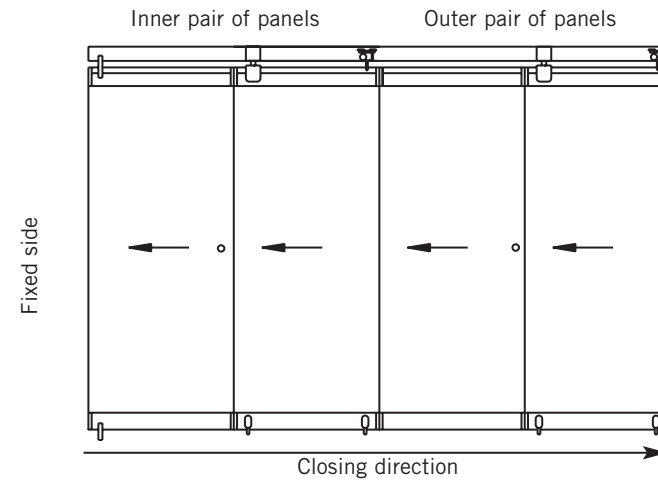
2. Opening



During opening: ←
Always ensure that the outer pair of panels remains in line with the track until the inner pair of panels is fully folded (as shown at **B**).

Under no circumstances should the unsupported, outer pair of panels enter the folded position without the supported, inner pair of panels being in the folded position.

3. Closing



During closing: →
Always ensure that the outer pair of panels is fully unfolded and in line with the track first, before the inner pair of panels is unfolded (as shown at **B**).