



# Overhead Presence Sensor (OHPS)

## Automatic swinging doors

### Description

An overhead presence sensor designed for pedestrian automatic doors.

Provides threshold protection during the door open state. It is designed to prevent a closed door from opening and an open door from closing when a person is in the detection zone.

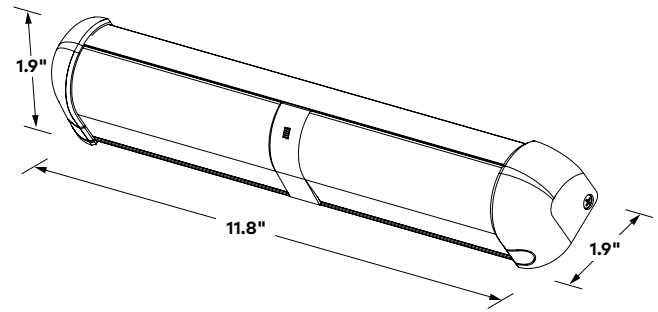
This sensor is easy to install and adjustments can be made using the remote control.

### Features & benefits

- Versatile sensor can be used on single swing, simultaneous pair, dual egress, and folding doors when coupled with an interface/lockout device.
- Adjustable tilt angle from 0°–10°.
- Separate pattern width, depth and sensitivity for open and closed door states for maximum flexibility.
- Fully monitored internally, capable of external monitoring.
- Visible LED indicates connection between sensor and door control.

**Technical specifications**

<b>Technology</b>	Active Infrared
<b>Detection mode</b>	Presence
<b>Installation height</b>	Variable 108" max (9') recommended 78"-96" (6.5'-8')
<b>Mounting angles</b>	5°, 10° ( factory default setting: 5° ) Bodyguard only With bodymount 0°, 5°, 10°
<b>Power supply</b>	12 – 24 VAC / VDC ±10%
<b>Frequency</b>	50 – 60 Hz
<b>Output</b>	Max contact voltage 60 VDC / 125 VAC Max contact current 1 A Max power supply 30 W (DC), 60 VA (AC)
<b>Test input</b>	N/A
<b>Relay hold time</b>	0.5 – 9 s
<b>Operating temperature</b>	-22 °F – 140 °F
<b>Immunity</b>	Immune to electrical and radio frequency interference
<b>Cable</b>	48" (4') 6-conductor cable
<b>Weight</b>	1 lb 11 oz
<b>Dimensions</b>	11.8" (W) × 1.9" (H) × 1.9" (D)
<b>Material</b>	Aluminum & ABS plastic

**DX3336-011 dimensional drawing****Related products**

**DX3336-011**  
HEADER MOUNTED  
SAFETY SENSOR



**DX3336-029**  
SPACER FOR  
BODYGUARD



**DX3336-056**  
UNIVERSAL RAIN  
COVER



**DX3336-033**  
BEA UNIVERSAL  
REMOTE  
CONTROL



dormakaba USA Inc.  
Dorma Drive, Drawer AC  
Reamstown, PA 17567  
844-SPECNOW  
www.dormakaba.us

dormakaba Canada  
1680 Courtney Park Dr. Unit 13  
Mississauga, ON L5T 1R4  
800.387.4938  
www.dormakaba.ca