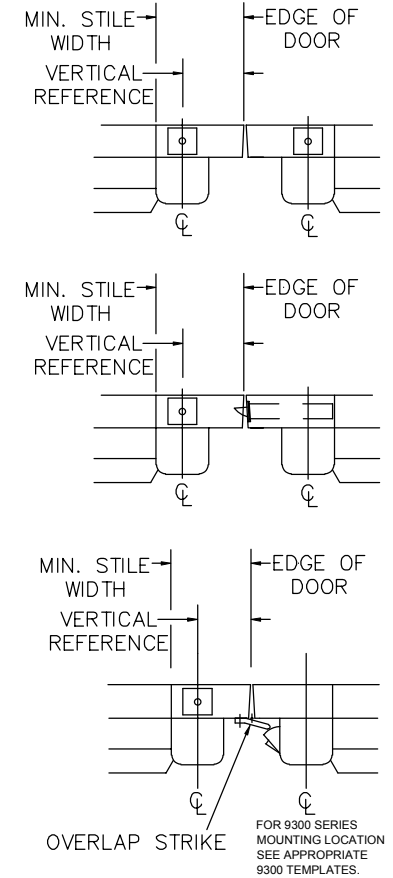
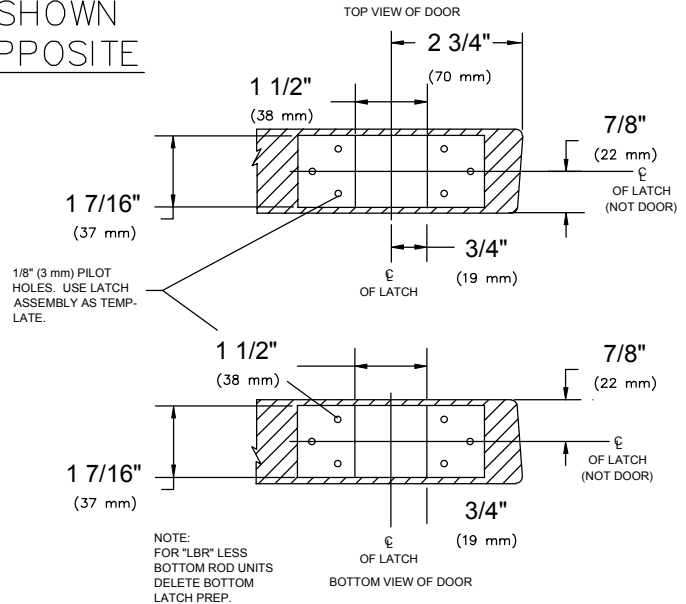
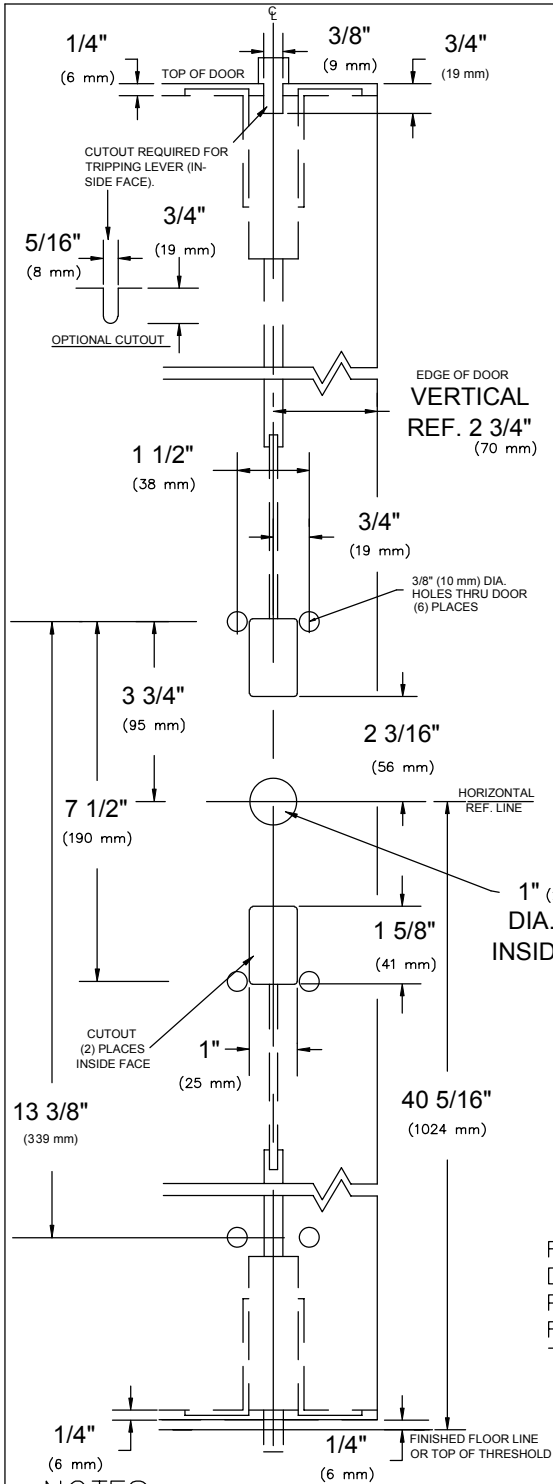


RHR SHOWN  
LHR OPPOSITE



FOR LESS BOTTOM ROD (LBR) DEVICES, DELETE BOTTOM LATCH PREP. POPPER REQUIRED ON FIRE RATED DEVICE, SEE TEMPLATE T-4012.

NOTES:

1. SEE T-9118WD FOR ROUTING INSTRUCTIONS.
2. SEE ADDITIONAL TRIM TEMPLATE WHEN REQUIRED.
3. SEE ADDITIONAL TEMPLATES FOR FIRE CHANNEL EDGE PREP.
3. DEVICE WILL COVER STANDARD SDI CUTOUT.

VERTICAL REFERENCE	MINIMUM STILE WIDTH
2 3/4" (70 mm)	4 3/16" (106 mm)

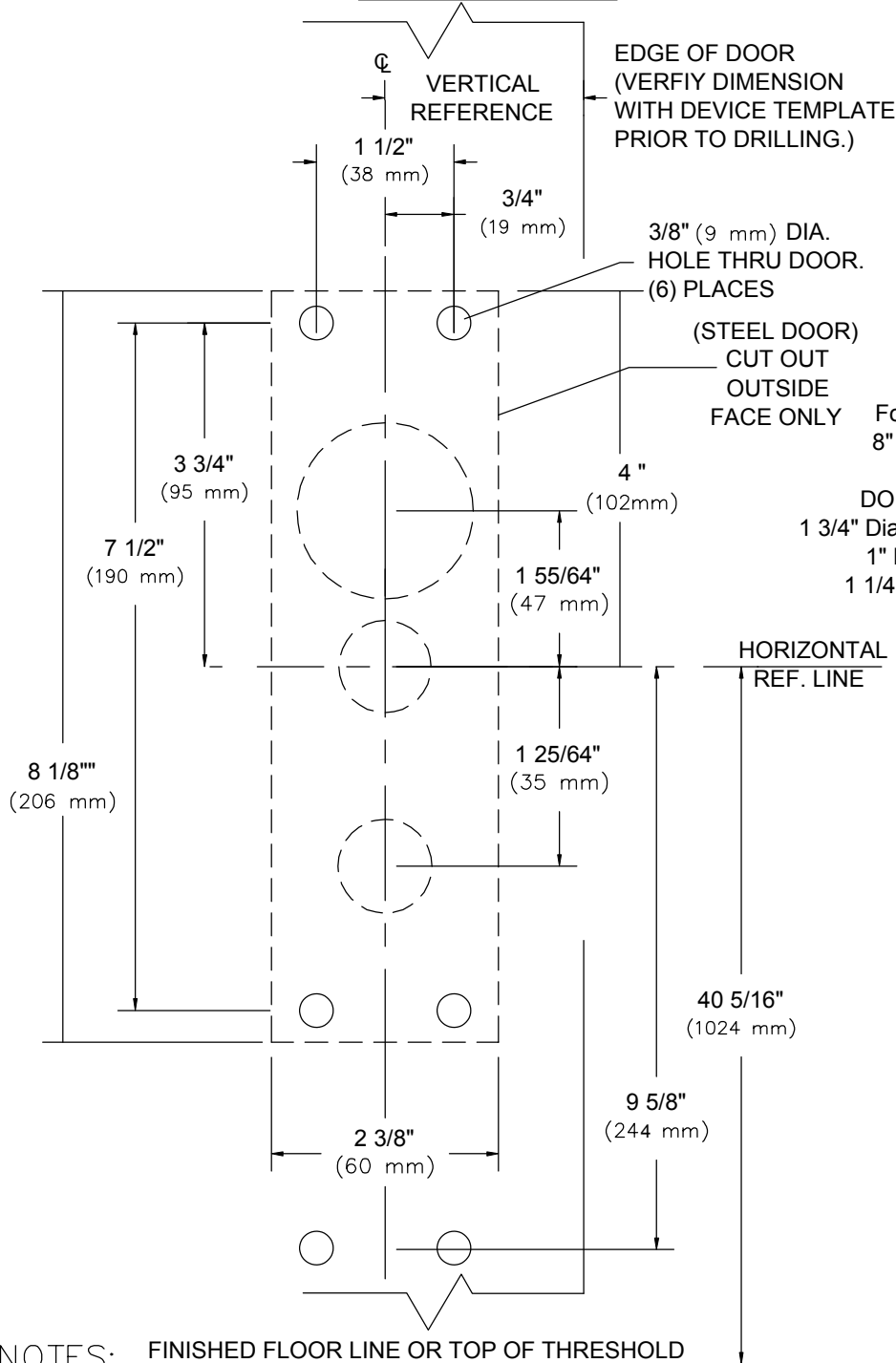
REV. No. 6      REVISION: Dimension Correction      DATE: 8-14-03



9100 & F9100 x HTT22CV or HRT22CV  
9100 & F9100 x HTT05/06CV or HRT05/06CV  
VERTICAL ROD EXIT DEVICE  
(Wood Door)

TEMPLATE NUMBER  
T-9115WD  
⑥

RHR SHOWN  
LHR OPPOSITE



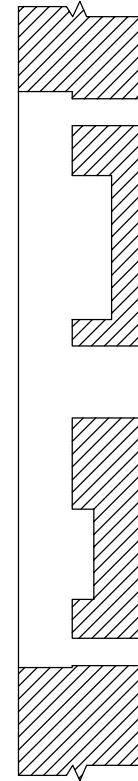
EDGE OF DOOR  
(VERIFY DIMENSION  
WITH DEVICE TEMPLATE  
PRIOR TO DRILLING.)

3/8" (9 mm) DIA.  
HOLE THRU DOOR.  
(6) PLACES

(STEEL DOOR)  
CUT OUT  
OUTSIDE  
FACE ONLY

For Wood or Composite Doors;  
8" x 2 1/4" x 3/4" Deep Min. Cut  
Out. (Outside Face)  
DO NOT CUT THROUGH DOOR!  
1 3/4" Dia. Min. Hole x 1 1/4" Deep As Shown  
1" Dia. Min. Hole Thru As Shown  
1 1/4" Dia. Hole x 1" Deep As Shown

HORIZONTAL  
REF. LINE



NOT TO  
SCALE

NOTES: FINISHED FLOOR LINE OR TOP OF THRESHOLD

1. SEE MASTER SHEET #T-0001 FOR SUGGESTED DOOR REINFORCEMENT.
2. SEE ADDITIONAL DEVICE TEMPLATE WHEN REQUIRED.
3. TRIM WILL COVER STANDARD SDI CUTOUT.

REV. No. 6

REVISION: Dimension Update

DATE: 8-14-03



HTT22CV or HRT22CV  
HTT05/06CV or HRT05/06CV  
TRIM

TEMPLATE NUMBER

T-9016 ©