

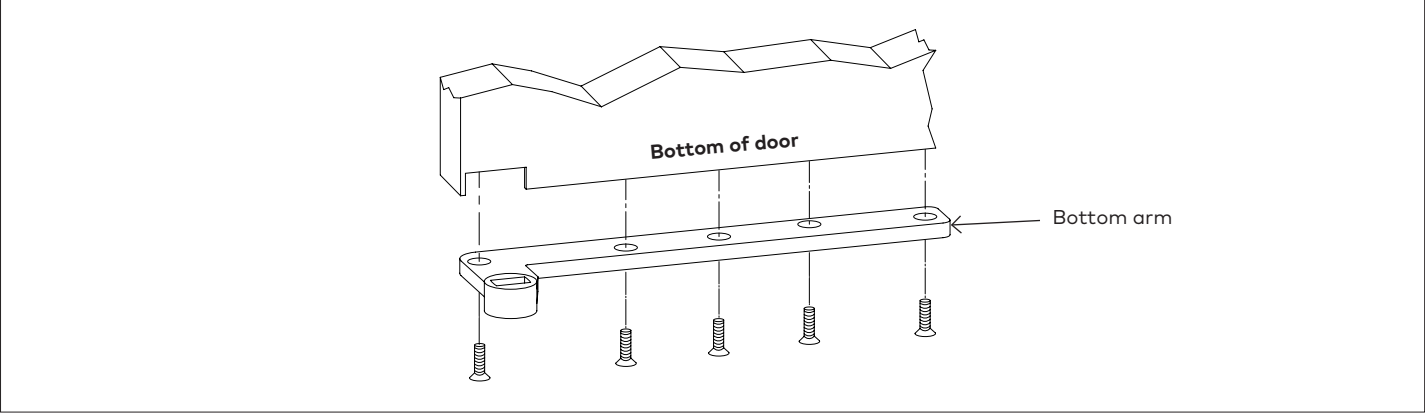
Installation Instructions

15323

1-1/2" Offset Bottom Arm

1.1 Install pivot

Fig. 1



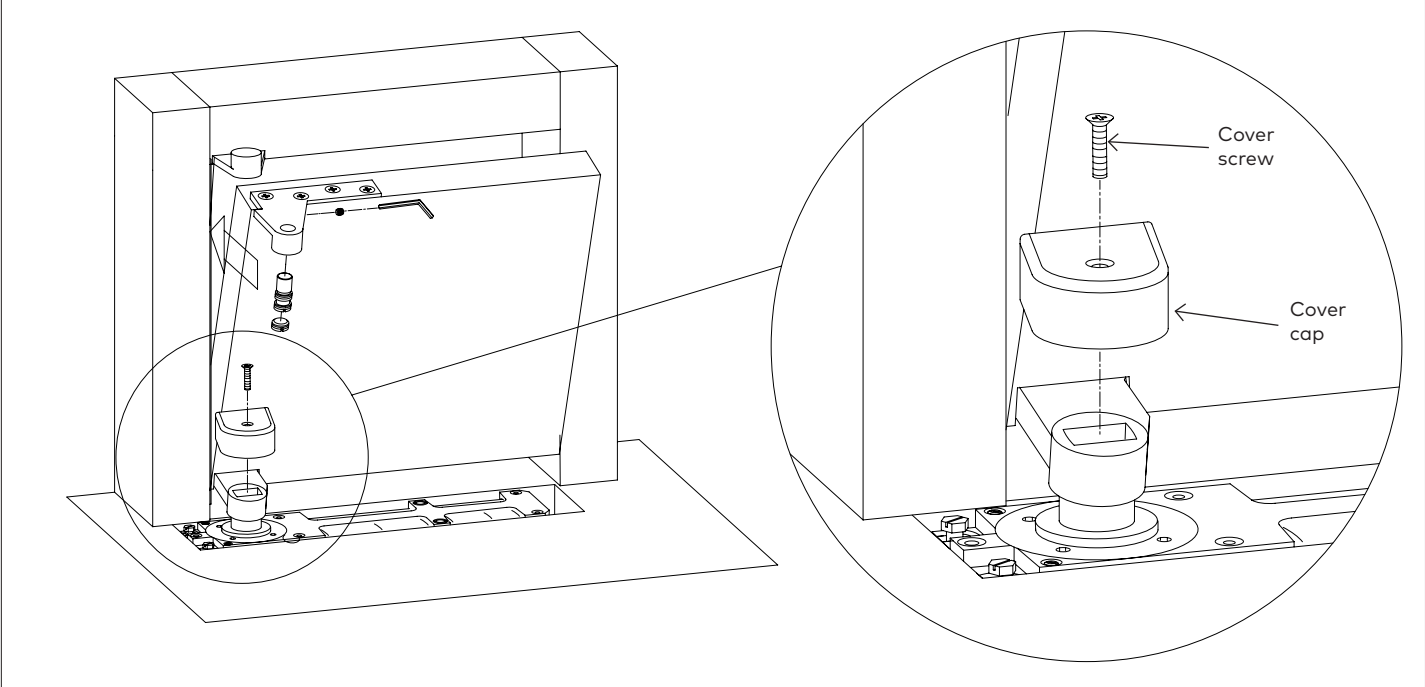
1.1.1 Prepare door and frame according to template.

1.1.2 Install bottom arm.

1.1.3 Fasten arm to door.

1.2 Install door

Fig. 2



1.2.1 Install door.

1.2.2 Attach cover cap with screw provided.

NOTES

1. DO NOT SCALE DRAWING.
2. DIMENSIONS ARE IN INCHES/(MM).
3. RIGHT HAND DOOR SHOWN.
4. BEVEL HEEL EDGE OF DOOR 1/8" IN 2".
5. ALL NECESSARY REINFORCING FOR PIVOT BY OTHERS.
6. STANDARD MORTISE DEPTH.

