



## 5450 Offset Round Entrance Pull Handles

dormakaba's offset round entrance pull handles epitomize the high quality ambitions of the dormakaba brand – designed for excellence down to the very last detail and exuding fine craftsmanship. They offer genuine quality, characterised by clearly defined features – irrespective of shape or size.

Created in solid, premium 316 Marine Grade Stainless Steel offering superior corrosion resistance for internal and external use in high traffic buildings. The offset round section allows comfortable ease of use.

The 5450 offset round entry pull handles are an ideal choice for residential and commercial applications and are suitable for use on glass, timber and aluminium doors.

Please refer to ordering details for a range of optional accessories to suit:

- Back to back extended fixing for timber doors
- Back to back fixing for glass doors
- Disc fixing for timber doors
- Disc fixing for glass doors

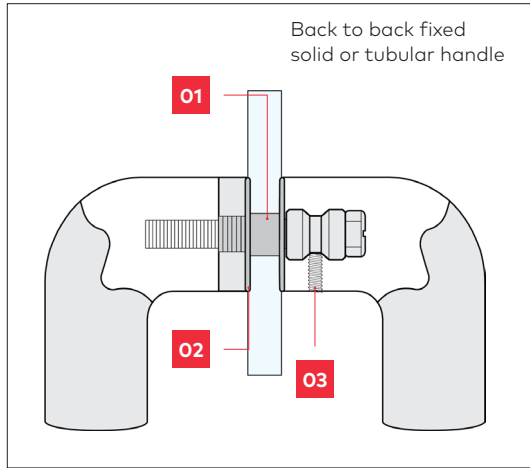
### Features at a glance:

- 316 Marine Grade Stainless Steel
- Designed with your project's needs in mind
- High durability with concealed fixings
- Standard finishes: SSS and PSS
- Powdercoat and custom finishes available on request

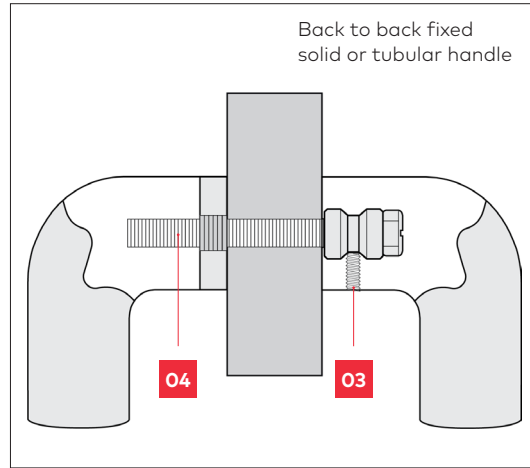
dormakaba Australia  
Head Office  
12-13 Dansu Court  
Hallam VIC 3803  
T: 1800 675 411  
[info.au@dormakaba.com](mailto:info.au@dormakaba.com)  
[www.dormakaba.com.au](http://www.dormakaba.com.au)

dormakaba New Zealand  
Head Office  
Building P, 61-69 Patiki Road  
Avondale, Auckland 1026  
T: 0800 436 762  
[info.nz@dormakaba.com](mailto:info.nz@dormakaba.com)  
[www.dormakaba.co.nz](http://www.dormakaba.co.nz)

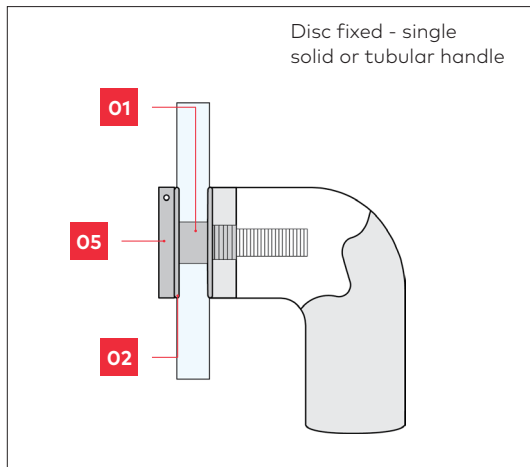
# Fixing options



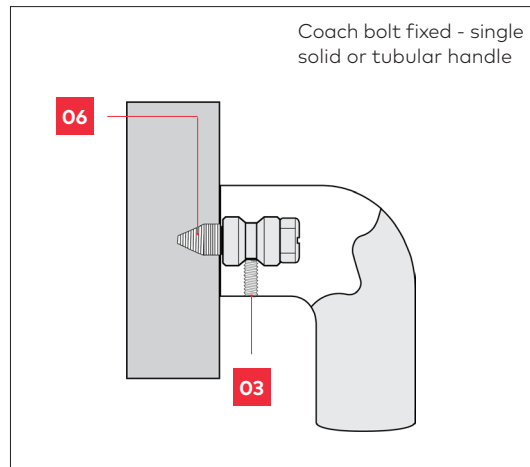
**GD FIX** - glass doors



**TM FIX** - timber or metal doors



**D FIX** - glass, metal or timber doors



**C FIX** - timber doors only

**Note**  
Nylon spacers and washers are included with handle for glass door fixing option.

**Legend**  
**01** Spacer      **03** Grub Screw      **05** Disc  
**02** Washer      **04** Bolt                      **06** Coach Bolt

## TIMBER DOOR FIXING

Material Size	Bolt Size
14mm Ø	5mm
16mm Ø	5mm
19mm Ø	8mm
25mm Ø	8mm
32mm Ø	8mm

## METAL DOOR FIXING

Material Size	Bolt Size
14mm Ø	5mm
16mm Ø	5mm
19mm Ø	8mm
25mm Ø	8mm
32mm Ø	8mm

## GLASS DOOR FIXING

Material Size	Bolt Size
14mm Ø	12mm Ø
16mm Ø	12mm Ø
19mm Ø	12mm Ø
25mm Ø	12mm Ø
32mm Ø	12mm Ø

# Ordering details

Item	Article Number	Description	Diameter	Projection	Offset	Length	Fixing Centres
<b>BACK TO BACK FIXING</b>							
B5450/K/14/PSS	9457457611102	B5450/K/14 OA 1400 CTC 1240 PSS	14mm	48mm	75mm	1400mm	1240mm
B5450/K/14/SSS	9457457611101	B5450/K/14 OA 1400 CTC 1240 SSS	14mm	48mm	75mm	1400mm	1240mm
B5450/K/16/PSS	9457457612102	B5450/K/16 OA 1400 CTC 1240 PSS	16mm	50mm	80mm	1400mm	1240mm
B5450/K/16/SSS	9457457612101	B5450/K/16 OA 1400 CTC 1240 SSS	16mm	50mm	80mm	1400mm	1240mm
B5450/L/14/PSS	9457457221102	B5450/L/14 OA 1300 CTC 1140 PSS	14mm	48mm	75mm	1300mm	1140mm
B5450/L/14/SSS	9457457221101	B5450/L/14 OA 1300 CTC 1140 SSS	14mm	48mm	75mm	1300mm	1140mm
B5450/L/16/PSS	9457457222102	B5450/L/16 OA 1300 CTC 1140 PSS	16mm	50mm	80mm	1300mm	1140mm
B5450/L/16/SSS	9457457222101	B5450/L/16 OA 1300 CTC 1140 SSS	16mm	50mm	80mm	1300mm	1140mm
B5450/M/14/PSS	9457456891102	B5450/M/14 OA 1200 CTC 1040 PSS	14mm	48mm	75mm	1200mm	1040mm
B5450/M/14/SSS	9457456891101	B5450/M/14 OA 1200 CTC 1040 SSS	14mm	48mm	75mm	1200mm	1040mm
B5450/M/16/PSS	9457456892102	B5450/M/16 OA 1200 CTC 1040 PSS	16mm	50mm	80mm	1200mm	1040mm
B5450/M/16/SSS	9457456892101	B5450/M/16 OA 1200 CTC 1040 SSS	16mm	50mm	80mm	1200mm	1040mm
B5450/N/14/PSS	9457456471102	B5450/N/14 OA 1100 CTC 940 PSS	14mm	48mm	75mm	1100mm	940mm
B5450/N/14/SSS	9457456471101	B5450/N/14 OA 1100 CTC 940 SSS	14mm	48mm	75mm	1100mm	940mm
B5450/N/16/PSS	9457456472102	B5450/N/16 OA 1100 CTC 940 PSS	16mm	50mm	80mm	1100mm	940mm
B5450/N/16/SSS	9457456472101	B5450/N/16 OA 1100 CTC 940 SSS	16mm	50mm	80mm	1100mm	940mm
B5450/O/14/PSS	9457456081102	B5450/O/14 OA 1000 CTC 840 PSS	14mm	48mm	75mm	1000mm	840mm
B5450/O/14/SSS	9457456081101	B5450/O/14 OA 1000 CTC 840 SSS	14mm	48mm	75mm	1000mm	840mm
B5450/O/16/PSS	9457456082102	B5450/O/16 OA 1000 CTC 840 PSS	16mm	50mm	80mm	1000mm	840mm
B5450/O/16/SSS	9457456082101	B5450/O/16 OA 1000 CTC 840 SSS	16mm	50mm	80mm	1000mm	840mm
B5450/P/14/PSS	9457455511102	B5450/P/14 OA 900 CTC 740 PSS	14mm	48mm	75mm	900mm	740mm
B5450/P/14/SSS	9457455511101	B5450/P/14 OA 900 CTC 740 SSS	14mm	48mm	75mm	900mm	740mm
B5450/P/16/PSS	9457455512102	B5450/P/16 OA 900 CTC 740 PSS	16mm	50mm	80mm	900mm	740mm
B5450/P/16/SSS	9457455512101	B5450/P/16 OA 900 CTC 740 SSS	16mm	50mm	80mm	900mm	740mm
B5450/Q/14/PSS	9457455061102	B5450/Q/14 OA 800 CTC 640 PSS	14mm	48mm	75mm	800mm	640mm
B5450/Q/14/SSS	9457455061101	B5450/Q/14 OA 800 CTC 640 SSS	14mm	48mm	75mm	800mm	640mm
B5450/Q/16/PSS	9457455062102	B5450/Q/16 OA 800 CTC 640 PSS	16mm	50mm	80mm	800mm	640mm
B5450/Q/16/SSS	9457455062101	B5450/Q/16 OA 800 CTC 640 SSS	16mm	50mm	80mm	800mm	640mm
B5450/R/14/PSS	9457454581102	B5450/R/14 OA 700 CTC 540 PSS	14mm	48mm	75mm	700mm	540mm
B5450/R/14/SSS	9457454581101	B5450/R/14 OA 700 CTC 540 SSS	14mm	48mm	75mm	700mm	540mm
B5450/R/16/PSS	9457454582102	B5450/R/16 OA 700 CTC 540 PSS	16mm	50mm	80mm	700mm	540mm
B5450/R/16/SSS	9457454582101	B5450/R/16 OA 700 CTC 540 SSS	16mm	50mm	80mm	700mm	540mm
B5450/S/14/PSS	9457453891102	B5450/S/14 OA 600 CTC 440 PSS	14mm	48mm	75mm	600mm	440mm
B5450/S/14/SSS	9457453891101	B5450/S/14 OA 600 CTC 440 SSS	14mm	48mm	75mm	600mm	440mm
B5450/S/16/PSS	9457453892102	B5450/S/16 OA 600 CTC 440 PSS	16mm	50mm	80mm	600mm	440mm
B5450/S/16/SSS	9457453892101	B5450/S/16 OA 600 CTC 440 SSS	16mm	50mm	80mm	600mm	440mm
B5450/T/14/PSS	9457453201102	B5450/T/14 OA 500 CTC 340 PSS	14mm	48mm	75mm	500mm	340mm
B5450/T/14/SSS	9457453201101	B5450/T/14 OA 500 CTC 340 SSS	14mm	48mm	75mm	500mm	340mm

# Ordering details

Item	Article Number	Description	Diameter	Projection	Offset	Length	Fixing Centres
B5450/T/16/PSS	9457453202102	B5450/T/16 OA 500 CTC 340 PSS	16mm	50mm	80mm	500mm	340mm
B5450/T/16/SSS	9457453202101	B5450/T/16 OA 500 CTC 340 SSS	16mm	50mm	80mm	500mm	340mm
B5450/U/14/PSS	9457452481102	B5450/U/14 OA 400 CTC 240 PSS	14mm	48mm	75mm	400mm	240mm
B5450/U/14/SSS	9457452481101	B5450/U/14 OA 400 CTC 240 SSS	14mm	48mm	75mm	400mm	240mm
B5450/U/16/PSS	9457452482102	B5450/U/16 OA 400 CTC 240 PSS	16mm	50mm	80mm	400mm	240mm
B5450/U/16/SSS	9457452482101	B5450/U/16 OA 400 CTC 240 SSS	16mm	50mm	80mm	400mm	240mm

## ACCESSORIES - EXTENDED FIXINGS

TM/M5/50	9459405045200	M5/50 BOLT & 10MM FERULE TM FIX	<b>Note: When ordering extended fixings please use the below formula.</b>  Door thickness + 20mm for the Ferule + 10mm in to the other handle = round up to the nearest size offered.
TM/M5/75	9459705075200	M5/75 BOLT & 10MM FERULE TM FIX	
TM/M5/100	9459505055200	M5/100 BOLT & 10MM FERULE TM FIX	

## ACCESSORIES - GLASS FIXINGS

GF14/M5/50 RND	9459501455301	14 DIA RND GLASS FIXING PAIRS
GF16/M5/50 RND	9459501655301	16 DIA RND GLASS FIXING PAIRS

## CONCEALED FIXING

C5450/K/14/PSS	9457457611202	C5450/K/14 OA 1400 CTC 1240 PSS	14mm	48mm	75mm	1400mm	1240mm
C5450/K/14/SSS	9457457611201	C5450/K/14 OA 1400 CTC 1240 SSS	14mm	48mm	75mm	1400mm	1240mm
C5450/K/16/PSS	9457457612202	C5450/K/16 OA 1400 CTC 1240 PSS	16mm	50mm	80mm	1400mm	1240mm
C5450/K/16/SSS	9457457612201	C5450/K/16 OA 1400 CTC 1240 SSS	16mm	50mm	80mm	1400mm	1240mm
C5450/L/14/PSS	9457457221202	C5450/L/14 OA 1300 CTC 1140 PSS	14mm	48mm	75mm	1300mm	1140mm
C5450/L/14/SSS	9457457221201	C5450/L/14 OA 1300 CTC 1140 SSS	14mm	48mm	75mm	1300mm	1140mm
C5450/L/16/PSS	9457457222202	C5450/L/16 OA 1300 CTC 1140 PSS	16mm	50mm	80mm	1300mm	1140mm
C5450/L/16/SSS	9457457222201	C5450/L/16 OA 1300 CTC 1140 SSS	16mm	50mm	80mm	1300mm	1140mm
C5450/M/14/PSS	9457456891202	C5450/M/14 OA 1200 CTC 1040 PSS	14mm	48mm	75mm	1200mm	1040mm
C5450/M/14/SSS	9457456891201	C5450/M/14 OA 1200 CTC 1040 SSS	14mm	48mm	75mm	1200mm	1040mm
C5450/M/16/PSS	9457456892202	C5450/M/16 OA 1200 CTC 1040 PSS	16mm	50mm	80mm	1200mm	1040mm
C5450/M/16/SSS	9457456892201	C5450/M/16 OA 1200 CTC 1040 SSS	16mm	50mm	80mm	1200mm	1040mm
C5450/N/14/PSS	9457456471202	C5450/N/14 OA 1100 CTC 940 PSS	14mm	48mm	75mm	1100mm	940mm
C5450/N/14/SSS	9457456471201	C5450/N/14 OA 1100 CTC 940 SSS	14mm	48mm	75mm	1100mm	940mm
C5450/N/16/PSS	9457456472202	C5450/N/16 OA 1100 CTC 940 PSS	16mm	50mm	80mm	1100mm	940mm
C5450/N/16/SSS	9457456472201	C5450/N/16 OA 1100 CTC 940 SSS	16mm	50mm	80mm	1100mm	940mm
C5450/O/14/PSS	9457456081202	C5450/O/14 OA 1000 CTC 840 PSS	14mm	48mm	75mm	1000mm	840mm
C5450/O/14/SSS	9457456081201	C5450/O/14 OA 1000 CTC 840 SSS	14mm	48mm	75mm	1000mm	840mm
C5450/O/16/PSS	9457456082202	C5450/O/16 OA 1000 CTC 840 PSS	16mm	50mm	80mm	1000mm	840mm
C5450/O/16/SSS	9457456082201	C5450/O/16 OA 1000 CTC 840 SSS	16mm	50mm	80mm	1000mm	840mm
C5450/P/14/PSS	9457455511202	C5450/P/14 OA 900 CTC 740 PSS	14mm	48mm	75mm	900mm	740mm
C5450/P/14/SSS	9457455511201	C5450/P/14 OA 900 CTC 740 SSS	14mm	48mm	75mm	900mm	740mm
C5450/P/16/PSS	9457455512202	C5450/P/16 OA 900 CTC 740 PSS	16mm	50mm	80mm	900mm	740mm
C5450/P/16/SSS	9457455512201	C5450/P/16 OA 900 CTC 740 SSS	16mm	50mm	80mm	900mm	740mm
C5450/Q/14/PSS	9457455061202	C5450/Q/14 OA 800 CTC 640 PSS	14mm	48mm	75mm	800mm	640mm
C5450/Q/14/SSS	9457455061201	C5450/Q/14 OA 800 CTC 640 SSS	14mm	48mm	75mm	800mm	640mm

# Ordering details

Item	Article Number	Description	Diameter	Projection	Offset	Length	Fixing Centres
C5450/Q/16/PSS	9457455062202	C5450/Q/16 OA 800 CTC 640 PSS	16mm	50mm	80mm	800mm	640mm
C5450/Q/16/SSS	9457455062201	C5450/Q/16 OA 800 CTC 640 SSS	16mm	50mm	80mm	800mm	640mm
C5450/R/14/PSS	9457454581202	C5450/R/14 OA 700 CTC 540 PSS	14mm	48mm	75mm	700mm	540mm
C5450/R/14/SSS	9457454581201	C5450/R/14 OA 700 CTC 540 SSS	14mm	48mm	75mm	700mm	540mm
C5450/R/16/PSS	9457454582202	C5450/R/16 OA 700 CTC 540 PSS	16mm	50mm	80mm	700mm	540mm
C5450/R/16/SSS	9457454582201	C5450/R/16 OA 700 CTC 540 SSS	16mm	50mm	80mm	700mm	540mm
C5450/S/14/PSS	9457453891202	C5450/S/14 OA 600 CTC 440 PSS	14mm	48mm	75mm	600mm	440mm
C5450/S/14/SSS	9457453891201	C5450/S/14 OA 600 CTC 440 SSS	14mm	48mm	75mm	600mm	440mm
C5450/S/16/PSS	9457453892202	C5450/S/16 OA 600 CTC 440 PSS	16mm	50mm	80mm	600mm	440mm
C5450/S/16/SSS	9457453892201	C5450/S/16 OA 600 CTC 440 SSS	16mm	50mm	80mm	600mm	440mm
C5450/T/14/PSS	9457453201202	C5450/T/14 OA 500 CTC 340 PSS	14mm	48mm	75mm	500mm	340mm
C5450/T/14/SSS	9457453201201	C5450/T/14 OA 500 CTC 340 SSS	14mm	48mm	75mm	500mm	340mm
C5450/T/16/PSS	9457453202202	C5450/T/16 OA 500 CTC 340 PSS	16mm	50mm	80mm	500mm	340mm
C5450/T/16/SSS	9457453202201	C5450/T/16 OA 500 CTC 340 SSS	16mm	50mm	80mm	500mm	340mm
C5450/U/14/PSS	9457452481202	C5450/U/14 OA 400 CTC 240 PSS	14mm	48mm	75mm	400mm	240mm
C5450/U/14/SSS	9457452481201	C5450/U/14 OA 400 CTC 240 SSS	14mm	48mm	75mm	400mm	240mm
C5450/U/16/PSS	9457452482202	C5450/U/16 OA 400 CTC 240 PSS	16mm	50mm	80mm	400mm	240mm
C5450/U/16/SSS	9457452482201	C5450/U/16 OA 400 CTC 240 SSS	16mm	50mm	80mm	400mm	240mm

DISC FIXING							
D5450/K/14/PSS	9457457611302	D5450/K/14 OA 1400 CTC 1240 PSS	14mm	48mm	75mm	1400mm	1240mm
D5450/K/14/SSS	9457457611301	D5450/K/14 OA 1400 CTC 1240 SSS	14mm	48mm	75mm	1400mm	1240mm
D5450/K/16/PSS	9457457612302	D5450/K/16 OA 1400 CTC 1240 PSS	16mm	50mm	80mm	1400mm	1240mm
D5450/K/16/SSS	9457457612301	D5450/K/16 OA 1400 CTC 1240 SSS	16mm	50mm	80mm	1400mm	1240mm
D5450/L/14/PSS	9457457221302	D5450/L/14 OA 1300 CTC 1140 PSS	14mm	48mm	75mm	1300mm	1140mm
D5450/L/14/SSS	9457457221301	D5450/L/14 OA 1300 CTC 1140 SSS	14mm	48mm	75mm	1300mm	1140mm
D5450/L/16/PSS	9457457222302	D5450/L/16 OA 1300 CTC 1140 PSS	16mm	50mm	80mm	1300mm	1140mm
D5450/L/16/SSS	9457457222301	D5450/L/16 OA 1300 CTC 1140 SSS	16mm	50mm	80mm	1300mm	1140mm
D5450/M/14/PSS	9457456891302	D5450/M/14 OA 1200 CTC 1040 PSS	14mm	48mm	75mm	1200mm	1040mm
D5450/M/14/SSS	9457456891301	D5450/M/14 OA 1200 CTC 1040 SSS	14mm	48mm	75mm	1200mm	1040mm
D5450/M/16/PSS	9457456892302	D5450/M/16 OA 1200 CTC 1040 PSS	16mm	50mm	80mm	1200mm	1040mm
D5450/M/16/SSS	9457456892301	D5450/M/16 OA 1200 CTC 1040 SSS	16mm	50mm	80mm	1200mm	1040mm
D5450/N/14/PSS	9457456471302	D5450/N/14 OA 1100 CTC 940 PSS	14mm	48mm	75mm	1100mm	940mm
D5450/N/14/SSS	9457456471301	D5450/N/14 OA 1100 CTC 940 SSS	14mm	48mm	75mm	1100mm	940mm
D5450/N/16/PSS	9457456472302	D5450/N/16 OA 1100 CTC 940 PSS	16mm	50mm	80mm	1100mm	940mm
D5450/N/16/SSS	9457456472301	D5450/N/16 OA 1100 CTC 940 SSS	16mm	50mm	80mm	1100mm	940mm
D5450/O/14/PSS	9457456081302	D5450/O/14 OA 1000 CTC 840 PSS	14mm	48mm	75mm	1000mm	840mm
D5450/O/14/SSS	9457456081301	D5450/O/14 OA 1000 CTC 840 SSS	14mm	48mm	75mm	1000mm	840mm
D5450/O/16/PSS	9457456082302	D5450/O/16 OA 1000 CTC 840 PSS	16mm	50mm	80mm	1000mm	840mm
D5450/O/16/SSS	9457456082301	D5450/O/16 OA 1000 CTC 840 SSS	16mm	50mm	80mm	1000mm	840mm

# Ordering details

Item	Article Number	Description	Diameter	Projection	Offset	Length	Fixing Centres
D5450/P/14/PSS	9457455511302	D5450/P/14 OA 900 CTC 740 PSS	14mm	48mm	75mm	900mm	740mm
D5450/P/14/SSS	9457455511301	D5450/P/14 OA 900 CTC 740 SSS	14mm	48mm	75mm	900mm	740mm
D5450/P/16/PSS	9457455512302	D5450/P/16 OA 900 CTC 740 PSS	16mm	50mm	80mm	900mm	740mm
D5450/P/16/SSS	9457455512301	D5450/P/16 OA 900 CTC 740 SSS	16mm	50mm	80mm	900mm	740mm
D5450/Q/14/PSS	9457455061302	D5450/Q/14 OA 800 CTC 640 PSS	14mm	48mm	75mm	800mm	640mm
D5450/Q/14/SSS	9457455061301	D5450/Q/14 OA 800 CTC 640 SSS	14mm	48mm	75mm	800mm	640mm
D5450/Q/16/PSS	9457455062302	D5450/Q/16 OA 800 CTC 640 PSS	16mm	50mm	80mm	800mm	640mm
D5450/Q/16/SSS	9457455062301	D5450/Q/16 OA 800 CTC 640 SSS	16mm	50mm	80mm	800mm	640mm
D5450/R/14/PSS	9457454581302	D5450/R/14 OA 700 CTC 540 PSS	14mm	48mm	75mm	700mm	540mm
D5450/R/14/SSS	9457454581301	D5450/R/14 OA 700 CTC 540 SSS	14mm	48mm	75mm	700mm	540mm
D5450/R/16/PSS	9457454582302	D5450/R/16 OA 700 CTC 540 PSS	16mm	50mm	80mm	700mm	540mm
D5450/R/16/SSS	9457454582301	D5450/R/16 OA 700 CTC 540 SSS	16mm	50mm	80mm	700mm	540mm
D5450/S/14/PSS	9457453891302	D5450/S/14 OA 600 CTC 440 PSS	14mm	48mm	75mm	600mm	440mm
D5450/S/14/SSS	9457453891301	D5450/S/14 OA 600 CTC 440 SSS	14mm	48mm	75mm	600mm	440mm
D5450/S/16/PSS	9457453892302	D5450/S/16 OA 600 CTC 440 PSS	16mm	50mm	80mm	600mm	440mm
D5450/S/16/SSS	9457453892301	D5450/S/16 OA 600 CTC 440 SSS	16mm	50mm	80mm	600mm	440mm
D5450/T/14/PSS	9457453201302	D5450/T/14 OA 500 CTC 340 PSS	14mm	48mm	75mm	500mm	340mm
D5450/T/14/SSS	9457453201301	D5450/T/14 OA 500 CTC 340 SSS	14mm	48mm	75mm	500mm	340mm
D5450/T/16/PSS	9457453202302	D5450/T/16 OA 500 CTC 340 PSS	16mm	50mm	80mm	500mm	340mm
D5450/T/16/SSS	9457453202301	D5450/T/16 OA 500 CTC 340 SSS	16mm	50mm	80mm	500mm	340mm
D5450/U/14/PSS	9457452481302	D5450/U/14 OA 400 CTC 240 PSS	14mm	48mm	75mm	400mm	240mm
D5450/U/14/SSS	9457452481301	D5450/U/14 OA 400 CTC 240 SSS	14mm	48mm	75mm	400mm	240mm
D5450/U/16/PSS	9457452482302	D5450/U/16 OA 400 CTC 240 PSS	16mm	50mm	80mm	400mm	240mm
D5450/U/16/SSS	9457452482301	D5450/U/16 OA 400 CTC 240 SSS	16mm	50mm	80mm	400mm	240mm
<b>ACCESSORIES - EXTENDED FIXINGS</b>							
DF14/M5/75 PSS	9459751455102	14MM DISK FIX PSS PAIR M5X75MM					
DF14/M5/75 SSS	9459751455101	14MM DISK FIX SSS PAIR M5X75MM					
DF16/M5/75 PSS	9459751655102	16MM DISK FIX PAIR M5X75MM PSS					
DF16/M5/75 SSS	9459751655101	16MM DISK FIX PAIR M5X75MM SSS					
<b>ACCESSORIES - GLASS FIXINGS</b>							
GDF14/M5/50 PSS	9459501455102	14MM GLASS DISK FIX PAIR PSS M5X50MM					
GDF14/M5/50 SSS	9459501455101	14MM GLASS DISK FIX PAIR SSS M5X50MM					
GDF16/M5/50 PSS	9459501655102	16MM GLASS DISK FIX PAIR M5X50MM PSS					
GDF16/M5/50 SSS	9400000014107	16MM GLASS DISK FIX PAIR M5X50MM SSS					