

DORMA OFFERS RED EXIT PUSH BUTTONS FOR A VARIETY OF ACCESS CONTROL SOLUTIONS.

DORMA PB Series red push buttons are available in a selection of functions and options for request-to-exit applications. Momentary, maintained, or time-delay switches are available.

DORMA Solutions

PBEPO/PBEP1 SERIES

- Large 1-5/8" (41.3 mm) diameter red button
- Tamper-resistant push button
- 0–45 second adjustable timer

PBRE2/PBRE3 SERIES

- Large 1-3/4" (44.5 mm) diameter red mushroom button
- #6-32 stainless steel tamper-resistant spanner head screws and driver included

PBE03 SERIES

- Extra large 2-3/8" (60.3 mm) diameter red mushroom button
- 1/4" thick extruded aluminum faceplate with beveled edges
- #6-32 stainless steel tamper-resistant spanner head screws and driver included

Finish

PBEPO/PBEP1 MODELS

- Stainless: 630

PBRE2/PBRE3/PBE03 MODELS

- Aluminum: 628 (Clear Anodized)
- Bronze: 710 (Dark Anodized)

Options

Switch Functions

- PBRE2/PBRE3/PBE03:
MO—1 MO SPST NO, 1 MO SPST NC, 10 A @ 24 VDC
- PBRE2/PBRE3/PBE03:
EA—1 Adj. DPDT 1 sec–34 hr, 5 A @ 24 V
- PBRE2/PBRE3/PBE03:
MA—1 MA SPST NO, 1 MA SPST NC, 10 A @ 24 VDC
- PBEPO/PBEP1:
PA—1 Adj. SPST NO, 1 Adj. SPST NC, 1–45 sec, 5 A @ 125 VAC

Mounting Options

- SBX—Surface mount box, single gang
- RBX—Recess mount box, single gang



PBEPO
1-3/4" × 4-1/2"
(44.4 × 114.3 mm)



PBEP1
2-3/4" × 4-1/2"
(69.8 × 114.3 mm)



PBRE2
1-5/8" × 4-3/4"
(69.8 × 114.3 mm)

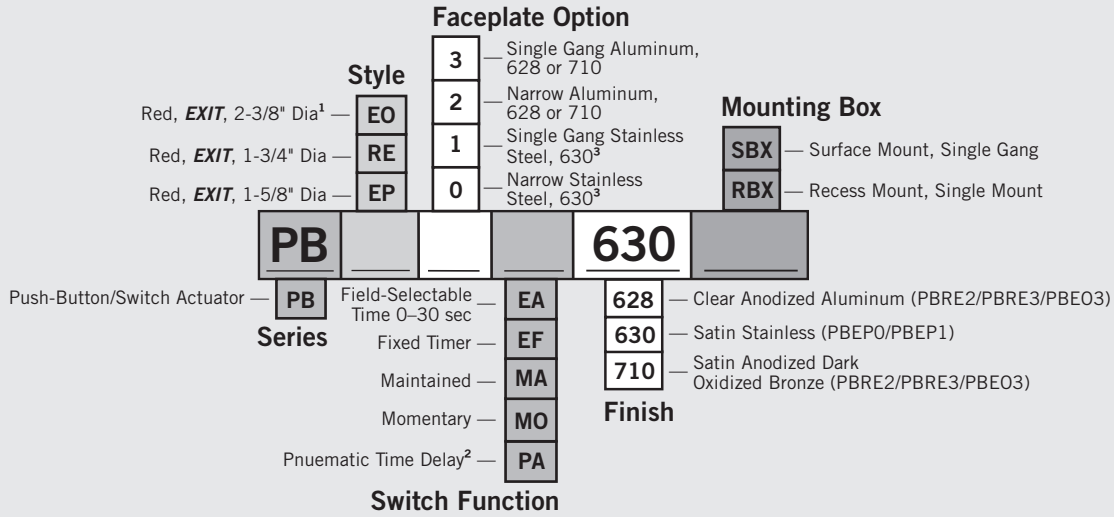


PBRE3
3" × 4-3/4"
(76.2 × 114.3 mm)



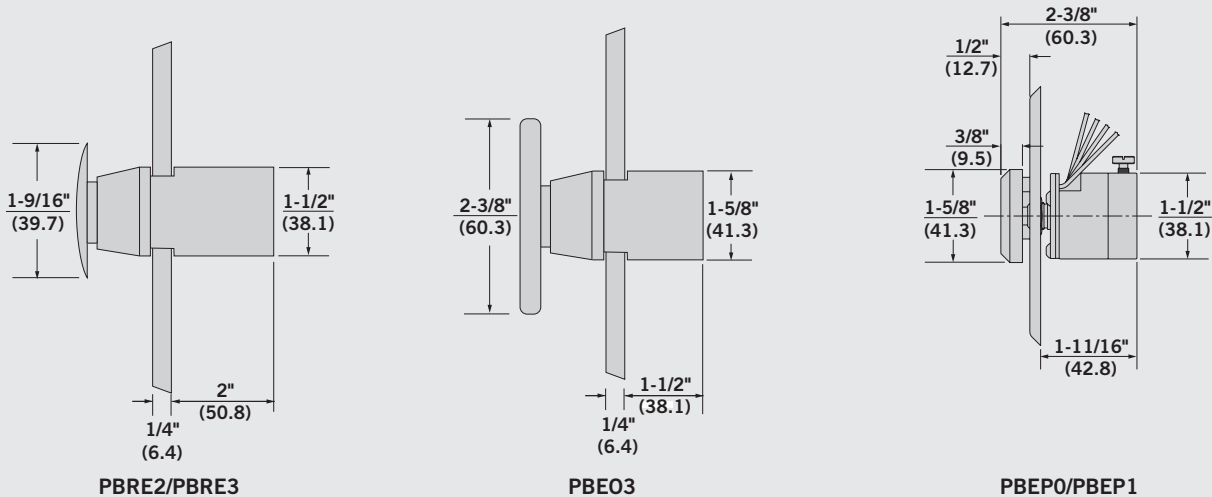
PBE03
3" × 4-3/4"
(76.2 × 114.3 mm)

How to Order PB Series Red



1. Style **EO** only available with faceplate option **3**.
2. Switch function **PA** only available w/ button style **EP** and faceplate option **0 & 1**.
3. Faceplate option **0 & 1** only available with switch function **PA**.

Side Profiles



DORMA also offers a complete line of Electromagnetic Locks, Electric Strikes, Door Controls, Power Supplies, Switches, Keypads & Readers, Exit Devices, Systems & Door Hardware.

DORMA Americas
www.dorma-usa.com

DORMA
DORMA Drive, Drawer AC
Reamstown, PA 17567-0411
Tel: (800) 523-8483
Fax: (800) 274-9724
archdw@dorma-usa.com

DORMA Canada
1680 Courtney Park Drive, Unit 13
Mississauga, Ontario L5T 1R4
Tel: (800) 387-4938
Fax: (905) 670-5850
sales@dormacanada.com

DORMA Mexico, S. de R.L. de C.V.
Calle Sur 110, no. 63, Col. Tolteca
01150 México, D.F.
Tel: (52+55) 5272-6937
Fax: (52+55) 5272-6948
operacion@dorma.com.mx