



## LT Series

# Grade 2 Tubular leverset

The LT series leverset is designed specifically to meet the requirements of AS1428.1 – Design for access and mobility. Suitable for the day to day use in light to medium duty areas such as interior fit-outs, offices and residential applications and is supplied with a 75mm rose and an adjustable 60/70mm adjustable latch as standard.

### Construction

- Exposed trim – Brass
- Lever – Zinc die cast

### Latch & Backset

- 12.7mm throw stainless steel latch
- Standard 60/70mm adjustable backset
- 127mm backset available as accessory
- Faceplate (25.4mm x 57mm)

### Strike

T shape strike (28.2mm x 69.5mm x 2mm)

### Door thickness

Suitable for doors 35mm to 45mm thick

### Fire Rated

LT Series locks conform to the Australian lock standard AS-4145.2-2008, and the Australian Standard AS-1905 Part 1 Fire resistant doors.

### Keying

Supplied with standard solid brass 107 (KnK PD type) cylinder on C4 6 pin, individually keyed with 3 keys per lock. Suitable for Master keying, construction and Restricted systems

### Door handing

Non handed design suitable for both left and right hand doors

### Finishes

Satin chrome plate - SCP

### Accessories

A comprehensive range of latches, extension tubes and rebate kits are available as accessories.

### Features at a glance:

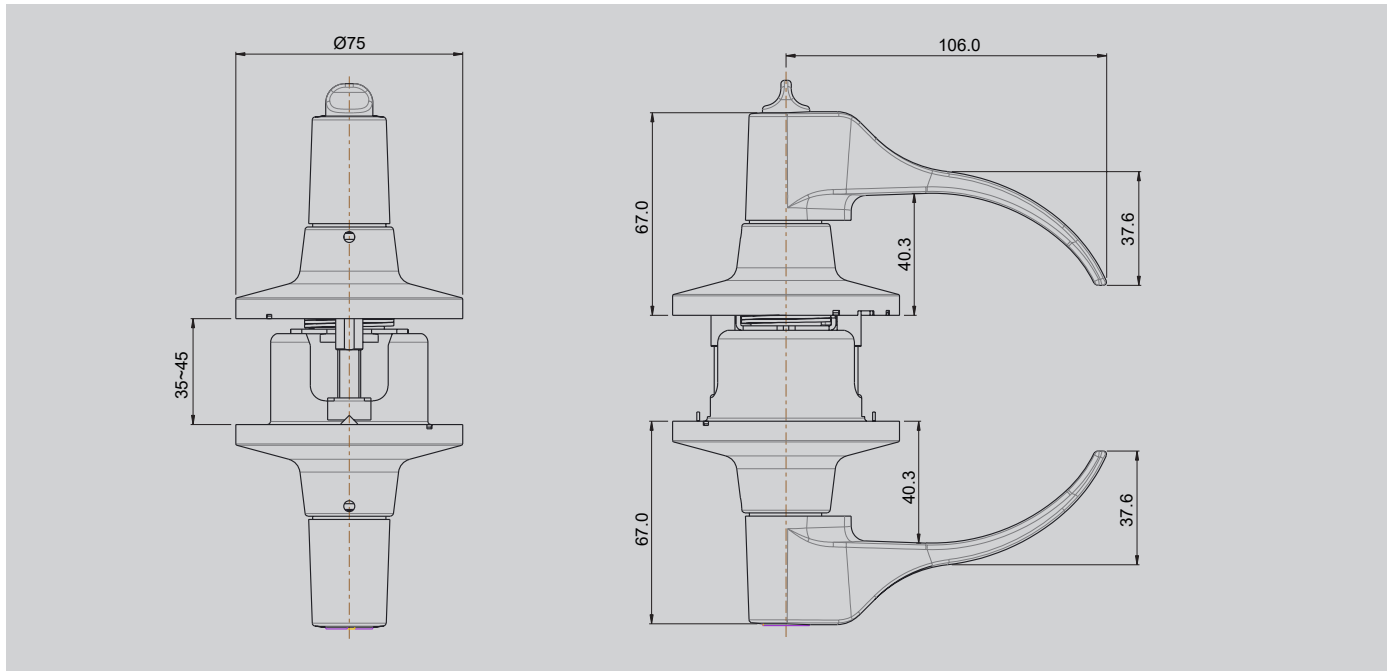
- Non-Handed field reversible for left or right-hand doors
- ANSI A156.2 Grade 2 (light/Medium duty)
- Fire rated (TBA)
- 75mm rose
- 60/70mm adjustable latch (127mm option)
- Anti-twist studs and latch cage supplied standard
- Standard 54mm door preparation
- Lever design & push button locking meets requirements of AS1428.1



dormakaba Australia  
Head Office  
12-13 Dansu Court  
Hallam VIC 3803  
T: 1800 675 411  
info.au@dormakaba.com  
www.dormakaba.com.au

dormakaba New Zealand  
Head Office  
Building P, 61-69 Patiki Road  
Avondale, Auckland 1026  
T: 0800 436 762  
info.nz@dormakaba.com  
www.dormakaba.co.nz

# Dimensions and Function Chart



## LT10SCP Passage Set

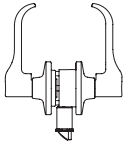
9460018000001

### Outside

Lever is always free

### Inside

Lever is always free for immediate exit



## LT80SCP Storeroom Set

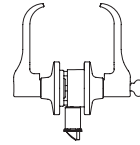
9460018000601

### Outside

Lever is always fixed. Key retracts latchbolt only.

### Inside

Lever is always free for immediate exit



## LT40SCP Privacy Set

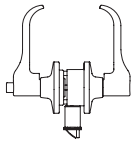
9460018000201

### Outside

Opened by lever when unlocked. Pushing button on inner lever locks the outer lever. Screwdriver or similar tool will release lever in case of emergency

### Inside

Lever is always free for immediate exit



## LT170SCP Dummy Set

9460018000701

### Outside

Single dummy trim for one side of door. Pull only. Concealed fix.



## LT53SCP Entrance Set

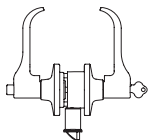
9460018000301

### Outside

Pushing button on inner lever locks outer lever. Turning key releases button leaving lever unlocked.

### Inside

Lever is always free for immediate exit



## LT70SCP Classroom Set

9460018000501

### Outside

Full turn with key in outer lever locks or unlocks outer lever only.

### Inside

Full turn with key in locks or unlocks both levers.

