



EM Comfort

Standard Electromagnetic Locks

Standard
Electromagnetic
Locks

EM Comfort Line

Smart and Economic Security

EM Comfort Line (EMC) offers simple and economical locking solution for security access control systems. All locks are fail safe mode, meaning that in the case of power failure the doors will release ensuring effective emergency exit. Available in all standard holding force fulfilling the majority of security demands.

Before installing electro-magnets on fire doors please check with the fire door manufacturer to ensure compliance

Benefits

- Easy installation with adjustable mounting plate
- Low energy consumption
- No residual magnetism via anti-residual device
- 200.000 test cycles
- Medium corrosion resistance: grade 2 according to EN1670 (salt spray tested to 48 hours)
- 2-year warranty
- RoHS and CE certification

Type	Features					Door Type			
	Holding force	Installation	Voltage 12/24 V DC	Lock status sensor	LED green/red	Single-/ Doubleleaf doors	Outswing doors L-bracket	Inswing doors L+Z bracket	Glass doors U-bracket
EMC 400 AH	1779 N	Surface	●	●	-	Single	●	●	●
EMC 600 ALH	2668 N	Surface	●	●	●	Single	●	●	●
EMC 600 AM	2668 N	Mortise	●	●	-	Single	-	-	-
EMC 1200 ALH	5337 N	Surface	●	●	●	Single	●	●	-
EMC 600-2 ALH	2668 N x 2	Surface	●	●	●	Double	●	●	-
EMC 1200-2 ALH	5337 N x 2	Surface	●	●	●	Double	●	●	-

● yes - no

Note: The holding force on the door is dependent on the specific type of installation.

Article designations, abbreviations

The article designation indicates the holding force and the characteristics of the lock magnets, e.g. EMC 600 ALH = 600 lbf holding force (EMC 600-2 ALH = 2x 600 lbf holding force) with lock status sensor (A) and status LED (L), designed for surface mounting (H).

A = Lock Status Sensor

A bond sensor will initiate an LED to inform locally or report remotely of lock status (locked or unlocked).

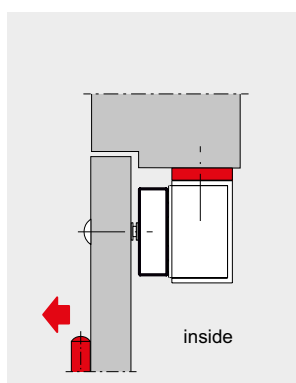
L = LED

Red/ green LED indication of lock status (red= locked, green=unlocked)

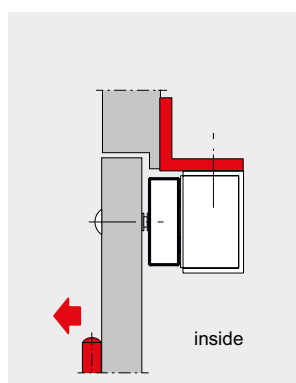
H = Surface-mounted

M = Mortise-mounted
2= double lock

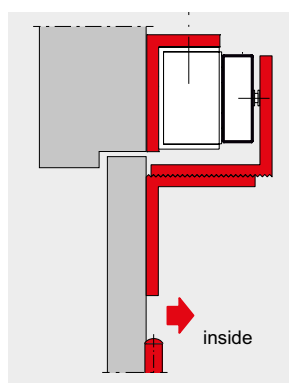
Regular installation



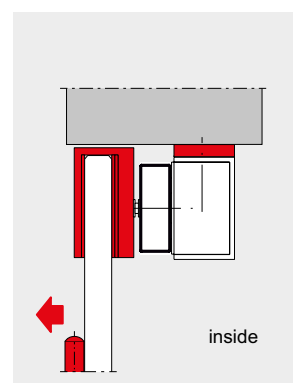
L-bracket for narrow door frame



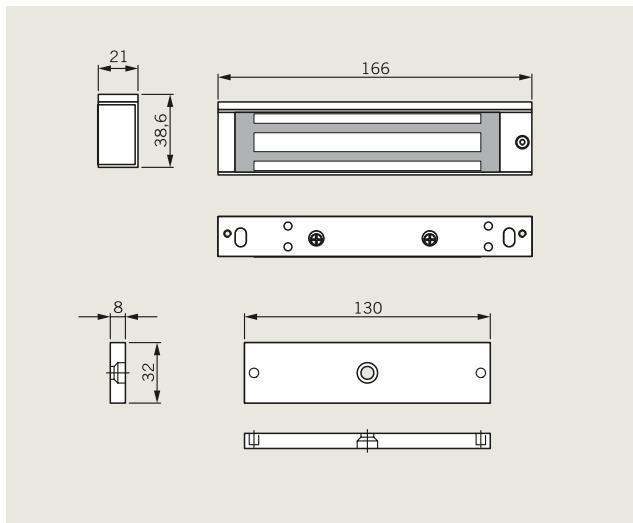
L+Z bracket for inswing doors



U-bracket for frameless glass doors

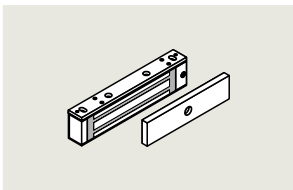
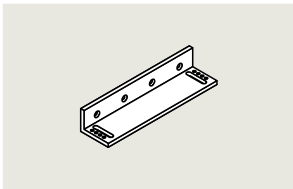
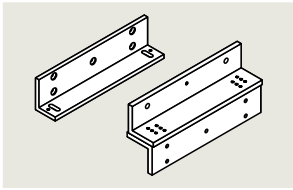
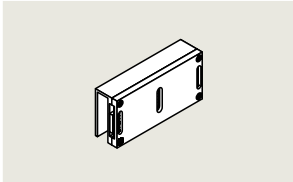


EMC 400 AH

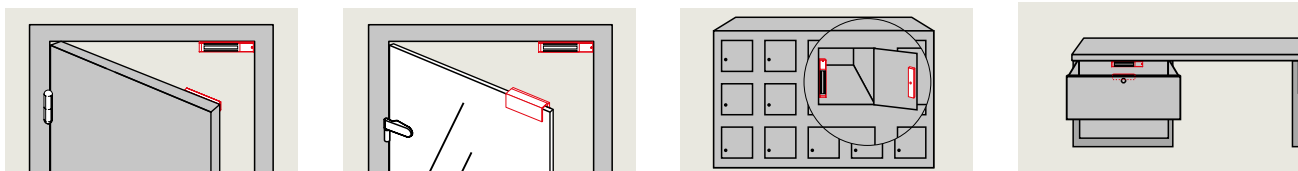


Technical data

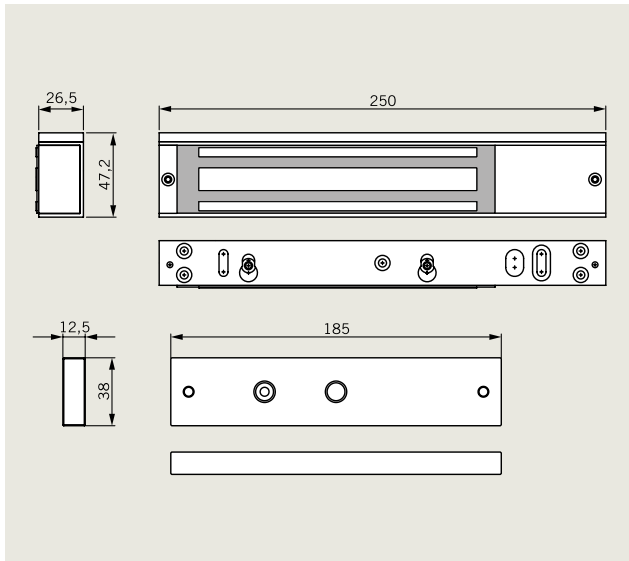
Holding force	400 lbf (1779 N)
Installation	Surface-mounted
Magnet housing dimensions	166L x 38.6W x 21H mm
Armature plate dimensions	130L x 32W x 8H mm
Operation principle	Fail-safe (power to lock)
Power supply	12/ 24 V DC
Current	360 mA/ 180 mA
Lock status sensor	yes
LED indication LSS	no
Operation temperature	-20°C to 55°C
IP class	20
Certification	RoHS, CE
Warrenty	2 years
Applicaton	Interior (light internal doors, glass doors, cabinets, drawers, etc.)

	Specification text	Order No.
	EMC 400 AH Single surface-mounted electromagnetic lock with 400 lbf (1779 N) holding force, surface-mounted, with lock status sensor, anodized aluminium finish	19860500
	L-bracket 400 L-bracket for EMC 400 AH	19860520
	L+Z bracket 400 L+Z bracket set for EMC 400 AH	19860523
	UBG-10/12 for EMC 400 AH U-formed glass door bracket for fixing armature plate of EMC 400 AH on 10/12 mm thick glass doors	19860528

Typical Application



EMC 600 ALH

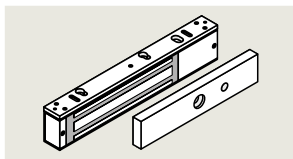


Technical data

Holding force	600 lbf (2668 N)
Installation	Surface-mounted
Magnet housing dimensions	250L x 47.2W x 26.5H mm
Armature plate dimensions	185L x 38W x 12.5H mm
Operation principle	Fail-safe (power to lock)
Power supply	12/ 24 V DC
Current	500 mA/ 250 mA
Lock status sensor	yes
LED indication LSS	yes
Operation temperature	-20°C to 55°C
IP class	20
Certification	RoHS, CE
Warrenty	2 years
Applicaton	Interior (glass doors, internal swing doors with access control equipment which does not have to be resistant to heavy attacks)

Specification text

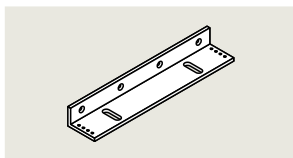
Order No.



EMC 600 ALH

Single surface-mounted electromagnetic lock with 600 lbf (2668 N) holding force, surface-mounted, with lock status sensor and red/green LED indicator, anodized aluminium finish

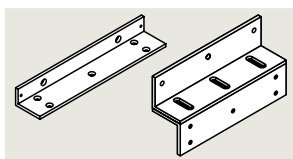
19860501



L-bracket 600

L-bracket for EMC 600 ALH and EMC 600-2 ALH

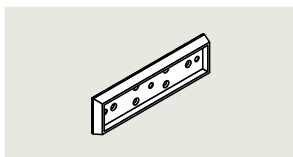
19860521



L+Z bracket 600

L+Z bracket for EMC 600 ALH and EMC 600-2 ALH

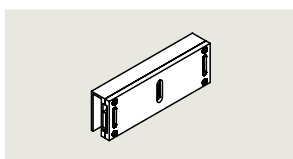
19860524



Armature plate holder 600

Armature plate holder for EMC 600 ALH and EMC 600-2 ALH

19860526

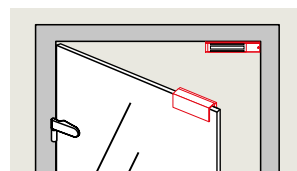
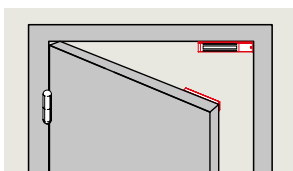


UBG-10/12 for EMC 600 AH

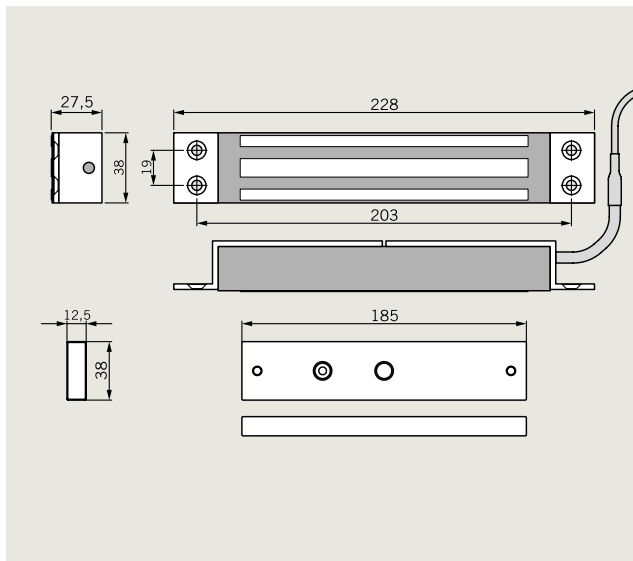
U-formed glass door bracket for fixing armature plate of EMC 600 AH on 10/12 mm thick glass doors

19860529

Typical Application



EMC 600 AM

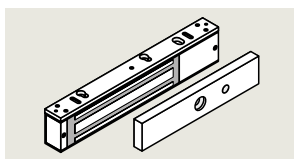


Technical data

Holding force	600 lbf (2668 N)
Installation	Mortise-mounted
Magnet housing dimensions	228L x 38W x 27.5H mm
Armature plate dimensions	185L x 38W x 12.5H mm
Operation principle	Fail-safe (power to lock)
Power supply	12/ 24 V DC
Current	500 mA/ 250 mA
Lock status sensor	yes
LED indication LSS	no
Operation temperature	-20°C to 55°C
IP class	20
Certification	RoHS, CE
Warrenty	2 years
Applicaton	Interior (sliding doors, internal swing doors with access control equipment which does not have to be resistant to heavy attacks)

Specification text

Order No.

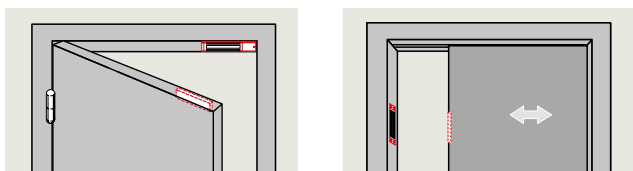


EMC 600 AM

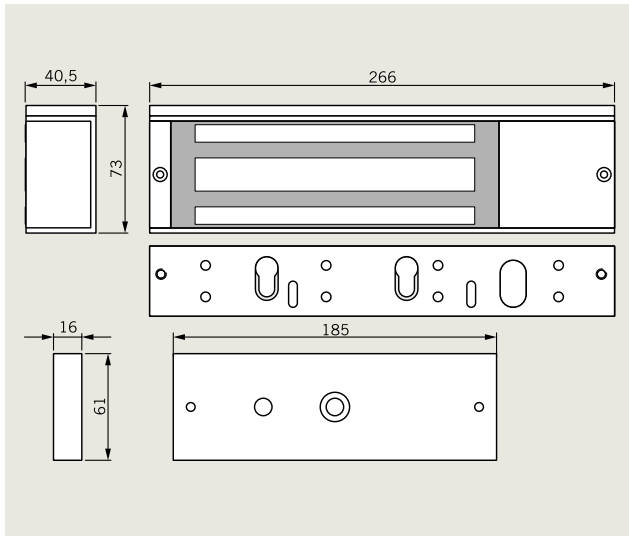
Single mortise-mounted electromagnetic lock with 600 lbf (2668 N) holding force, mortise-mounted, with lock status sensor

19860502

Typical Application



EMC 1200 ALH

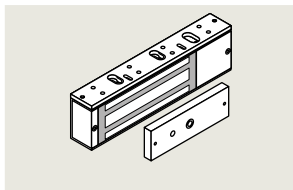


Technical data

Holding force	1200 lbf (5338 N)
Installation	Surface-mounted
Magnet housing dimensions	266L x 73W x 40.5H mm
Armature plate dimensions	185L x 61W x 16H mm
Operation principle	Fail-safe (power to lock)
Power supply	12/ 24 V DC
Current	500 mA/ 250 mA
Lock status sensor	yes
LED indication LSS	yes
Operation temperature	-20°C to 55°C
IP class	20
Certification	RoHS, CE
Warrenty	2 years
Applicaton	Interior (high resistant swing doors, entry doors fitted with high security access control systems)

Specification text

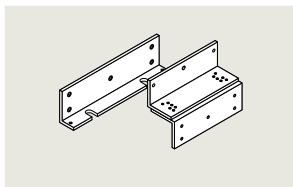
Order No.



EMC 1200 ALH

Single surface-mounted electromagnetic lock with 1200 lbf (5338 N) holding force, surface-mounted, with lock status sensor and red/green LED indicator, anodized aluminium finish

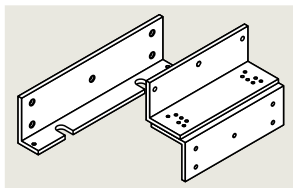
19860504



L-bracket 1200

L-bracket for EMC 1200 ALH and EMC 1200-2 ALH

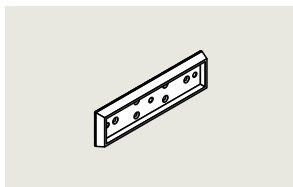
19860522



L+Z bracket 1200

L+Z bracket for EMC 1200 ALH and EMC 1200-2 ALH

19860525

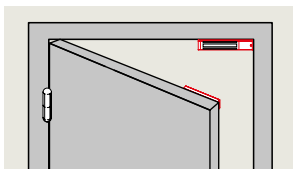


Armature plate holder 1200

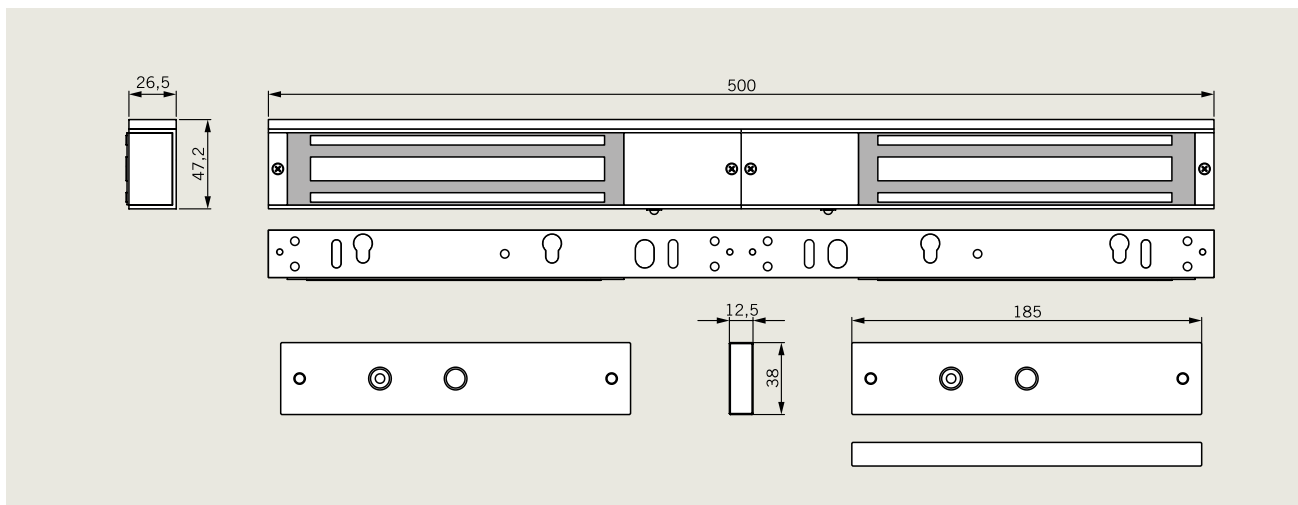
Armature plate holder for EMC 1200 ALH and EMC 1200-2 ALH

19860527

Typical Application

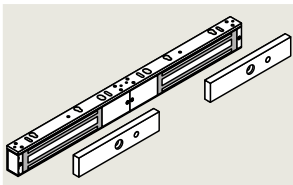
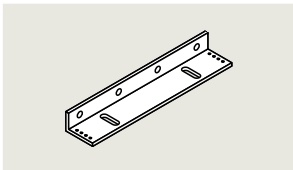
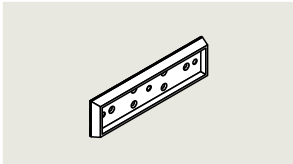


EMC 600-2 ALH

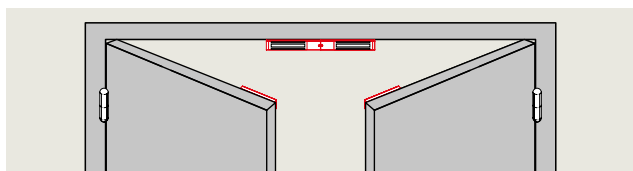


Technical data

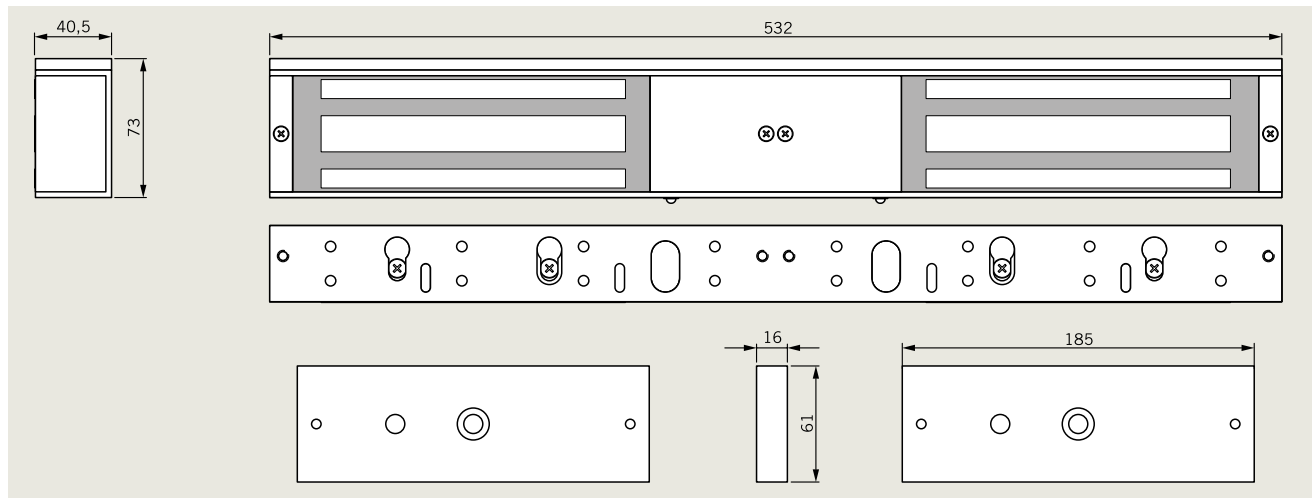
Holding force	600 lbf (2668 N) x 2	LED indication LSS	yes (each magnet)
Installation	Surface-mounted	Operation temperature	-20°C to 55°C
Magnet housing dimensions	500L x 47.2W x 26.5H mm	IP class	20
Armature plate dimensions	185L x 38W x 12.5H mm x2	Certification	RoHS, CE
Operation principle	Fail-safe (power to lock)	Warrenty	2 years
Power supply	12/ 24 V DC	Applicaton	Interior (double-leaf internal swing doors with access control equipment which does not have to be resistant to heavy attacks)
Current	500 mA/ 250 mA (each magnet)		
Lock status sensor	yes (each magnet)		

	Specification text	Order No.
	EMC 600-2 ALH Double surface-mounted electromagnetic lock with 600 lbf (2668 N) holding force per magnet, surface-mounted, with lock status sensor and red/green LED indicator, anodized aluminium finish	19860503
	L-bracket 600 L-bracket for EMC 600 ALH and EMC 600-2 ALH	19860521
	Armature plate holder 600 Armature plate holder for EMC 600 ALH and EMC 600-2 ALH	19860526

Typical Application



EMC 1200-2 ALH

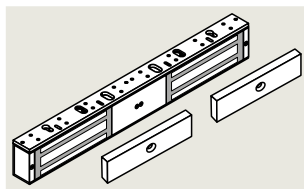


Technical data

Holding force	1200 lbf (5338 N) x 2	LED indication LSS	yes (each magnet)
Installation	Surface-mounted	Operation temperature	-20°C to 55°C
Magnet housing dimensions	532L x 73W x 40.5H mm	IP class	20
Armature plate dimensions	185L x 61W x 16H mm x2	Certification	RoHS, CE
Operation principle	Fail-safe (power to lock)	Applicaton	Interior (for double-leaf high resistant swing doors, entry doors fitted with high security access control systems)
Power supply	12/ 24 V DC		
Current	500 mA/ 250 mA (each magnet)		
Lock status sensor	yes (each magnet)		

Specification text

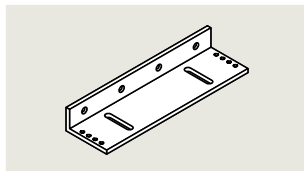
Order No.



EMC 1200-2 ALH

Double surface-mounted electromagnetic lock with 1200 lbf (5338 N) holding force per magnet, surface-mounted, with lock status sensor and red/green LED indicator, anodized aluminium finish

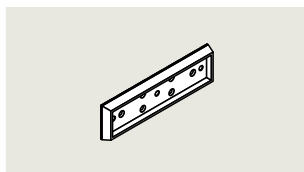
19860505



L-bracket 1200

L-bracket for EMC 1200 ALH and EMC 1200-2 ALH

19860522

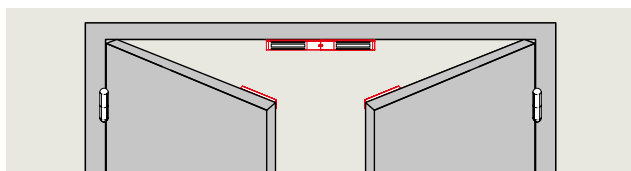


Armature plate holder 1200

Armature plate holder for EMC 1200 ALH and EMC 1200-2 ALH

19860527

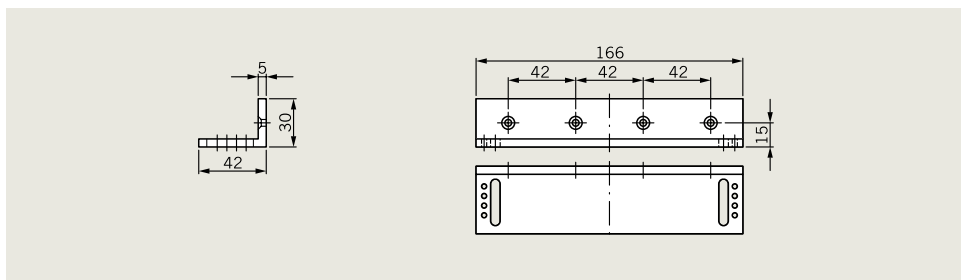
Typical Application



Accessories

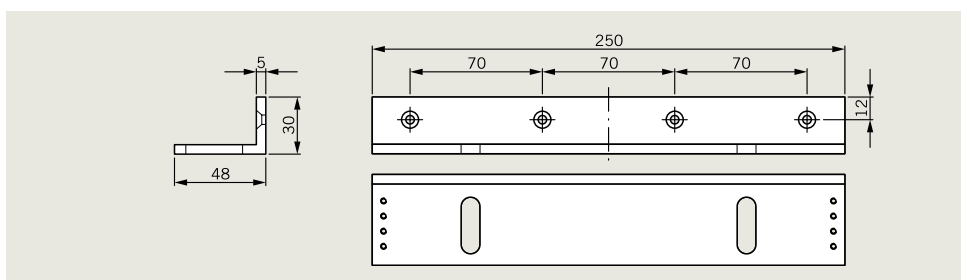
L-bracket 400

Order No. 19860520



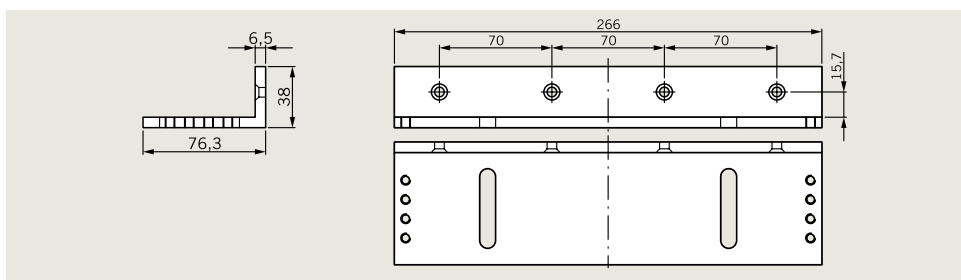
L-bracket 600

Order No. 19860521



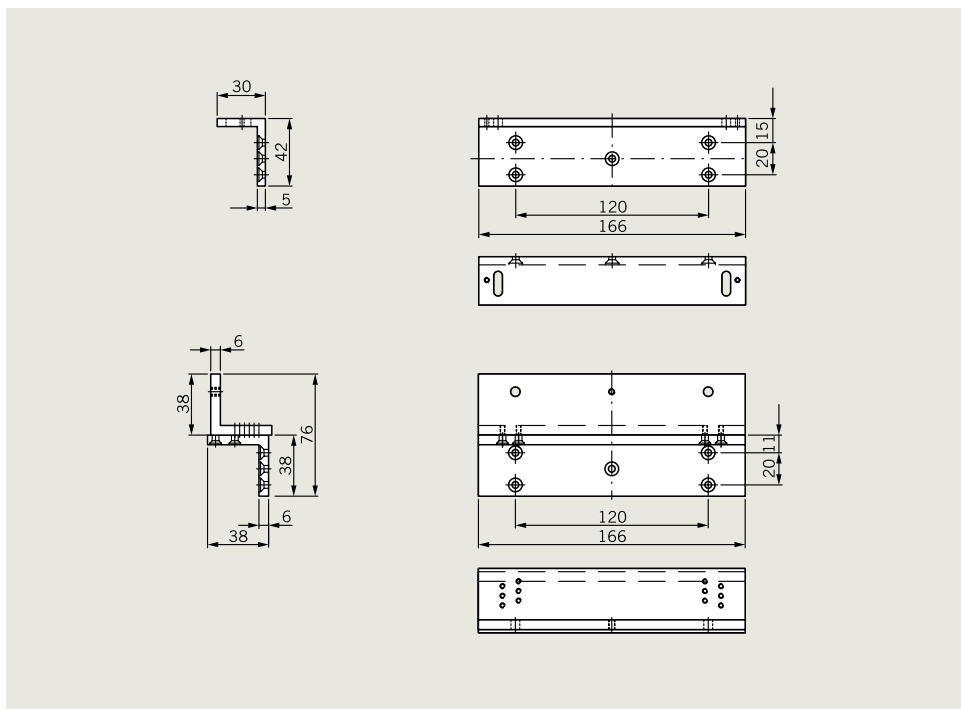
L-bracket 1200

Order No. 19860522



L+Z bracket 400

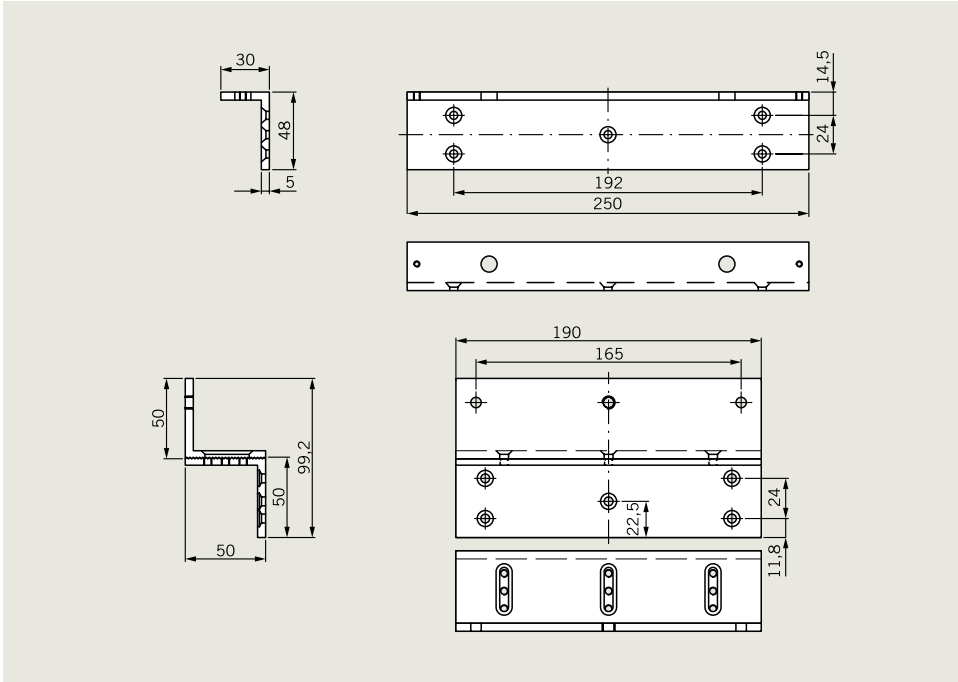
Order No. 19860523



Accessories

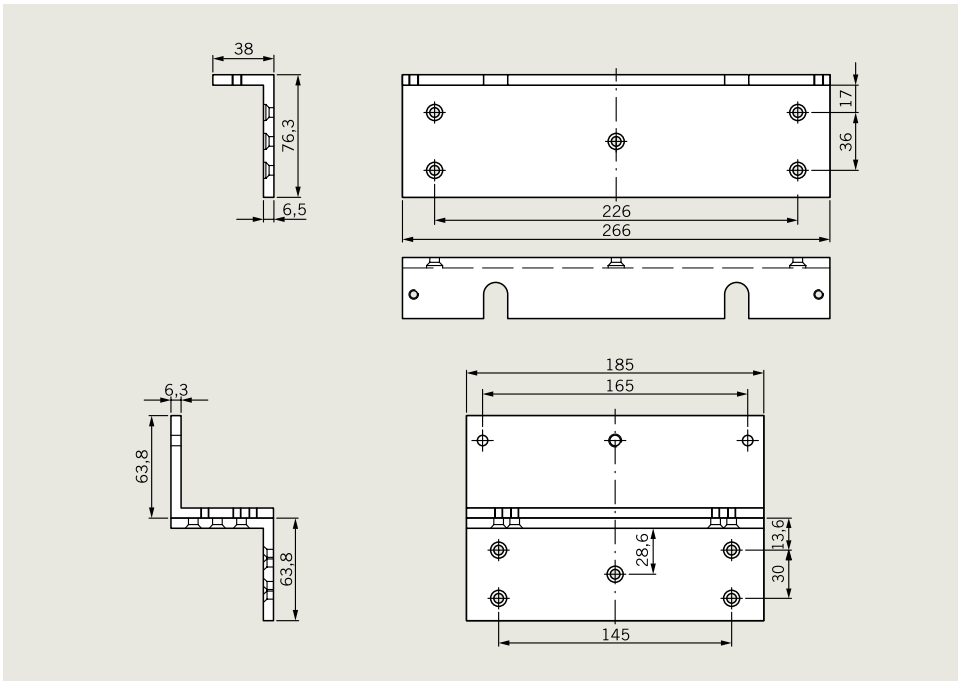
L+Z bracket 600

Order No. 19860524



L+Z bracket 1200

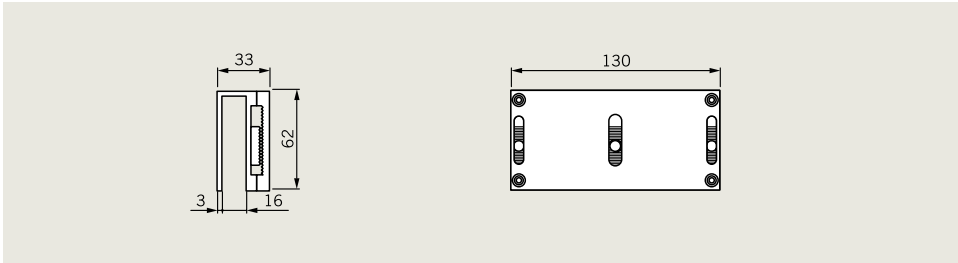
Order No. 19860527



UBG 10/12 for EMC 400

Glass door bracket

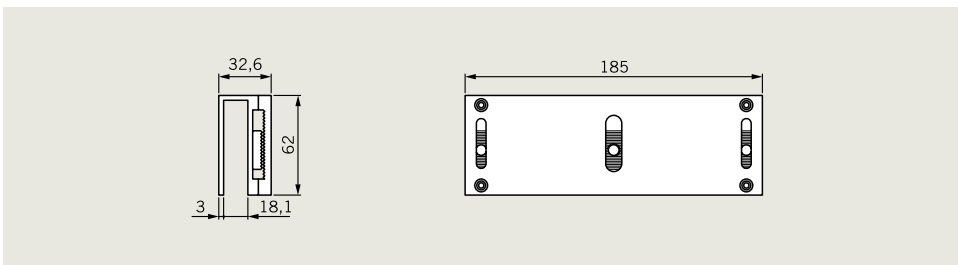
Order No. 19860528



UBG 10/12 for EMC 600

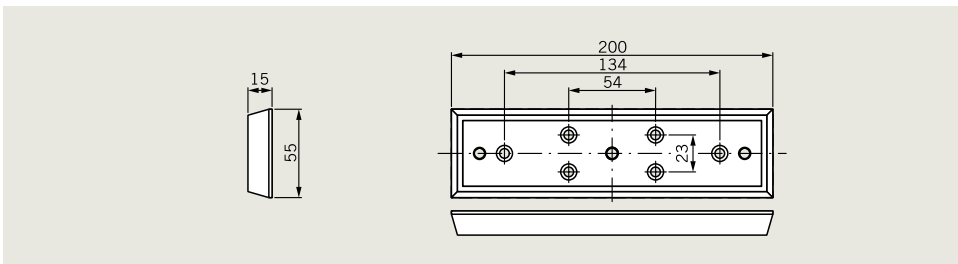
Glass door bracket

Order No. 19860529



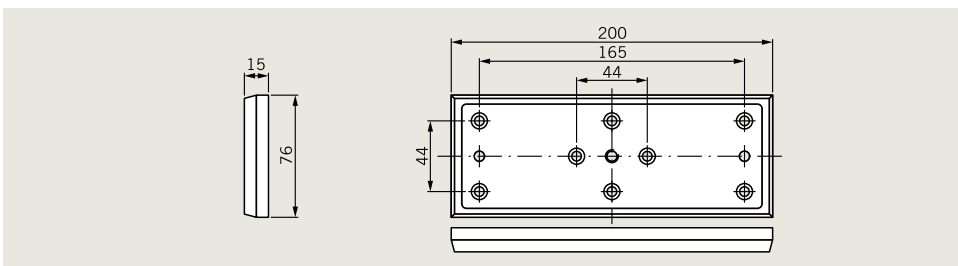
Armature plate holder 600

Order No. 19860526



Armature plate holder 1200

Order No. 19860527





**Door
Hardware**



**Electronic
Access & Data**



**Mechanical
Key Systems**



Lodging Systems



**Entrance
Systems**



**Interior Glass
Systems**



Safe Locks



Service

dormakaba UK & Ireland

Wilbury Way, Hitchin
SG4 0AB

T +44 01462 477600

info.gb@dormakaba.com

www.dormakaba.com