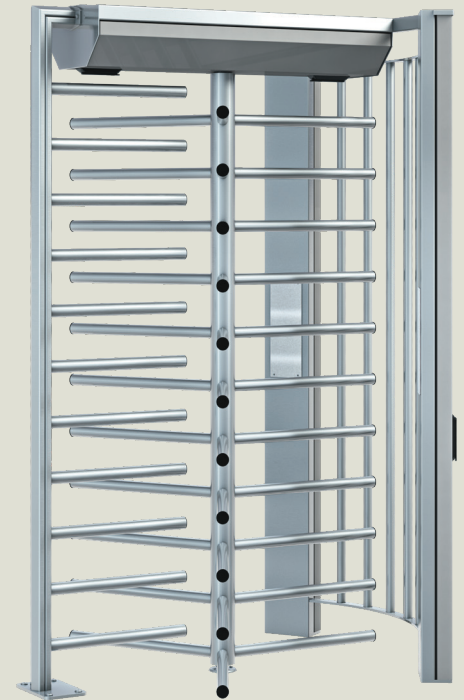


FTS-E05

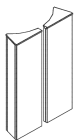
Most economical
full height turnstile

Standard units	FTS-E05
Construction column diameter	51-13/16" (1300 mm)
Portal width	59-1/16" (1500 mm)
Total height	89-3/8" (2270 mm)
Passage height	81-1/8" (2060 mm)
Passage width	25-7/16" (646 mm)
Portal and housing	Steel
Lockable maintenance opening	Aluminum
Rotating unit with tubular column, Ø3-1/2" (Ø89 mm)	120° each with 11 bar-shaped crossbars Ø1-9/16" (Ø40 mm) in hot-dip galvanized steel with black plastic cover caps.
Barrier element	With 11 straight horizontal crossbars Ø1-5/8" (Ø42 mm), made of steel.
Finish	Rotating unit made of steel, hot-dip galvanized steel elements.
Rotor	3-blade rotor
Function	Power assist—Power-assisted motion; servo-positioning drive/ electronically controlled in both directions (behavior in event of power failure can be selected for each direction: free or blocked).
Electrical equipment	Control system integrated in the unit.
Power supply	100 – 240 VAC, 50/60 Hz, 253 VA.
Standby power consumption	10 VA.
Installation	Finish floor
Protection classes	Housing IP33, components conducting supply voltage IP43.



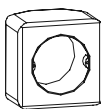
Optional components

Housing



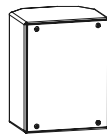
Housing with lockable front panel made of silver anodized aluminum, plastic-coated according to RAL or glossy stainless steel

Console 1



Plastic in color of unit or in RAL 9006
W: 3-11/16" (94 mm)
H: 3-11/16" (94 mm)
D: 2-9/16" (65 mm)

Console 2



Aluminum in color of unit or in RAL 9006
W: 5-1/2" (140 mm)
H: 7-1/16" (180 mm)
D: 4-5/16" (110 mm)

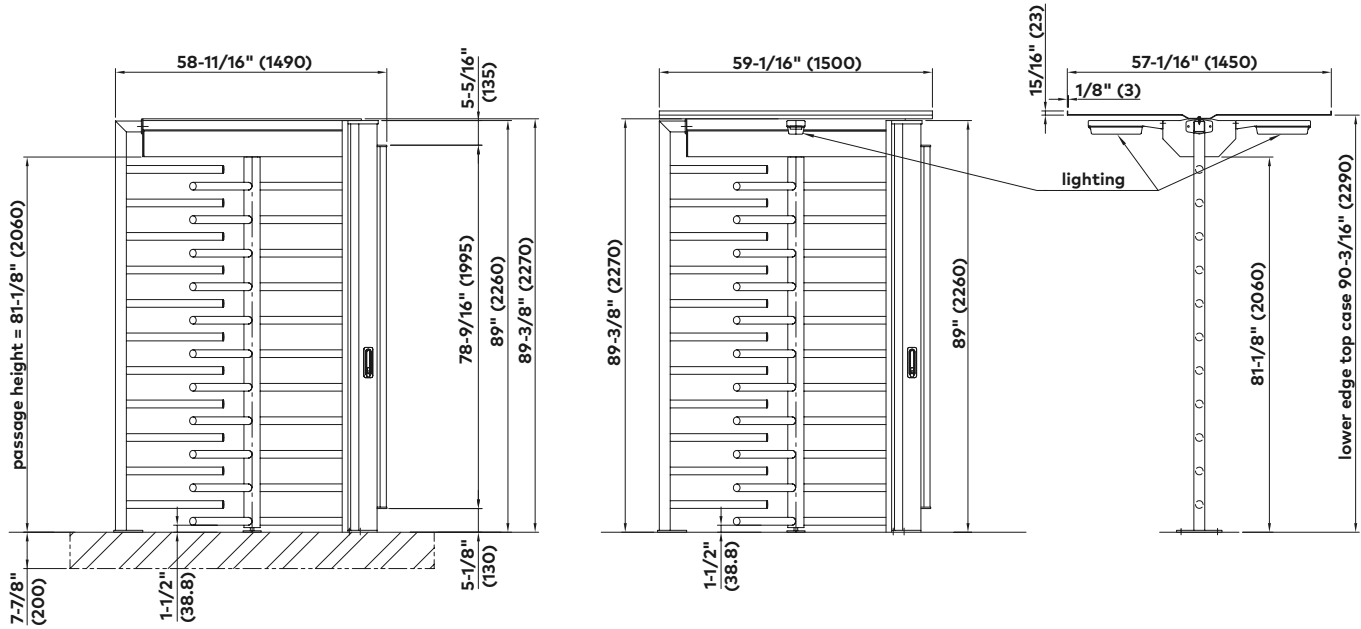
Console 3



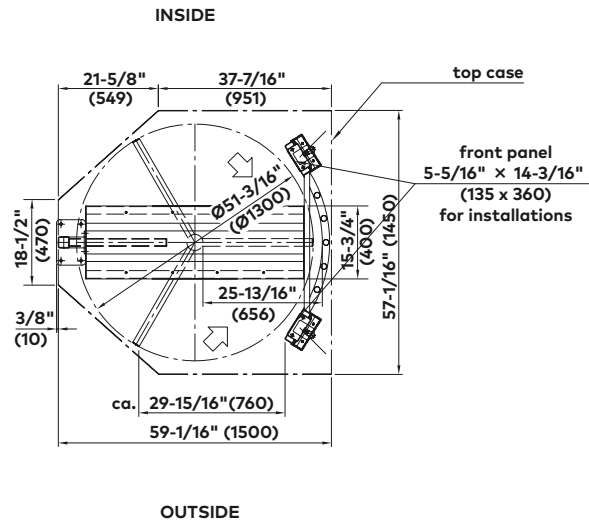
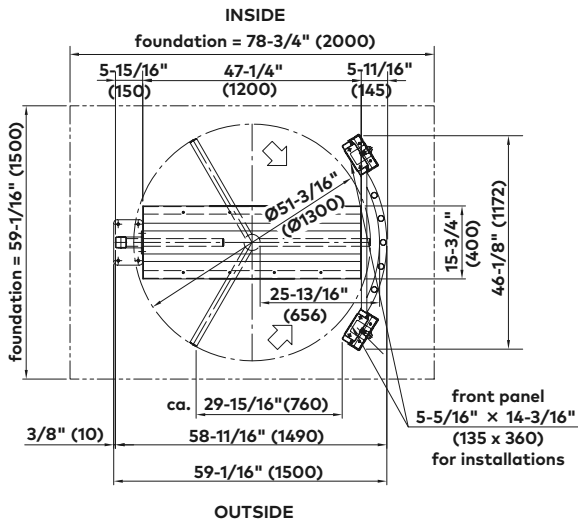
Aluminum in color of unit or in RAL 9006
W: 5-1/2" (140 mm)
H: 14-3/8" (365 mm)
D: 4-5/16" (110 mm)

FTS-E05

Installation drawings



Option: top case and lighting



Note
Dimensions shown as inches followed by millimeters; for example, 1" (25).