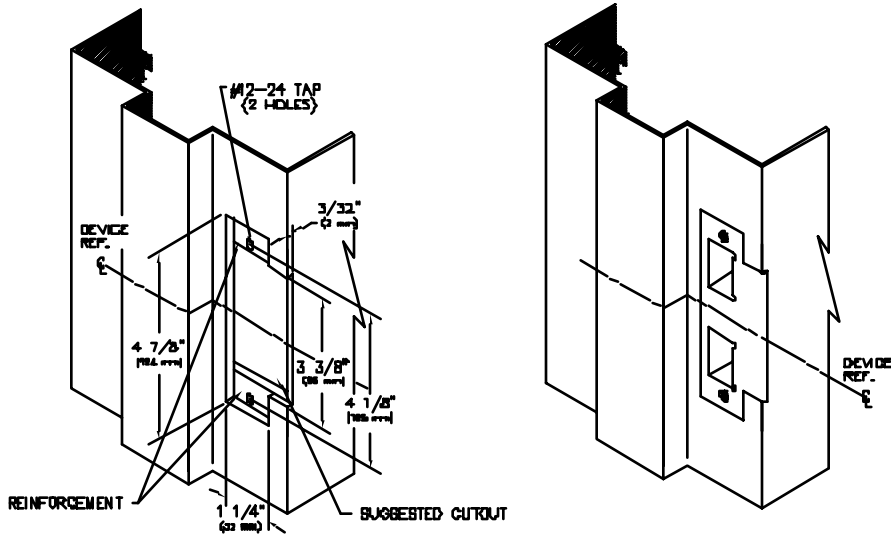


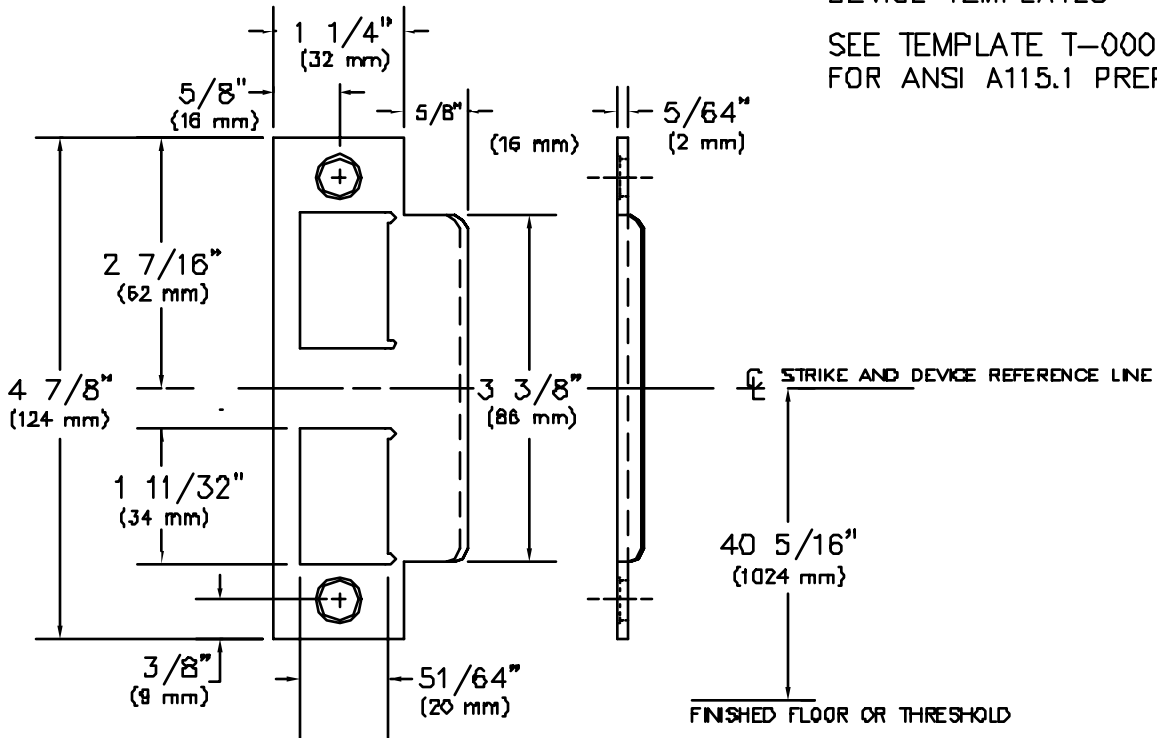
LHRB SHOWN
RHRB OPPOSITE

STANDARD PREP



FOR DEVICE FUNCTION
SEE APPROPRIATE
DEVICE TEMPLATES

SEE TEMPLATE T-0002
FOR ANSI A115.1 PREPARATION



NOT TO SCALE

REV. No. 1

REVISION: ADD NEW BORDER

DATE: 4-25-00



NO. 465 STRIKE
WHEN USED WITH 9500/F9500 SERIES
MORTISE TYPE EXIT DEVICE

TEMPLATE NUMBER
T-0115 ①