

Narrow Headers - 1" and 1-1/4"

with PT21/PT21M for single or paired doors

Installation instructions

933820 – 08-2018

| EN |

dormakaba 

Table of contents

1	Technical specifications	3
1.1	Overview	3
	1.1.1 General information	3
	1.1.2 Intended use	3
	1.1.3 Glass requirements/fittings/mounting	3
	1.1.4 Requirements for glass panel	3
	1.1.5 Safety instructions	3
	1.1.6 Symbols used - Safety/Installation	3
	1.1.7 Maintenance, care, repair	3
	1.1.8 Disposal	3
1.2	Pin diameter specifications	4
2	Installation instructions	4
2.1	Install narrow header for single or paired door: PT21/PT21M	4
2.2	Secure cover	5
2.3	PT21/PT21M adjustments	5

1 Technical specifications

1.1 Overview

These instructions are for installation of 1" and 1-1/4" headers for the following mounting and style versions:

1. Glass mounting

1.1.1 General information

- dormakaba requires use of tempered laminated or tempered monolithic glass.
- dormakaba glass hardware is not suitable for applications in rooms where chemicals (e.g. chlorine) are used such as indoor swimming pools, saunas, or salt-water pools.
- Do not swing doors with excessive force. Install limiting stop to prevent door from opening too far.

1.1.2 Intended use

- To house the PT21M overhead concealed pivot.

1.1.3 Glass requirements/fittings/mounting

- The substructure/wall must be able to bear permanent loads, be level (max. tolerance: 1/16" [2] per 39" [1m]).
- Fasteners must be sufficiently dimensioned for the substructure/wall and weight of the door.
- When adjusting glass elements, always stick to the required clearance for the respective hardware. Adjust clearance so glass does not come in contact with any hard surfaces such as glass, metal or concrete.
- Do not use excessive force when installing the glass (avoid over tightening screws.)

1.1.4 Requirements for glass panel

- dormakaba requires use of fully tempered glass, which complies with ASTM C 1036 and ASTM C 1048. Secondary heat soaking processes are recommended but not required. This applies to both tempered monolithic and tempered laminated glass.
- Clamping area must be flat and uncoated (no self-cleaning coating!)
- Never use glass with conchoidal fractures and/or damaged edges.

1.1.5 Safety instructions

- Installation requires two people.
- Only properly qualified and specially trained staff is authorized to mount dormakaba glass hardware.

- Due to crushing hazards and possible injury caused by breakage of glass during mounting, corresponding protective clothing (especially gloves and protective goggles) is required.
- Never clamp metal glass fitting hardware directly to glass surface.

1.1.6 Symbols used - Safety/Installation



CAUTION

Mounting components must meet the requirements of substructure/wall and door weight. Please read the technical information for fittings.



WARNING

Risk of breaking glass. When installing the door, support the door panel with a block of wood or similar object.



TIPS AND RECOMMENDATIONS

Universal PT21 pin diameter: 5/8" [15]
MUNDUS PT21M pin diameter: 9/16" [14]

1.1.7 Maintenance, care, repair

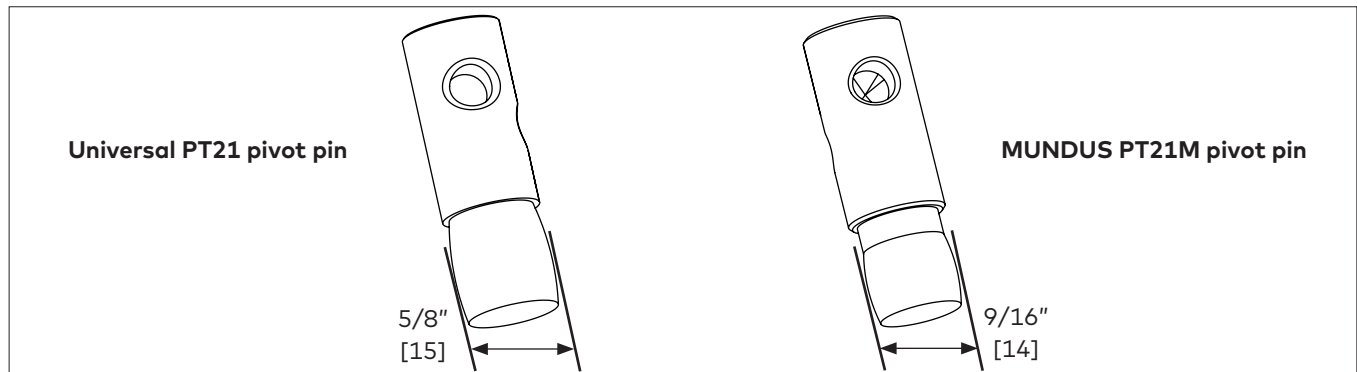
- Immediately replace damaged parts.
- Always use original dormakaba parts.
- Clean clamping area with alcohol-based standard commercial cleaning agent before mounting the glass hardware.
- Use a damp cloth for occasional cleaning.
- Always use silicone - and oil-free cleaners (e.g. acetone).
- Check glass hardware at regular intervals for proper positioning, smooth operation and correct adjustment.
- High traffic door systems require inspection by properly qualified staff (specialized companies or installation firms.)

1.1.8 Disposal

Disposal in accordance with local, state and national regulations.

1.2 Pin diameter specifications

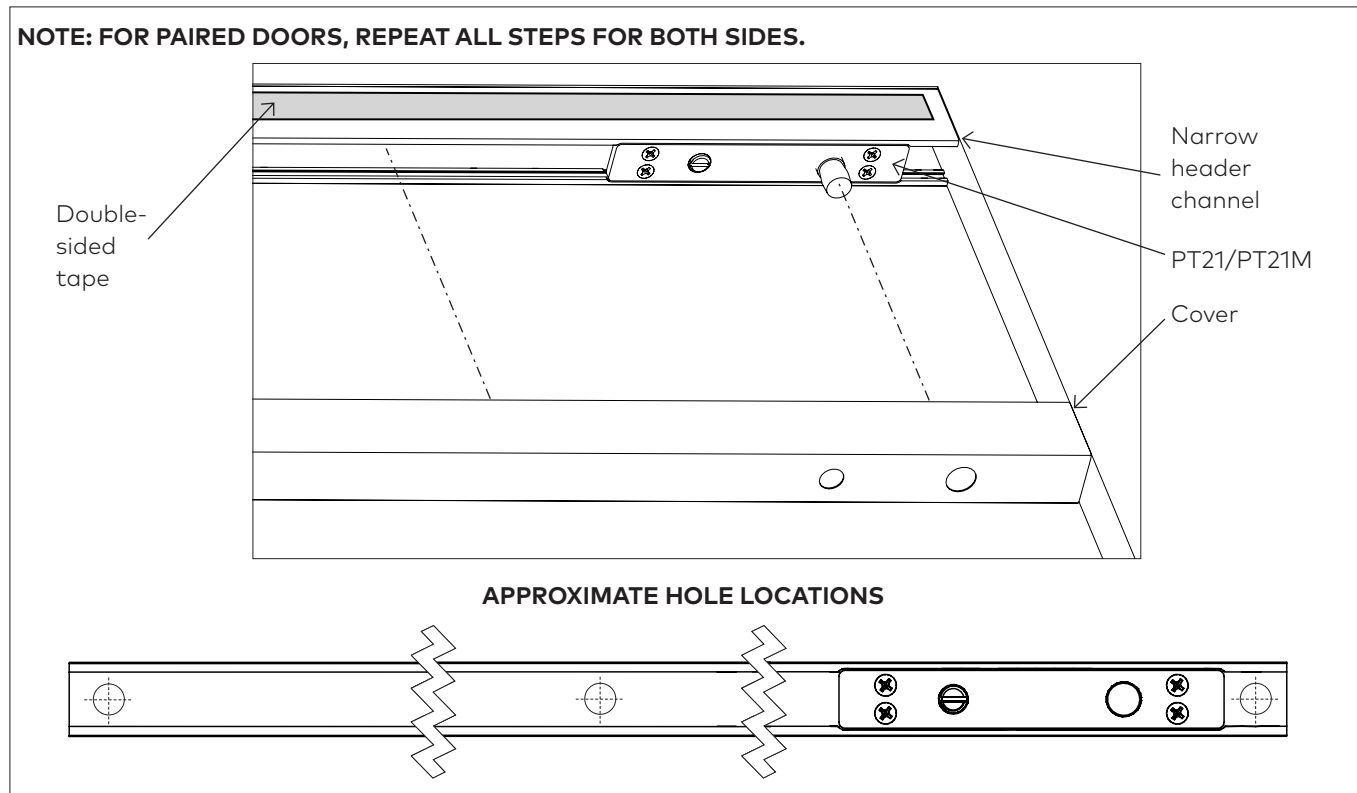
Fig. 1



2 Installation instructions

2.1 Install narrow header for single or paired door: PT21/PT21M

Fig. 2



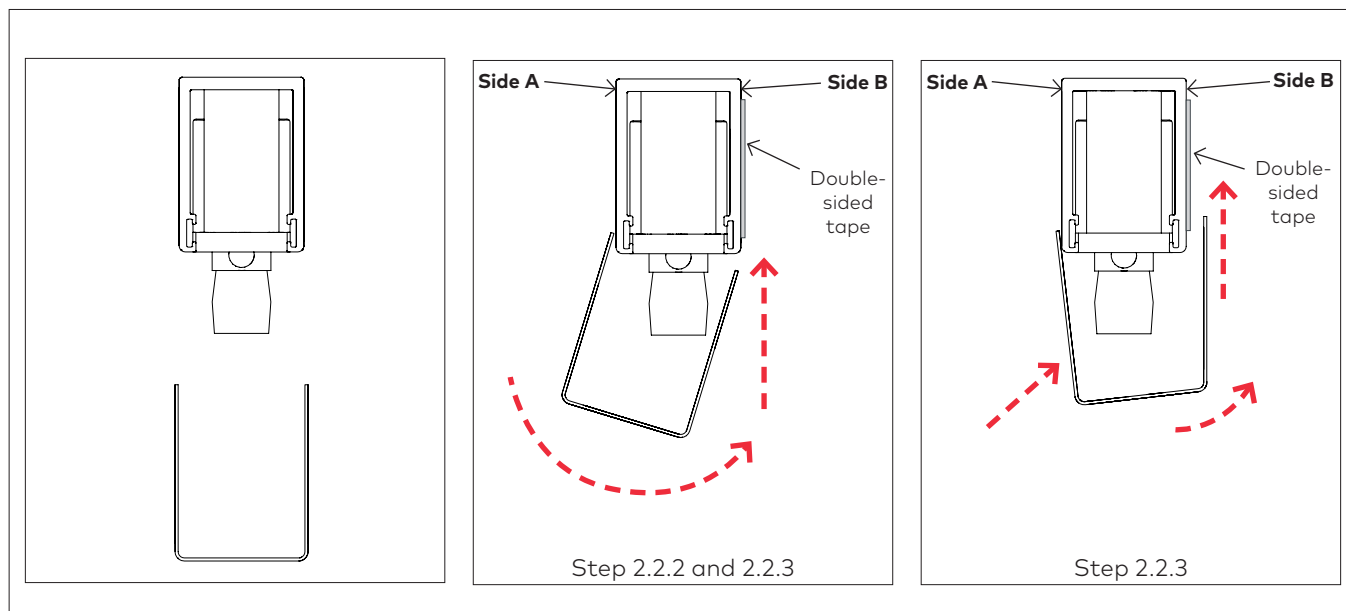
- 2.1.1 Remove cover from narrow header channel.
- 2.1.2 Pre-drill holes for installation.
- 2.1.3 Secure header to overhead frame using appropriate fasteners dependent upon application.

NOTE: Always ensure the proper fasteners and adequate number of fixing points for your specific field conditions.

- 2.1.4 For paired door applications, follow steps 2.1.1 through 2.1.4.

2.2 Secure cover

Fig. 3



⚠ NOTE: DOUBLE-SIDED TAPE IS PRE-ADHERED TO HEADER CHANNEL AND VERY STRONG.

⚠ BE SURE COVER DOES NOT CATCH EDGE OF TAPE, AS IT WILL BE DIFFICULT TO REMOVE IF PLACED IMPROPERLY.

2.2.3 Continue pressing and sliding cover upwards at an angle, ensuring cover-side B does not touch tape prematurely.

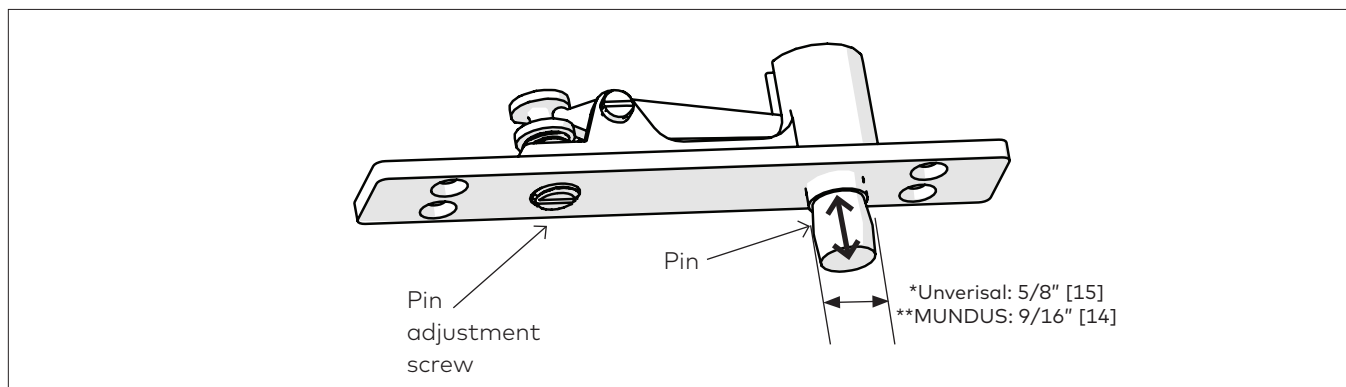
2.2.4 Once properly in place, press cover-side B firmly against tape.

2.2.1 Align cover accordingly.

2.2.2 Angle cover and press against side of channel (side A) opposite of double-sided tape.

2.3 PT21/PT21M adjustments

Fig. 4



2.3.1 Ensure pivot is plumb and level.

2.3.2 Raise walking beam pivot pin up completely by rotating pin adjustment screw.

2.3.3 Lower pin once door is properly in place.

