



## TS 83 AC

### Anti-Corrosive Door Closer

**With adjustable closing force, backcheck and additional anti-corrosion protection**

Easy to fix and even easier to adjust. The door closer for almost every door size and application.

Decades of experience have gone into the development of the dormakaba TS 83. The result is user comfort coupled with outstanding versatility. It can be adjusted to suit almost all types of door with the added benefit of anti-corrosion protection for exposed applications or aggressive conditions.

**Advantages at a glance:**

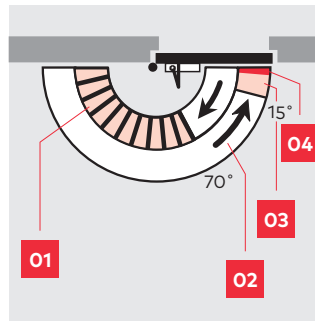
- Stainless Steel adjustment arm and bush.
- Stainless steel frame shoe with bronze sintered bushing and stainless steel connector pin.
- Arm is applied with three coats of paint for additional protection.
- Stainless steel metal thread fixing screws.
- Drain hole to displace moisture around the door closer spindle.
- Aluminium alloy door closer body and slide in face plate.
- EN 3-6 spring strength perfect for external doors.

# Specifications

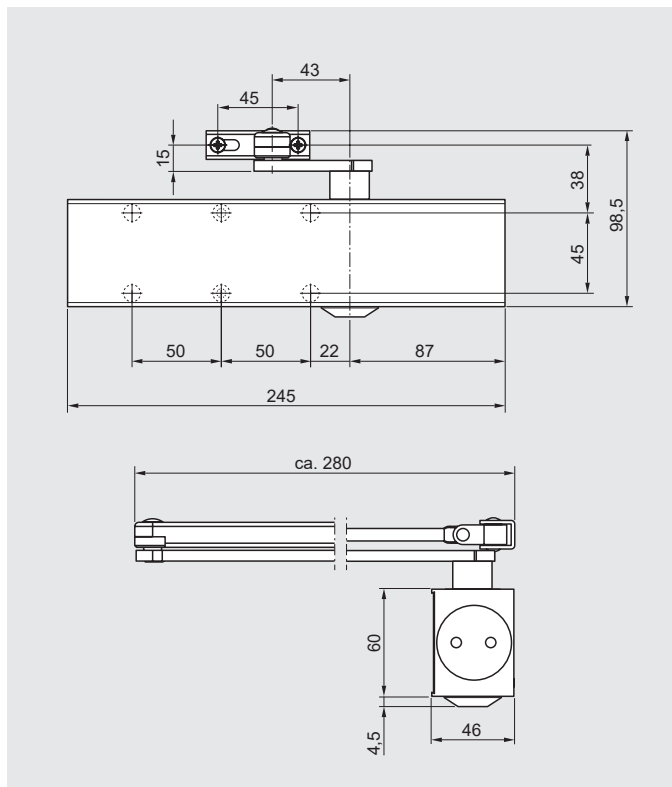
## With "thinking" backcheck – Model BC/ÖD

Thanks to an innovative design concept, the resistance developed by this backcheck system as the door is opened beyond approx. 70° is directly proportional to door acceleration.

It is almost imperceptible when the door is opened slowly. However, if the door is opened hastily, the backcheck responds in equal measure. And if the door should be flung open at speed – whether deliberately, thoughtlessly, accidentally or as a result of a gust of wind – the backcheck reacts at full strength, protecting the wall and door from damage.



- O1** Self-regulating backcheck.
- O2** Infinitely variable closing speed in the range 180° – 15°
- O3** Infinitely variable closing speed in the range 15° – 0°.
- O4** Adjustable latch range (by arm).



Data and features		TS83
Closing force	Spring strength	EN 3 – 6
Standard doors <sup>1)</sup>	≤ 1400 mm ≤ 1600 mm	● –
External doors, outward opening <sup>1)</sup>	≤ 1400 mm ≤ 1600 mm	● –
Fire and smoke check doors <sup>1)</sup>	≤ 1400 mm ≤ 1600 mm	● –
Non-handed		●
Arm assembly	Standard Flat-form Slide channel	● – –
Closing force variable by means of adjustment screw		●
Closing speed adjustable at 2 separate valves	180° - 15° 15° - 0°	● ●
Adjustable latching action by arm		●
Backcheck	Self-regulating Adjustable at valve	● ●
Parallel arm bracket <sup>2)</sup>		○
Delayed action variable at valve		–
Hold-open <sup>2)</sup>		○
Weight in kg		1.7
Dimensions in mm	Length Overall depth Height	245 46 60
Door closer tested to EN 1154		●
CE-mark for construction products		●
Approved to AS1905 Part1 Fire Resistant Doors		●

● yes – no ○ option

- 1). For applications involving particularly heavy or wide doors, and doors which have to close against wind resistance, the next highest closer size or a higher spring strength should be applied.
- 2). Parallel arm bracket and Hold-open optional accessories - finish is not anti-corrosive.
- 3). Refer to TS 83 technical brochure for additional information.