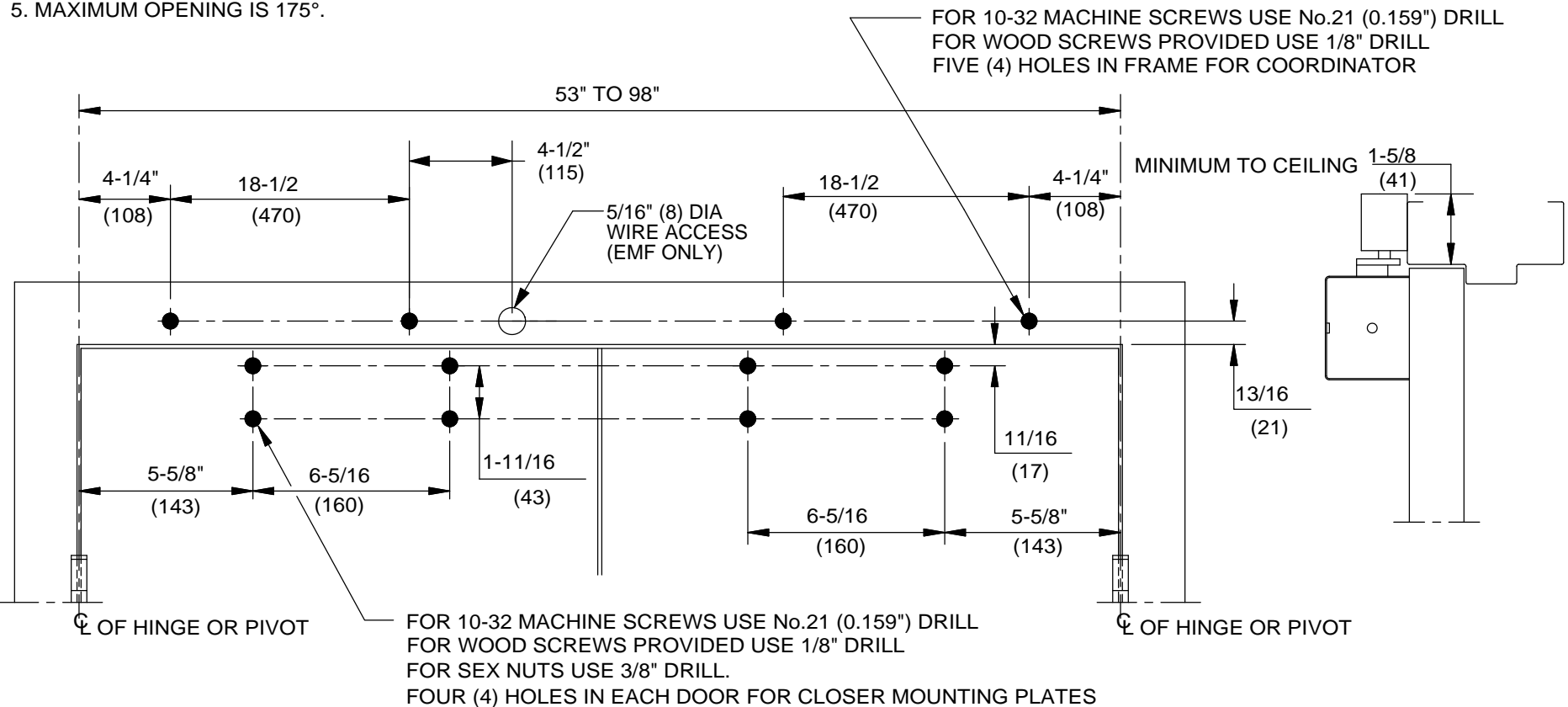


NOTES:

1. DO NOT SCALE DRAWING.
2. DIMENSIONS ARE IN INCHES/(MM).
3. CAUTION: SEX NUTS ARE REQUIRED FOR ATTACHMENT OF COMPONENTS TO UNREINFORCED DOORS AND TO WOOD OR PLASTIC FACED COMPOSITE TYPE FIRE DOORS, UNLESS AN ALTERNATIVE METHOD IS IDENTIFIED IN THE INDIVIDUAL DOOR MANUFACTURER'S LISTINGS.
4. TEMPLATE FOR 4-1/2" X 4-1/2" BUTT HINGES AND 3/4" OFFSET PIVOTS.
5. MAXIMUM OPENING IS 175°.



DOOR CLOSER MODEL: TS93 GSR, GSR/EMF 1A, 1I, 2  
TRACK INSTALLATION (PULL SIDE MOUNT)  
WITH DOOR COORDINATOR



DORMA Architectural Hardware  
Reamstown, PA 17567