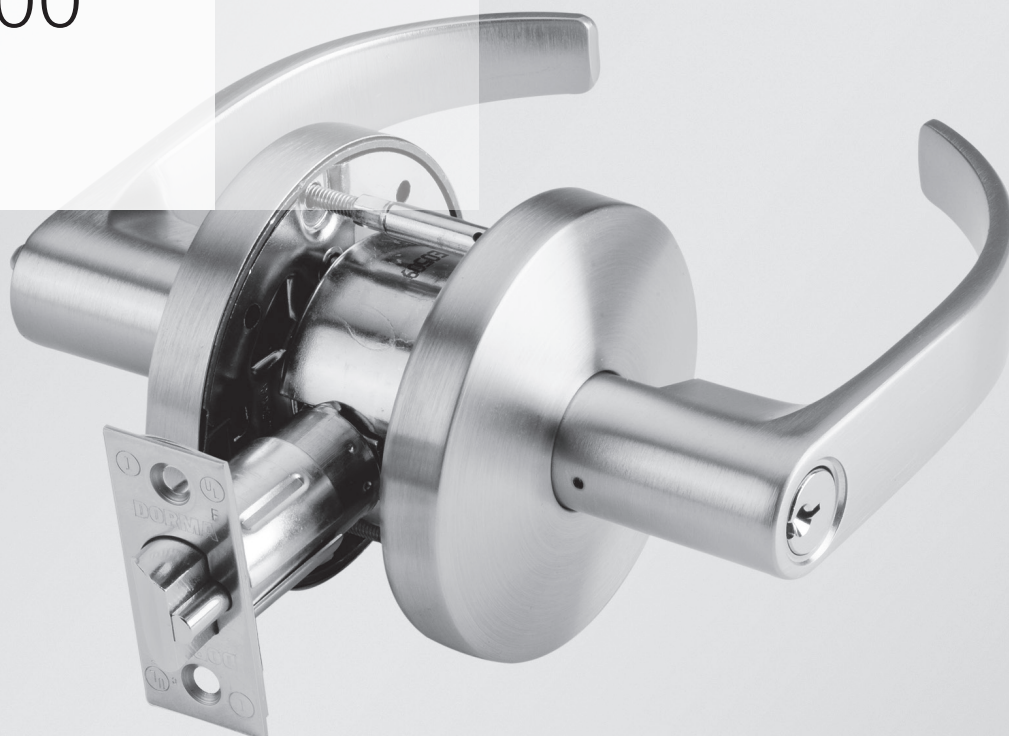
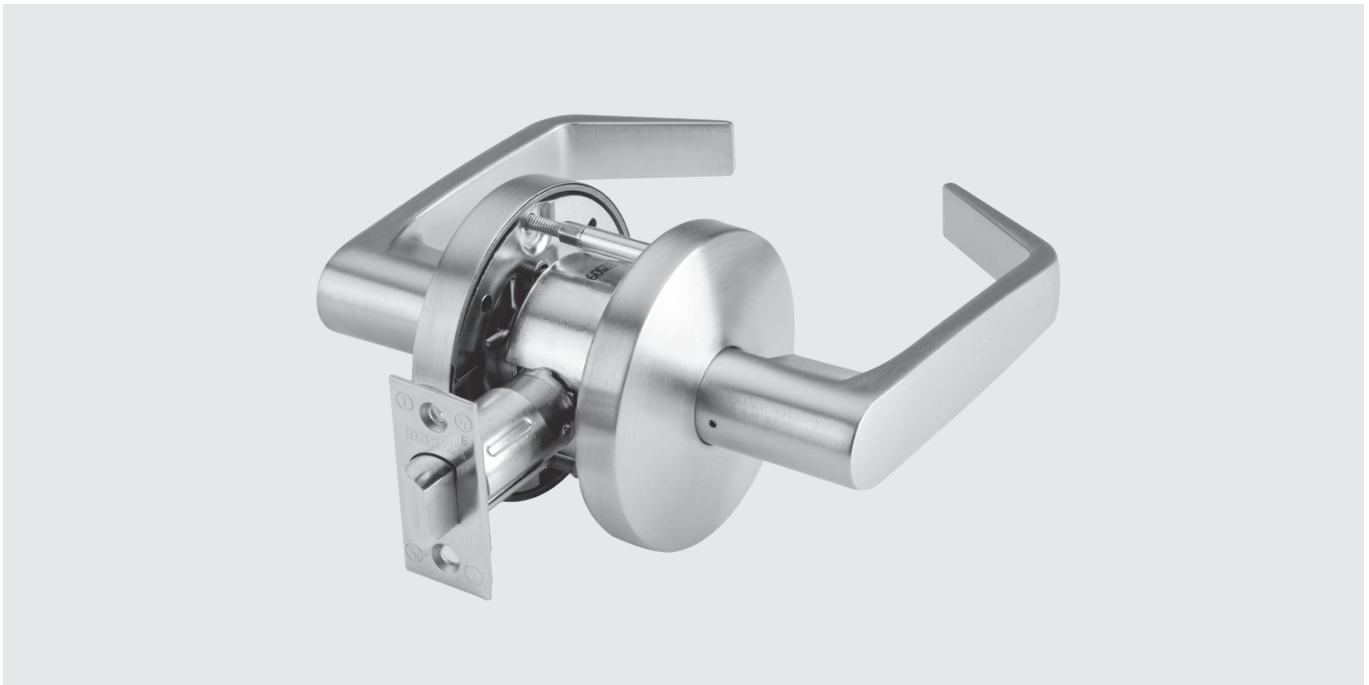


C500

—



Grade 2 Cylindrical Locksets



CONTENTS

C500 Grade 2 Cylindrical Locksets	Features	3	
	Technical Details & Specifications	4	
Ordering Guide	Locks	4	
	Keyways	5	
Trim Options	C500 LR Lever	5	
	C500 LC Lever	5	
Functions	Dummy Trim One Side	6	
	Passage/Closet	6	
	Exit/Communicating Passage	6	
	Patio	6	
	Privacy, Bedroom or Bath	6	
	Entry	6	
	Apartment	6	
	Classroom	7	
	Storeroom	7	
	Lock Options	Strikes	7
		1/2" Throw Latch Bolt	7

DORMA USA quality and environmental management systems in Reamstown, PA and Steeleville, IL are certified to ISO 9001:2008 and ISO 14001:2004.



Intertek



Intertek



LR Lever



LC Lever



LG Lever

C500—GRADE 2 CYLINDRICAL LOCKSETS

Providing security, aesthetics, and dependability at an affordable price.

These key-in-lever locksets are built with a high performance cylindrical chassis for all applications where ANSI/BHMA A156.2 Series 4000 Grade 2 products are required. To meet the aesthetic needs of your project, these versatile locks are available with three lever designs and six standard finishes.

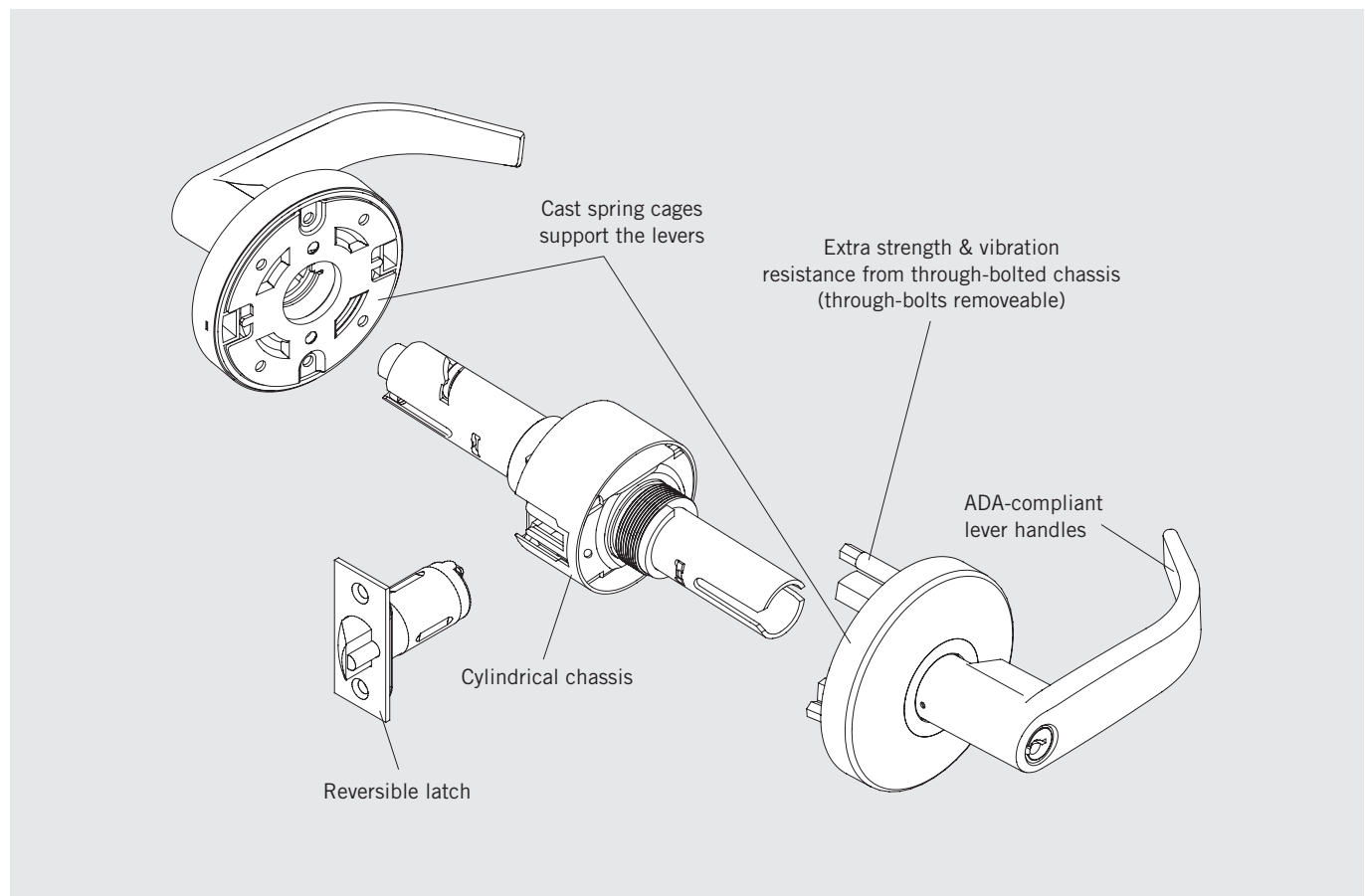
Complementing the aesthetic appeal of the C500 are the nine different functions to help solve your challenging applications.

Features

- All DORMA C500 Series locks feature advanced design concepts, providing exceptional reliability, and are manufactured with the finest materials, delivering enhanced durability.
- DORMA C500 Series locks are easy to install in both wood or hollow metal doors with ANSI/BHMA A156.115 preparations for cylindrical locks.
- All C500 Series lever handle locks include special auxiliary support springs to ensure smooth operation and long life.
- C500 Series locksets have an optional through-bolted chassis for additional strength and increased resistance to vibration (through-bolting recommended).
- All C500 Series locks are easily adjustable for doors from 1-3/8"-1-3/4" thick. Consult the factory for product suggestions for thick door applications.

Recommended Applications

- Hotels
- Apartments
- Churches
- Municipal Buildings
- Retail Complexes
- Offices
- Warehouses



Technical Details

- Non-handed for simple installation.
- Key-in-lever lock is through-bolted for additional strength and security.
- Thru bolts removable for retrofit applications.
- Lock chassis constructed of steel, stainless steel and precision castings for superior strength and corrosion resistance.
- Stainless steel latch bolt.
- Auxiliary deadlocking latch bolt for preventing manipulation when door is closed (all keyed functions).

and three hour fire rated for A label and lesser class single doors, 4'0" x 8'0" maximum.

- The DORMA C500 is certified to the requirements of ANSI/BHMA A156.2 Series 4000 Grade 2.
- The C500 meets A117.1 and ADA requirements for barrier-free accessibility.



Cylinders and Keying

- Unless otherwise specified, cylinders will be provided in DORMA standard keyway with two (2) nickel silver keys.
- Optional patented key system available.

Refer to **DORMA Price List** for full details and options such as

master keying, retrofit cylinders and keyways, and small format and full size interchangeable cores.

Finishes

- Brass: 605 (Bright, Clear Coated) or 606 (Satin)
- Bronze: 613 (Dark Oxidized Satin)
- Nickel: 619 (Satin)
- Chrome: 625 (Bright) or 626 (Satin)

Special Finish Notes

ANSI/BHMA A156.18 standards describe 613 Dark Oxidized Satin Bronze finish as a category B finish. B category finishes, "do not match from one alloy or form of material to the next and from one manufacturer to the next."

The 613 finish may vary between manufacturers' products and models. In some instances, for customer convenience, the most appropriate BHMA finish symbols are used to indicate similarity of appearance, regardless of base metal or finishing process. Finishes of latches, strikes, cylinders/cores, and visible mounting screws, though similar in appearance, may differ from the finish of the trim. Finish designations in the 600 numbers are the BHMA (Builders Hardware Manufacturers Association) industry standard.

Warranty

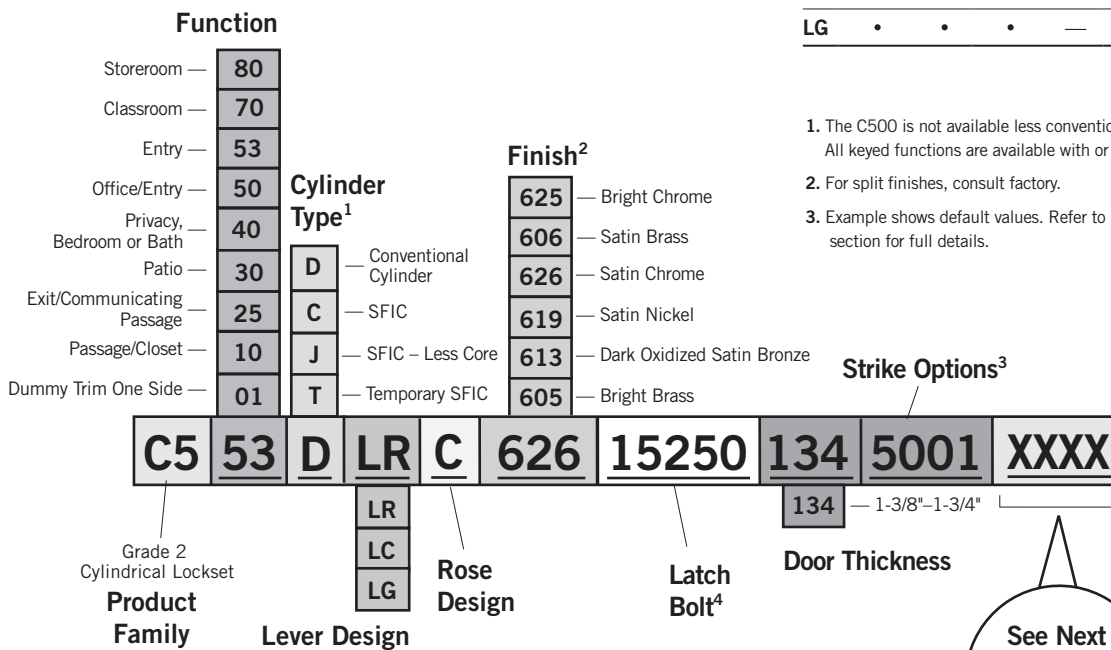
For details, refer to **DORMA Limited Warranty** on our website at go.dorma.com/terms.

Certifications

- The DORMA C500 Series products are U.L. and C.U.L listed



HOW TO ORDER C500 SERIES LOCKS

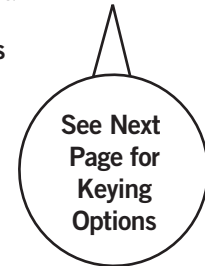


Finish Availability Chart

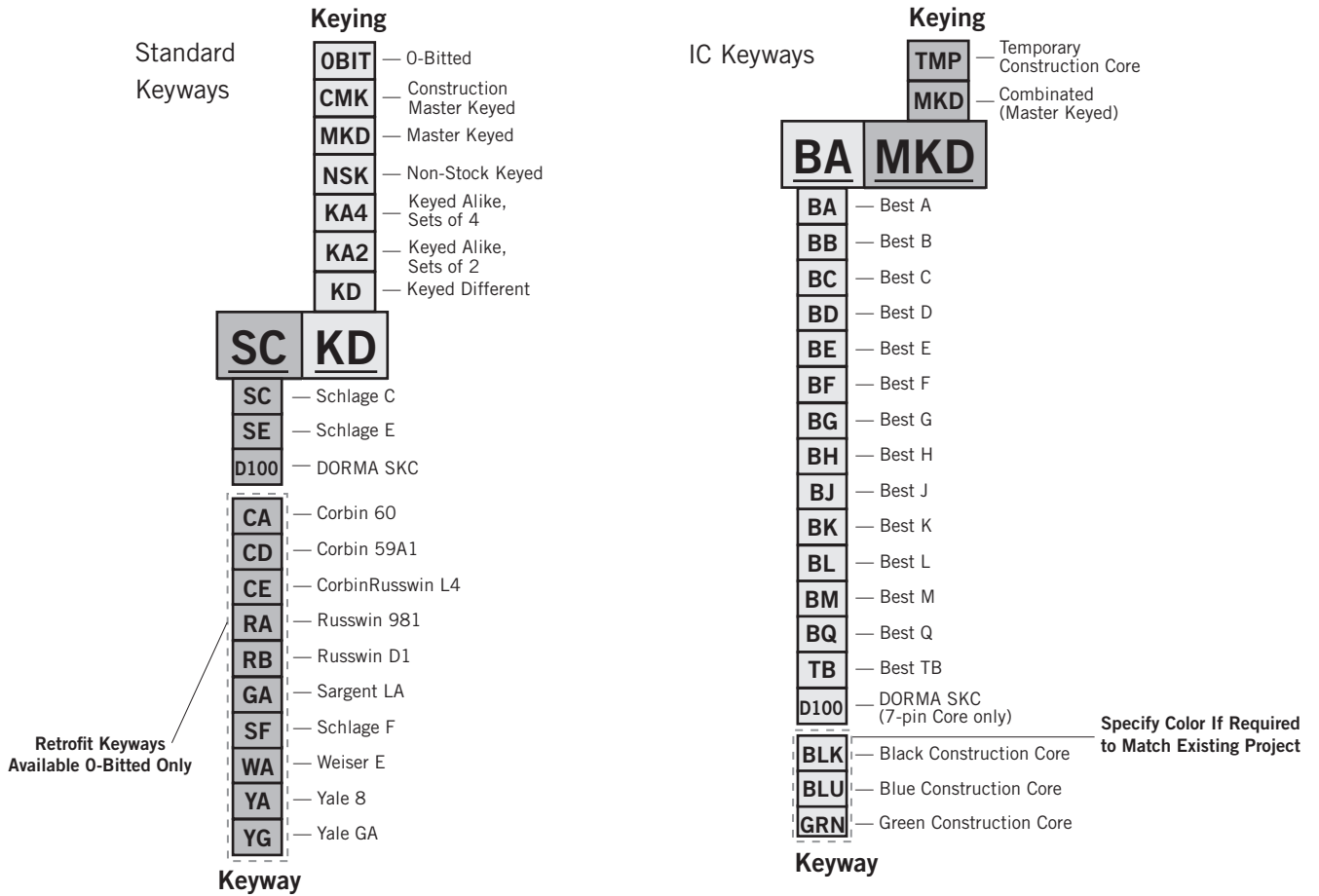
	613	619	626	605	606	625
LR	•	•	•	•	•	•
LC	•	•	•	•	•	•
LG	•	•	•	—	—	—

1. The C500 is not available less conventional cylinder. All keyed functions are available with or without SFIC cores.
2. For split finishes, consult factory.
3. Example shows default values. Refer to Lock Options section for full details.

NOTE: SFIC available on LR and LC lever designs only, not available on LG lever.



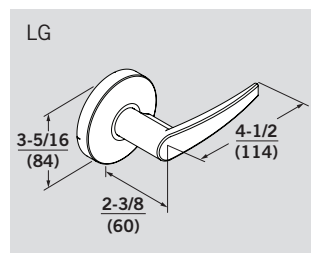
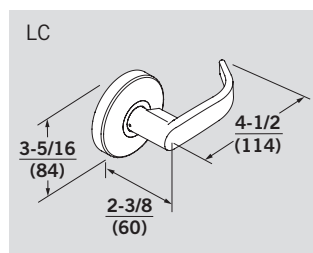
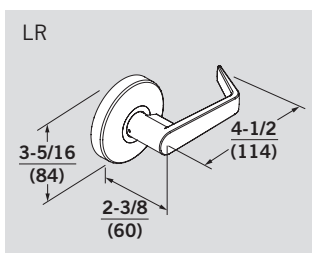
HOW TO ORDER KEYWAYS



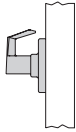
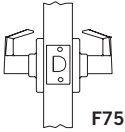
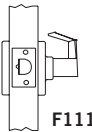
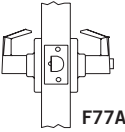
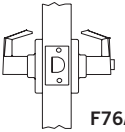
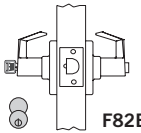
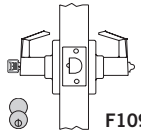
TRIM OPTIONS

Lever Designs

ADA compliant levers feature solid cast handles. Levers with returns return to within 1/2" (12 mm) of the door face.



FUNCTIONS

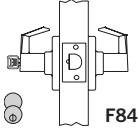
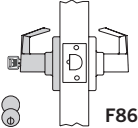
Function	Series	Outside	Description
Dummy Trim One Side	C501		<ul style="list-style-type: none"> Used as pull or matching trim on pairs of doors. Trim is through-bolted from opposite side.
Passage/Closet	C510		<ul style="list-style-type: none"> Latch bolt operated by trim either side at all times.
Exit/Communicating Passage	C525		<ul style="list-style-type: none"> Deadlocking latch bolt operated by inside trim. Blank plate outside. Minimum clearance 3/4" on single doors and 1-1/2" between double doors.
Patio	C530		<ul style="list-style-type: none"> Deadlocking latch bolt operated by trim either side. Outside trim locked by push button or locking device inside. Outside trim unlocked by trim inside. Outside trim unlocked by closing door. Inside trim always unlocked. Do not use in rooms that have no other entrance.
Privacy, Bedroom or Bath	C540		<ul style="list-style-type: none"> Latch bolt operated by trim either side. Outside trim locked by push button or locking device inside. Outside trim unlocked by emergency release outside. Outside trim unlocked by trim inside. Outside trim unlocked by closing door. Inside trim always unlocked.
Office/Entry	C550		<ul style="list-style-type: none"> Deadlocking latch bolt operated by trim either side, except when outside trim locked by push button inside. Key outside releases push button, unlocking outside trim. Outside trim unlocked by trim inside. Operating inside trim releases push button, unlocking outside trim. Inside trim always operates latch bolt.
Entry	C553		<ul style="list-style-type: none"> Deadlocking latch bolt operated by trim either side, except when outside trim locked by push button inside. Key outside releases push button, unlocking outside trim, except when inside button pushed and turned to keep outside trim locked. Operating inside trim releases push button, unlocking outside trim, except when inside button pushed and turned to keep outside trim locked. Inside button must be turned to unlock outside trim. Inside trim always operates latch bolt.



Indicates rigid lever.



Indicates SFIC Core available.

Function	Series	Outside	Description
Classroom	C570	 F84	<ul style="list-style-type: none"> ▪ Deadlocking latch bolt operated by trim either side, except when outside trim locked by key outside. ▪ Outside trim locked or unlocked by key outside. ▪ When outside trim locked, latch bolt operated by trim inside.
Storeroom	C580	 F86	<ul style="list-style-type: none"> ▪ Deadlocking latch bolt retracted by key outside. ▪ Deadlocking latch bolt operated by trim inside ▪ Outside trim always inoperable.



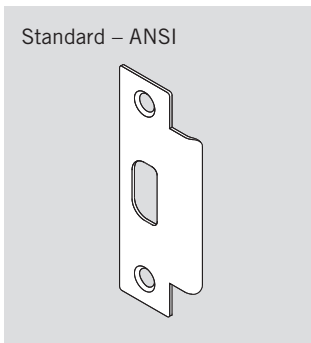
Indicates rigid lever.



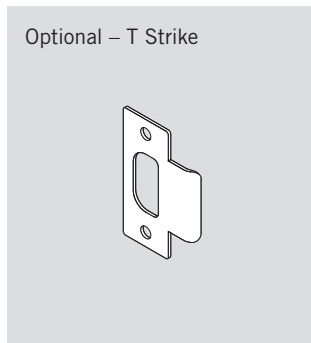
Indicates SFIC Core available.

LOCK OPTIONS

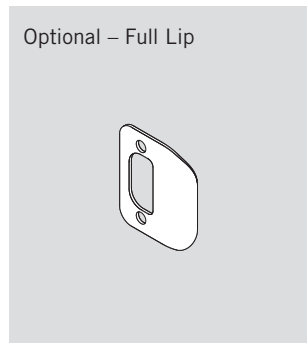
Strikes



5001 — ANSI 1-1/4" x 4-7/8" square corner strike. Default strike for all C500 Series locks.



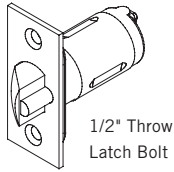
5101 — 1-1/8" x 2-3/4" square corner T-strike. 1-1/8" lip length. Dust box included.



5201 — 1-5/8" x 2-1/4" square corner full curved lip strike. 1-1/8" lip length.
5202 — 1-5/8" x 2-1/4" full curved lip strike with 1/4" radiused corners. 1-1/8" lip length.



1/2" Throw Latch Bolt



Part Number

	2-3/4" Backset 1" Faceplate Square Corner	2-3/4" Backset 1" Faceplate 1/4" Radius	2-3/4" Backset 1-1/8" Faceplate Square Corner	2-3/8" Backset 1" Faceplate Square Corner	2-3/8" Backset 1" Faceplate 1/4" Radius
--	--	--	--	--	--

DORMA FUNCTION (ANSI)

C510 (F75)—Passage/Closet	15230	15231	15232	15130	15131
C525 (F111)—Exit/Communicating Passage	15250	15251	15252	15150	15151
C530 (F77A)—Patio	15280	15281	15282	15180	15181
C540 (F76A)—Privacy, Bedroom or Bath	15230	15231	15232	15130	15131
C550 (F109)—Office/Entry	15250	15251	15252	15150	15151
C553 (F109)—Entry	15250	15251	15252	15150	15151
C570 (F84)—Classroom	15250	15251	15252	15150	15151
C580 (F86)—Storeroom	15250	15251	15252	15150	15151
C501—Dummy Trim One Side	—	—	—	—	—

NOTE: Default options shown in bold.

www.dorma.com



DORMA USA, Inc.
 Dorma Drive, Drawer AC
 Reamstown, PA 17567
 Tel: 800 523 8483
 Fax: 800 274 9724
 archdw@dorma-usa.com

DORMA Canada
 1680 Courtney Park Drive, Unit 13
 Mississauga, Ontario L5T 1R4
 Tel: 800 387 4938
 Fax: 905 670 5850
 sales@dormacanada.com

DORMA Mexico
 Calle Sur 110 no. 63, Col. Tolteca
 01150 México, D.F.
 Tel: 5255 5272 6937
 Fax: 5255 5272 6948
 operacion@dorma.com.mx