



GP1100

Glass panic device - down latching dummy wood door mount
(use exterior pull types: A, B, C, F, G, H, K, KS, L, LS, X, Z)

Installation instructions

974012 - 10-2020

| EN |

dormakaba 

Table of contents

1	Technical specifications	3
1.1	Overview	3
	1.1.1 General information	3
	1.1.2 Intended use	3
	1.1.3 Door requirements/fittings/mounting	3
	1.1.4 Safety instructions	3
	1.1.5 Symbols used - Safety/Installation	3
	1.1.6 Maintenance, care, repair	3
	1.1.7 Disposal	3
	1.1.8 Adhesive specifications	4
	1.1.9 Required dimension	4
2	Installation instructions - wood door mount	4
2.1	Overall	4
2.2	Mount exterior pull components - disassemble actuator parts	5
2.3	Mount exterior pull components - top standoff	6
2.4	Mount exterior pull components - bottom standoff	7
2.5	Mount exterior pull components - return tube (D-pull; back-to-back)	8
2.6	Mount interior pull components - dummy actuator/ int. pull	9
2.7	Mount interior pull components - bottom standoff	10
2.8	Mount interior pull components - return tube (single-sided)	11
2.9	Mount interior pull components - return tube (back-to-back)	12
3	Adjustments	13
3.1	Clearances	13
3.2	Final adjustments (tube height or length)	14
3.3	Loctite part list	14

1 Technical specifications

1.1 Overview

These instructions are for installation of GP1100 for the following mounting and style versions:

1. Down latching dummy wood door mount

1.1.1 General information

- dormakaba glass hardware is not suitable for harsh environment; for example, applications where chemicals (e.g. chlorine) are used such as indoor swimming pools, saunas, or salt-water pools.
- Do not swing doors with excessive force. Ensure proper installation of limiting stop to prevent door from opening too far.

1.1.2 Intended use

- For swinging doors in dry indoor and covered areas only.
- For manual slow opening and closing only.

1.1.3 Door requirements/fittings/mounting

- The substructure/wall must be able to bear permanent loads, be level (max. tolerance: 1/16" [2] per 39" [1m]).
- Fasteners must be sufficiently dimensioned for the substructure/wall and weight of the door.
- When adjusting door components, always stick to the required clearance for the respective hardware.

1.1.4 Safety instructions

- Installation requires two people.
- Only properly qualified and specially trained staff are authorized to mount dormakaba glass hardware.

1.1.5 Symbols used - Safety/Installation



CAUTION

Mounting components must meet the requirements of substructure/wall and door weight. Please read the technical information for fittings.



TIPS AND RECOMMENDATIONS

Information note

1.1.6 Maintenance, care, repair

- Immediately replace damaged parts.
- Always use original dormakaba parts.
- Clean clamping area with alcohol-based standard commercial cleaning agent before mounting the glass hardware.
- Use a damp cloth for occasional cleaning.
- Always use silicone - and oil-free cleaners (e.g. acetone).
- Check door hardware at regular intervals for proper positioning, smooth operation and correct adjustment.
- High traffic door systems require inspection by properly qualified staff (specialized companies or installation firms.)
- Function of fittings is recommended to be inspected annually or every 100,000 movements by a specialist.

1.1.7 Disposal

Disposal in accordance with local, state and national regulations.

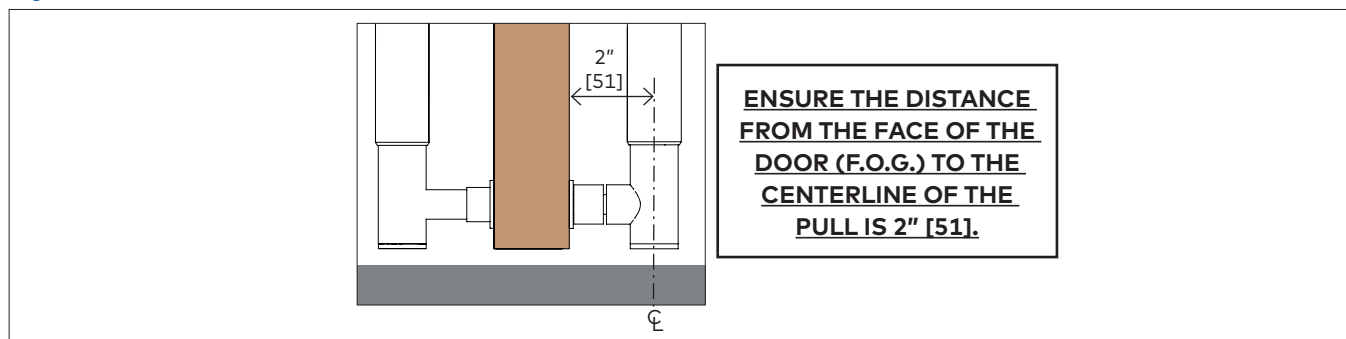
1.1.8 Adhesive specifications

Table 1

Adhesive required for GP1100 (not included)		
Loctite® Threadlocker Blue 242®	Handling description	Time
	Set time (<i>time between application and tightening of screw</i>)	10 minutes on active metals (steel) Longer for less active metals.
	Full cure time (<i>normal product usage not recommended until full cure time has been met</i>)	24 hours* *Cure time dependent upon temperature and type of metal being bonded.

1.1.9 Required dimension

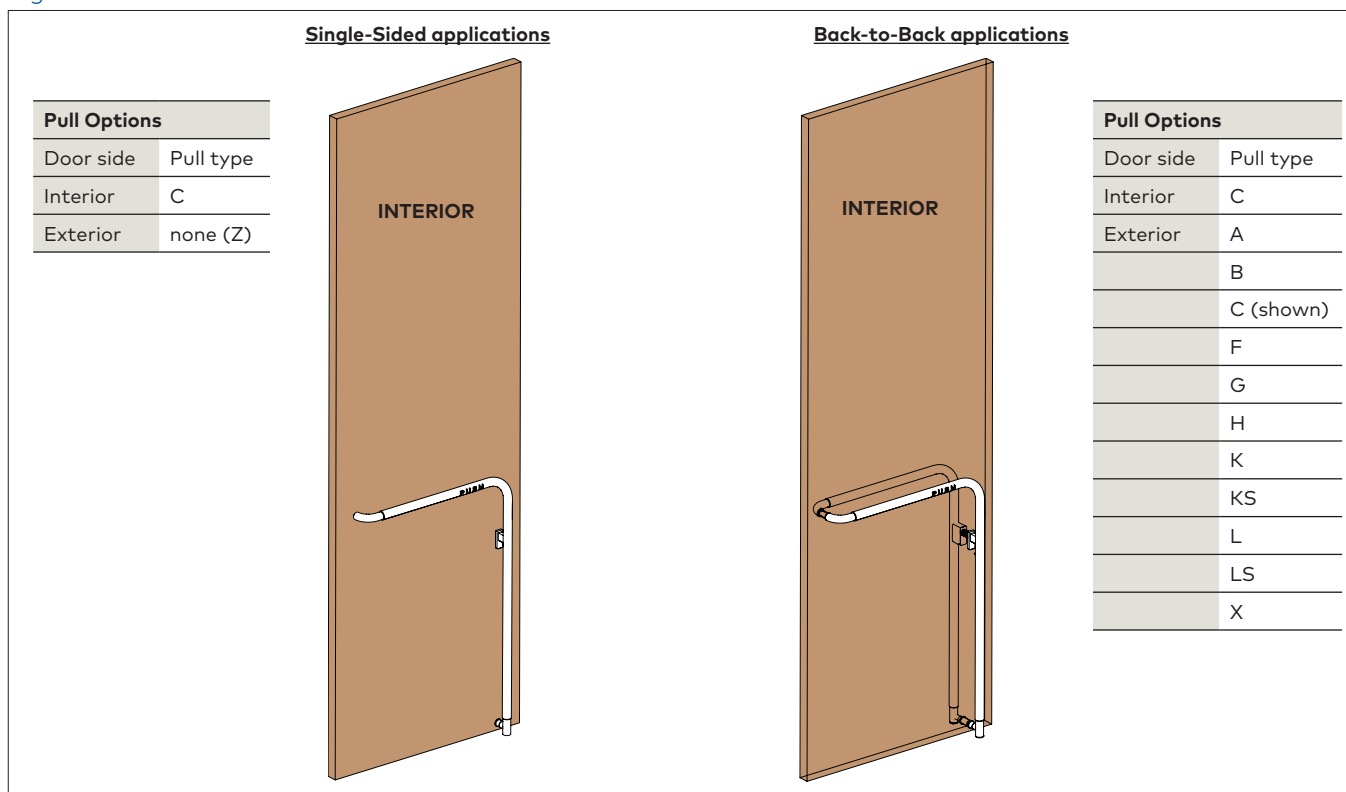
Fig 1



2 Installation instructions - wood door mount

2.1 Overall

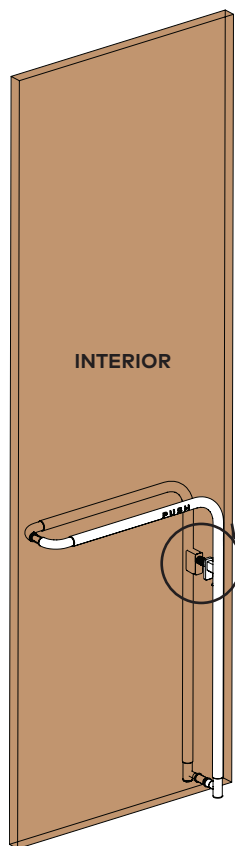
Fig 2



2.2 Mount exterior pull components - disassemble actuator parts

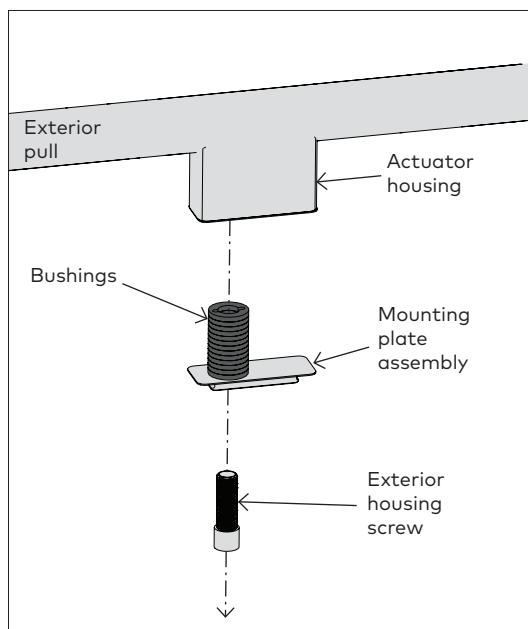
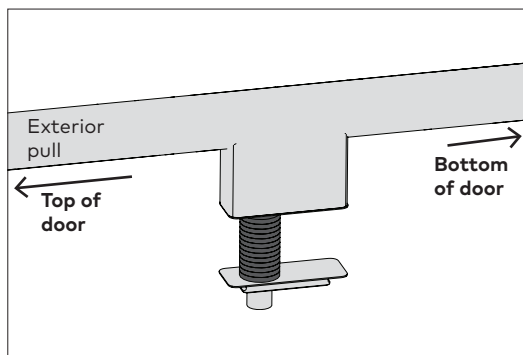
Fig 3

**NOTE: PANIC DEVICE SHOULD BE MOUNTED TO DOOR IN A HORIZONTAL POSITION.
 LAY DOOR PANEL FLAT ON SAW HORSES AND MOUNT THE FOLLOWING
 EXTERIOR PULL COMPONENTS FIRST. EXTERIOR SIDE SHOULD FACE UP.**



Pull Options	
Door side	Pull type
Interior	C
Exterior	C (shown)

Actuator assembly



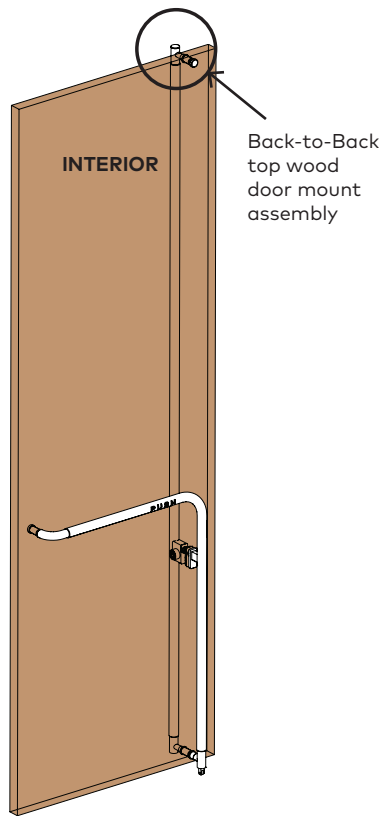
NOTE: Product shipped with exterior housing screw and mounting plate assembly secured together.

2.2.1 Disassemble exterior housing screw and mounting plate assembly from actuator housing.

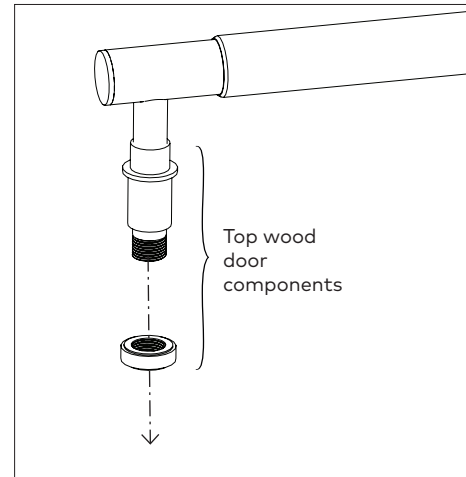
2.2.2 Keep all 13 bushings for reinstalling later.

2.3 Mount exterior pull components - top standoff

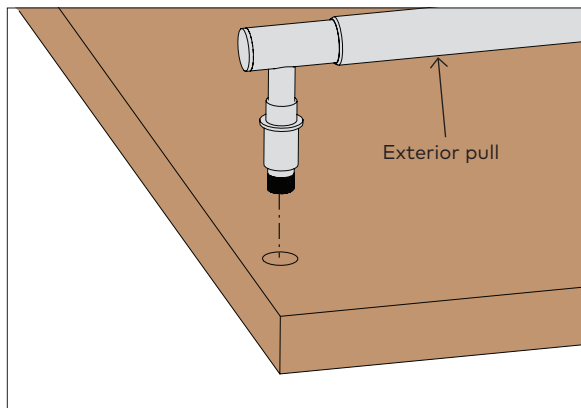
Fig 4



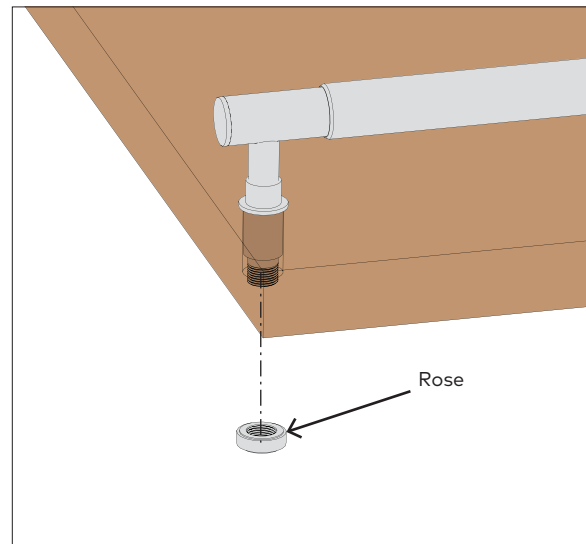
Pull Options	
Door side	Pull type
Interior	C
Exterior	F (shown)



2.3.1 Disassemble top wood door exterior pull components.



2.3.2 Place exterior pull through wood door.

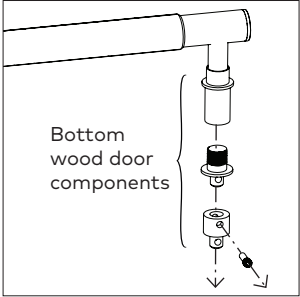


2.3.3 Thread rose onto coupler

2.4 Mount exterior pull components - bottom standoff

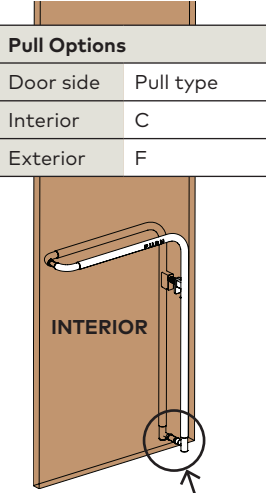
Fig 5

Back-to-back application



Bottom wood door components

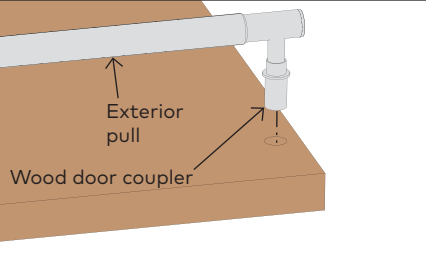
Pull Options	
Door side	Pull type
Interior	C
Exterior	F



INTERIOR

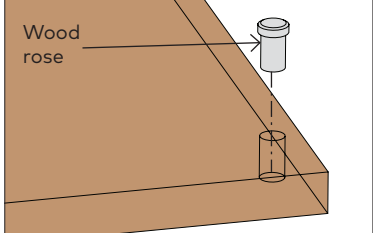
Back-to-Back bottom wood door mount assembly

2.4.1 Disassemble bottom wood door exterior pull components.



Exterior pull

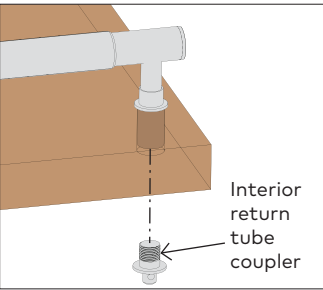
Wood door coupler



Wood rose

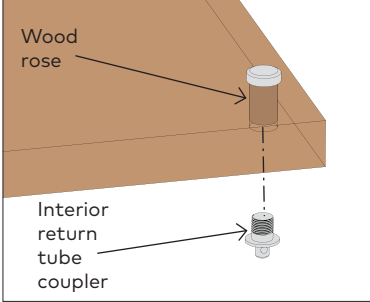
2.4.2 Place exterior pull through wood door.

2.4.3 Thread interior return tube coupler into wood door coupler.



Interior return tube coupler

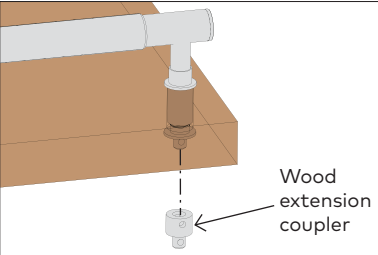
2.4.3 Thread interior return tube coupler into wood rose.



Wood rose

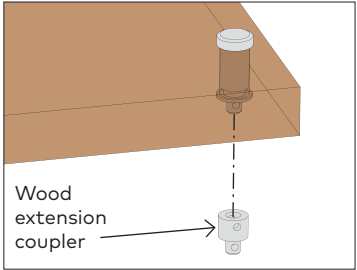
Interior return tube coupler

2.4.4 Slide wood extension coupler onto return tube coupler.



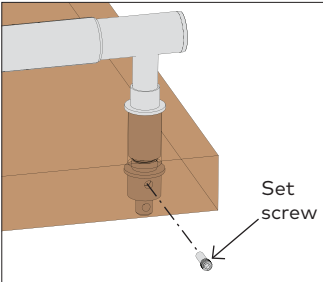
Wood extension coupler

2.4.4 Slide wood extension coupler onto return tube coupler.



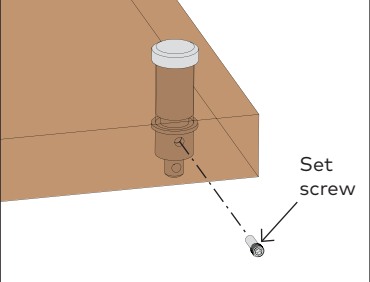
Wood extension coupler

2.4.5 Secure the two couplers together with the included set screw.



Set screw

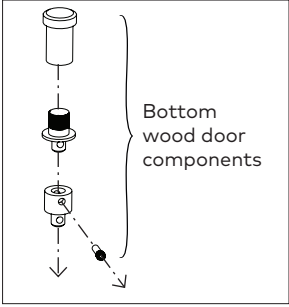
2.4.5 Secure the two couplers together with the included set screw.



Set screw

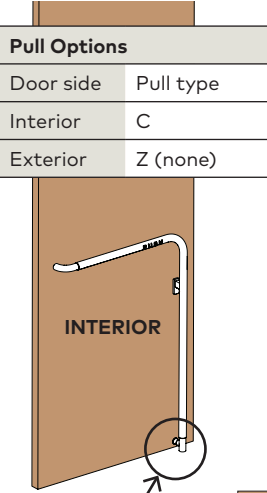
Single-sided application

Pull Options	
Door side	Pull type
Interior	C
Exterior	Z (none)



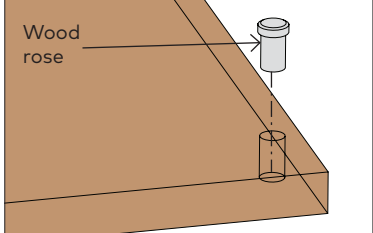
Bottom wood door components

2.4.1 Disassemble bottom wood door exterior pull components.



INTERIOR

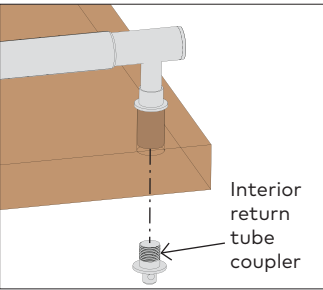
Single-sided bottom wood door mount assembly



Wood rose

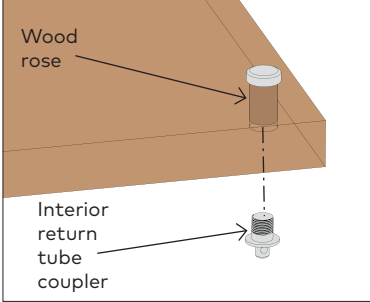
2.4.2 Place wood rose through door.

2.4.3 Thread interior return tube coupler into wood door coupler.



Interior return tube coupler

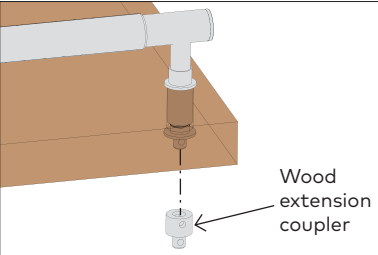
2.4.3 Thread interior return tube coupler into wood rose.



Wood rose

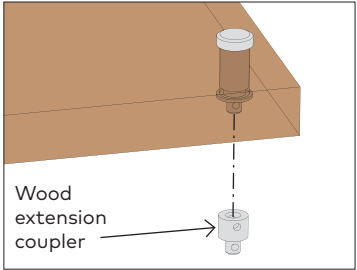
Interior return tube coupler

2.4.4 Slide wood extension coupler onto return tube coupler.



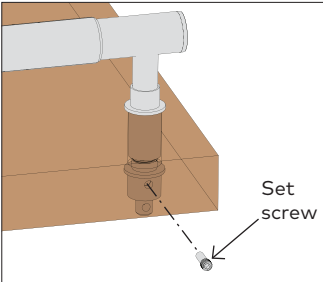
Wood extension coupler

2.4.4 Slide wood extension coupler onto return tube coupler.



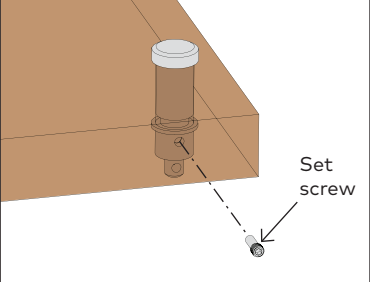
Wood extension coupler

2.4.5 Secure the two couplers together with the included set screw.



Set screw

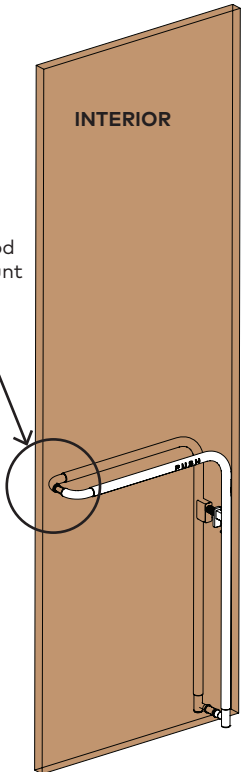
2.4.5 Secure the two couplers together with the included set screw.



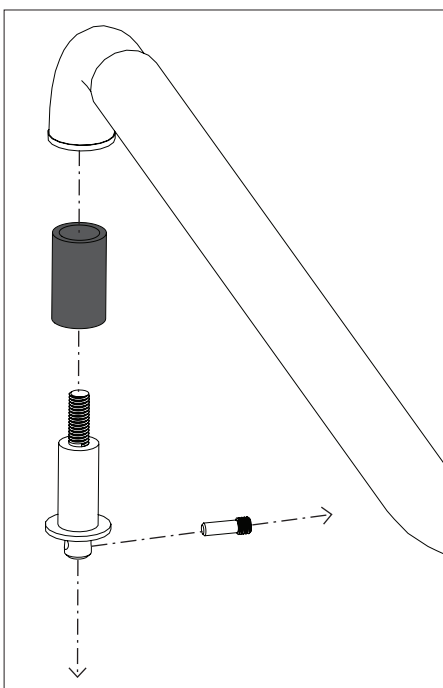
Set screw

2.5 Mount exterior pull components - return tube (back-to-back)

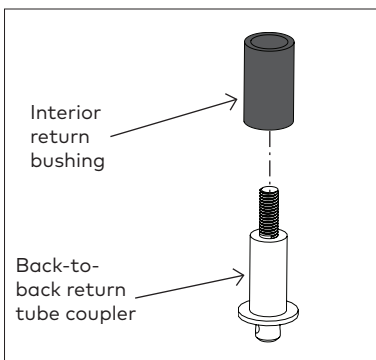
Fig 6

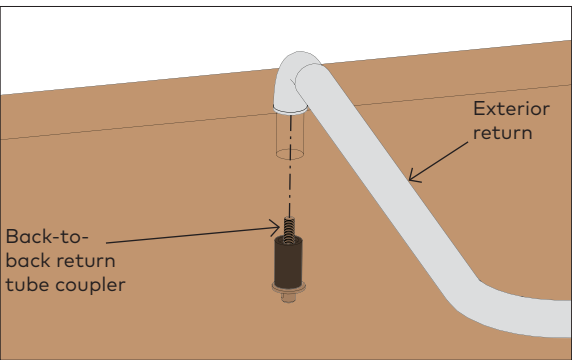


Pull Options	
Door side	Pull type
Interior	C
Exterior	C (shown)



2.5.1 Disassemble return tube coupler components.





2.5.2 Place bushing onto the back-to-back return tube coupler.

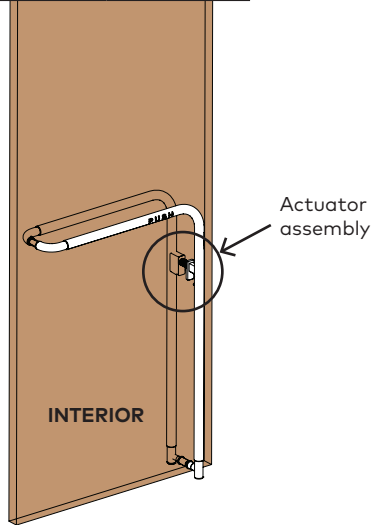
2.5.3 Place exterior return against wood door.
 2.5.4 Thread back-to-back return tube coupler into exterior return.

2.6 Mount interior pull components - dummy actuator/ int. pull

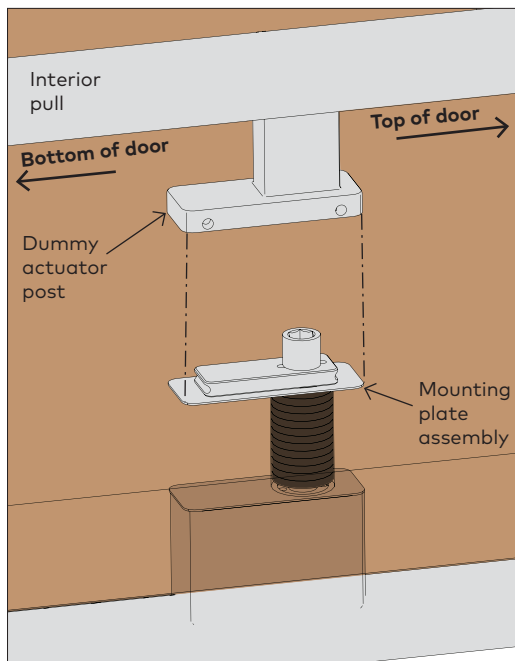
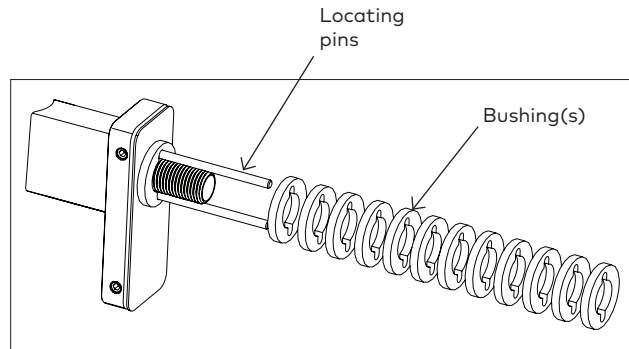
Fig 7

NOTE: FLIP DOOR OVER AND LAY FLAT ON SAW HORSES TO MOUNT THE INTERIOR SIDE COMPONENTS. INTERIOR SIDE SHOULD NOW FACE UP.

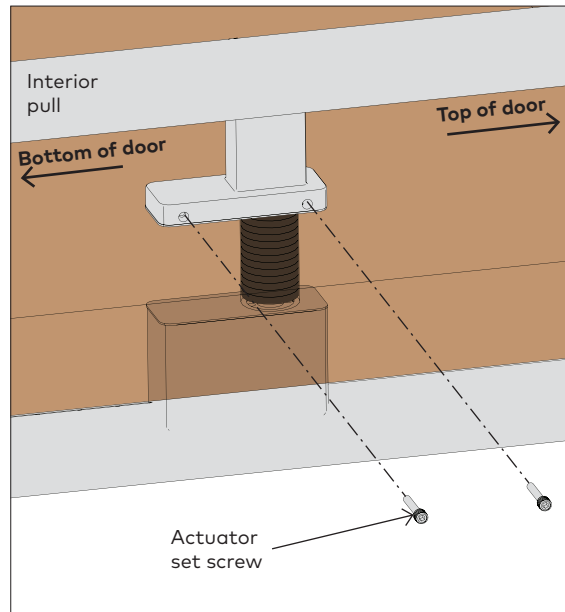
Pull Options	
Door side	Pull type
Interior	C
Exterior	C (shown)



2.6.1 Slide all 13 actuator bushings onto the mounting plate location pins.



2.6.2 Fit dummy actuator post over top of the mounting plate.

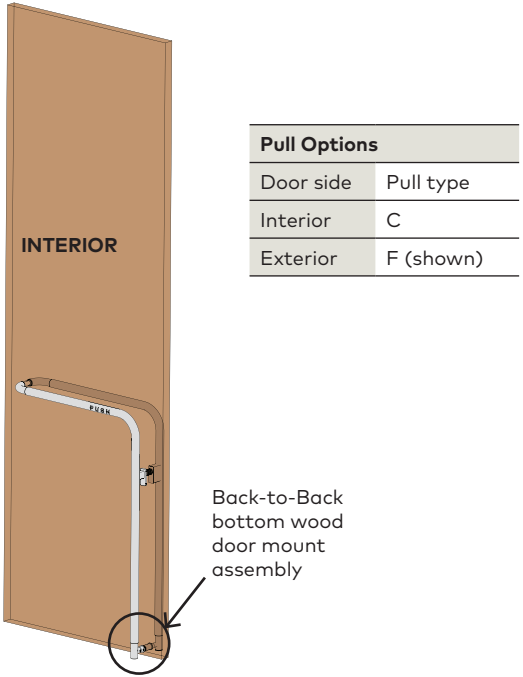


2.6.3 Secure the dummy actuator post to the mounting plate assembly with the two provided actuator set screws.

2.7 Mount interior pull components - bottom standoff

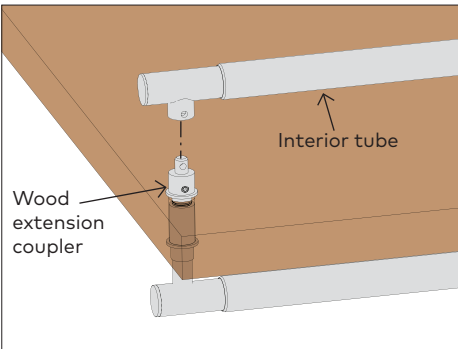
Fig 8

Back-to-back mount

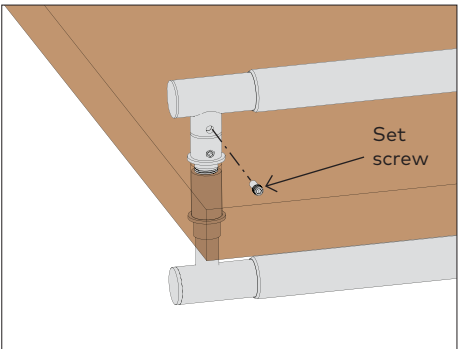


Pull Options	
Door side	Pull type
Interior	C
Exterior	F (shown)

Back-to-Back bottom wood door mount assembly

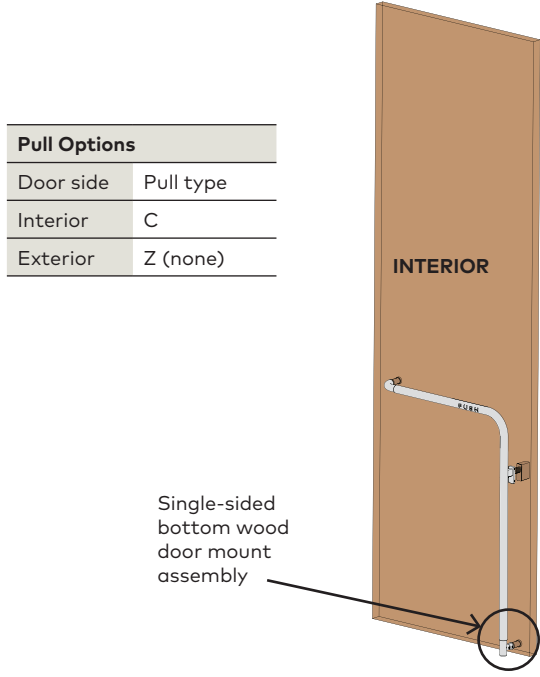


2.7.1 Slide interior tube onto wood extension coupler.



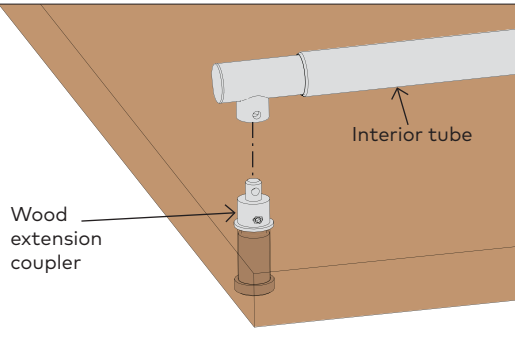
2.7.2 Secure to coupler with included set screw.

Single-sided mount

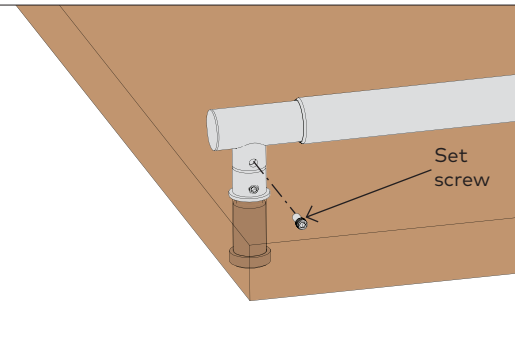


Pull Options	
Door side	Pull type
Interior	C
Exterior	Z (none)

Single-sided bottom wood door mount assembly



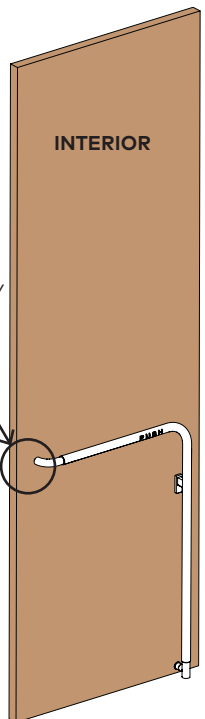
2.7.1 Slide interior tube onto interior glass mounting plate.



2.7.2 Secure to coupler with included set screw.

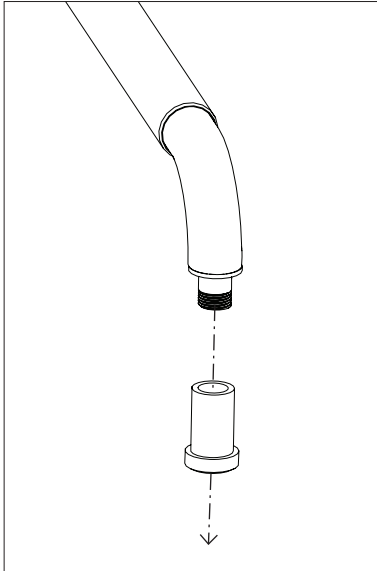
2.8 Mount interior pull components - return tube (single-sided)

Fig 9

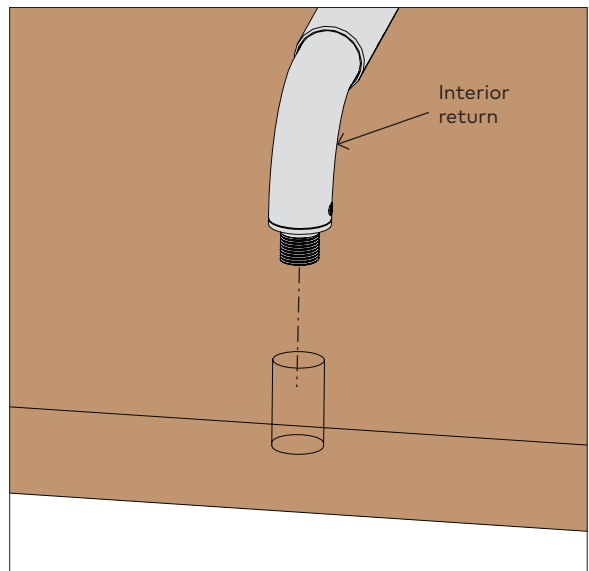


Interior rose assembly

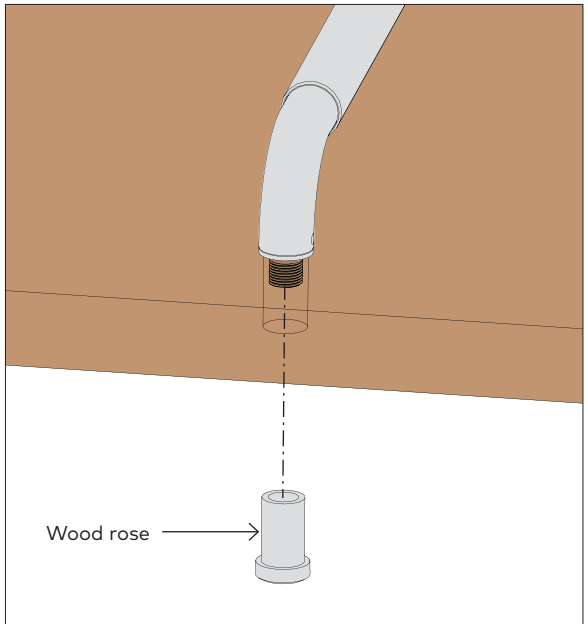
Pull Options	
Door side	Pull type
Interior	C
Exterior	none (Z) (shown)



2.8.1 Disassemble wood rose from coupler.



Interior return



Wood rose

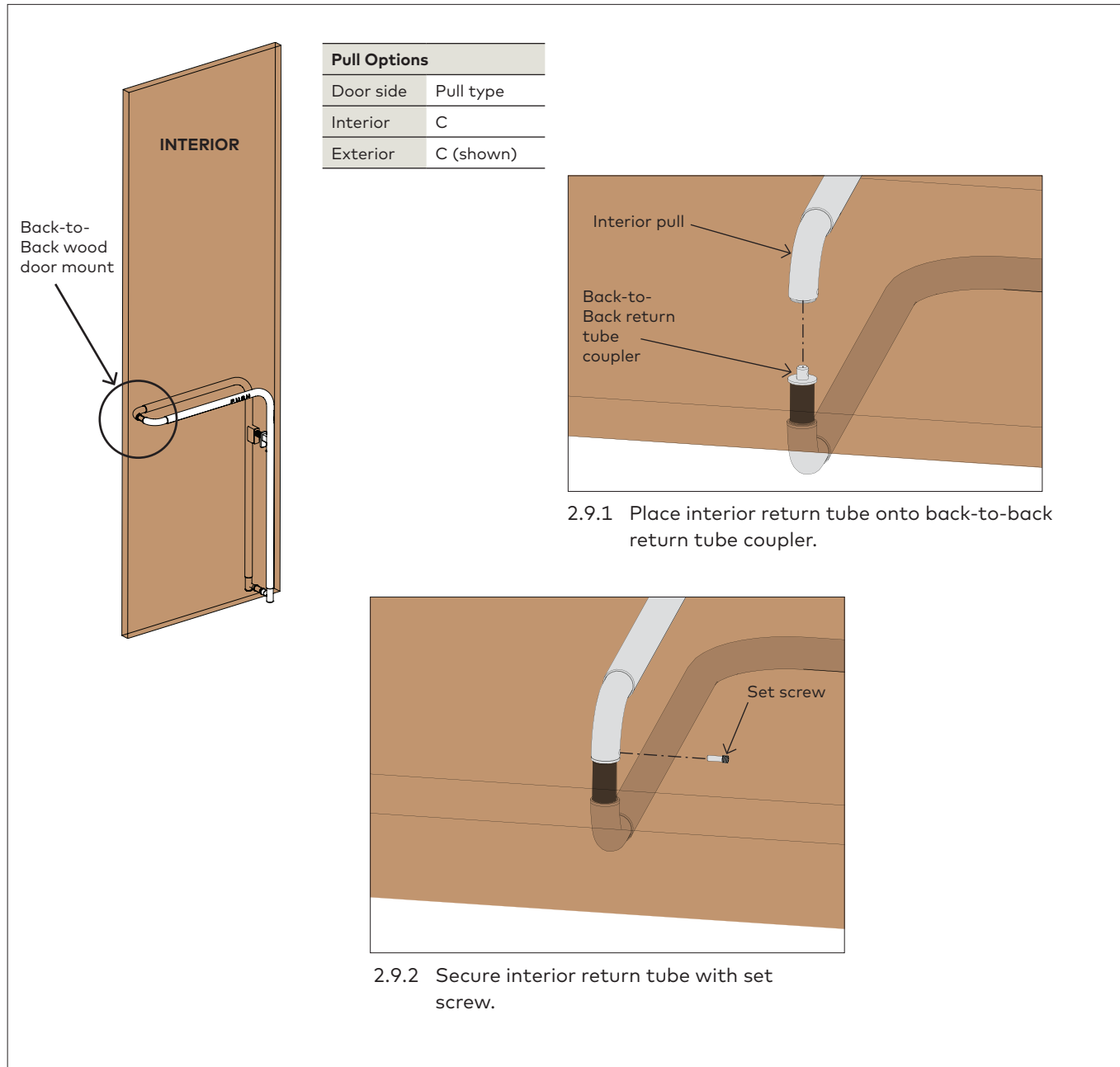
2.8.2 Insert interior return tube into hole in door.

2.8.3 Thread wood rose onto coupler.

NOTE: ADD LOCTITE® THREADLOCKER BLUE 242® DIRECTLY AFTER INSTALLATION OF THIS PART.

2.9 Mount interior pull components - return tube (back-to-back)

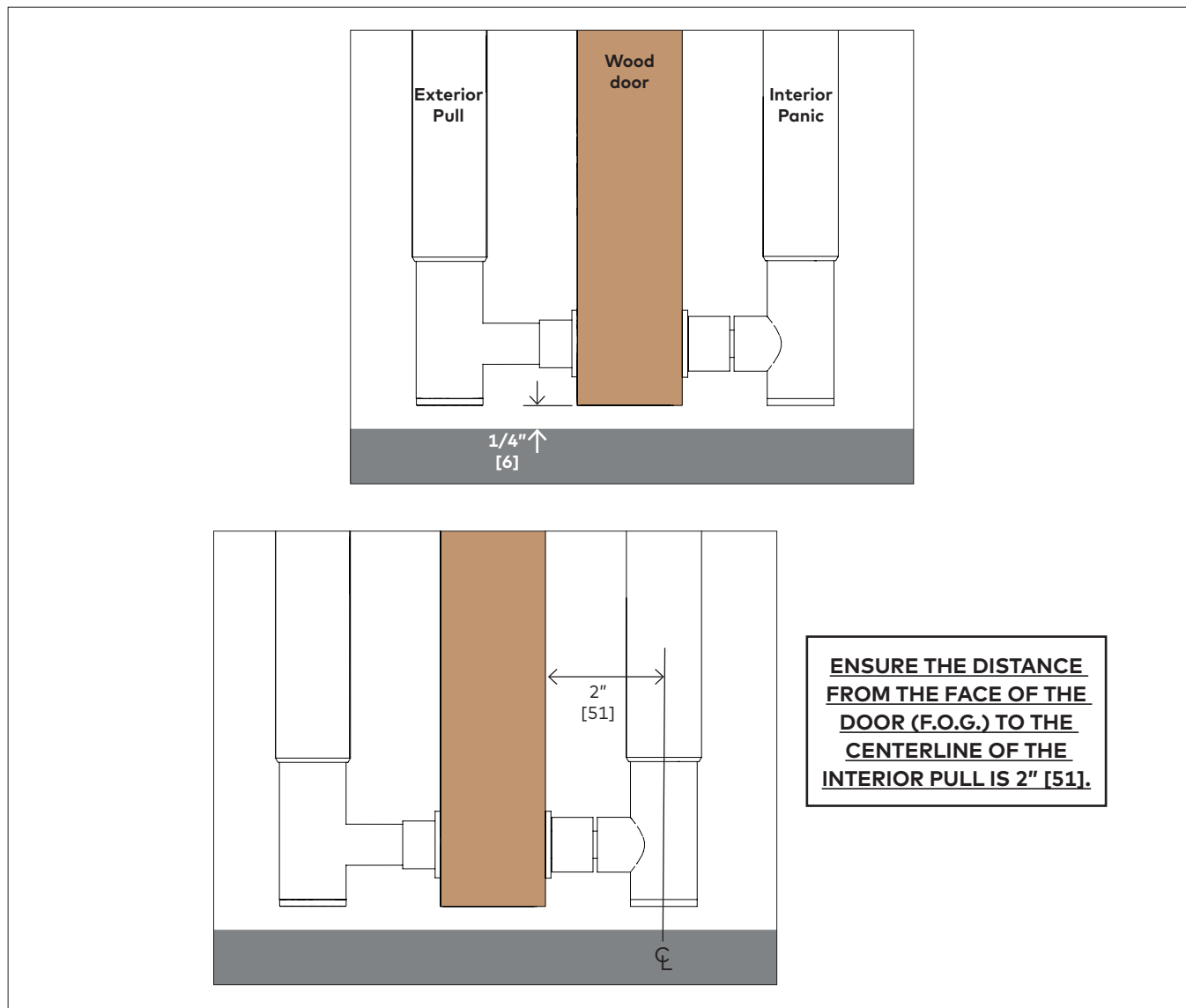
Fig 10



3 Adjustments

3.1 Clearances

Fig 11

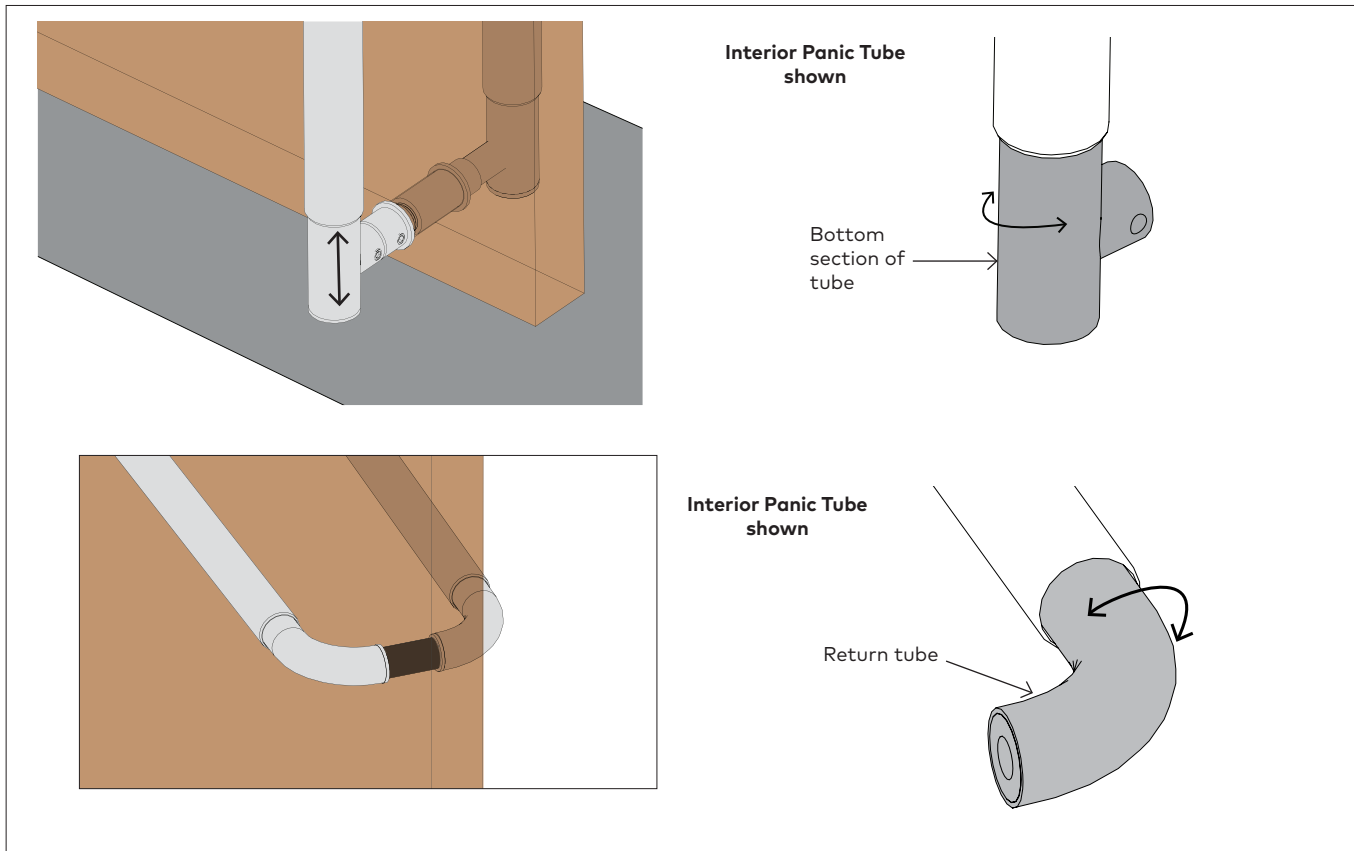


3.1.1 Once the door is properly installed, ensure dummy interior panic/pull matches height of working interior panic/pull.

3.1.2 See step 3.2 for tube height or length adjustment.

3.2 Final adjustments (tube height or length)

Fig 12



- 3.2.1 Ensure interior and exterior tubes are at the proper height and length.
- 3.2.2 To adjust height up or down:
- Twist top/bottom sections of tube clockwise or counter clockwise until desired height is met.

- 3.2.3 To adjust length of tube:
- Twist return clockwise or counter clockwise until desired length is met.

3.3 Loctite part list

Fig 13

GP11 part	Referenced step
Actuator set screws *	Step 2.2
Interior glass mounting plate set screw *	Step 2.7.2
Interior return tube rose	Step 2.8.3
Interior return tube set screw *	Step 2.9.2
* To be completed after final adjustments (step 3.2)	

