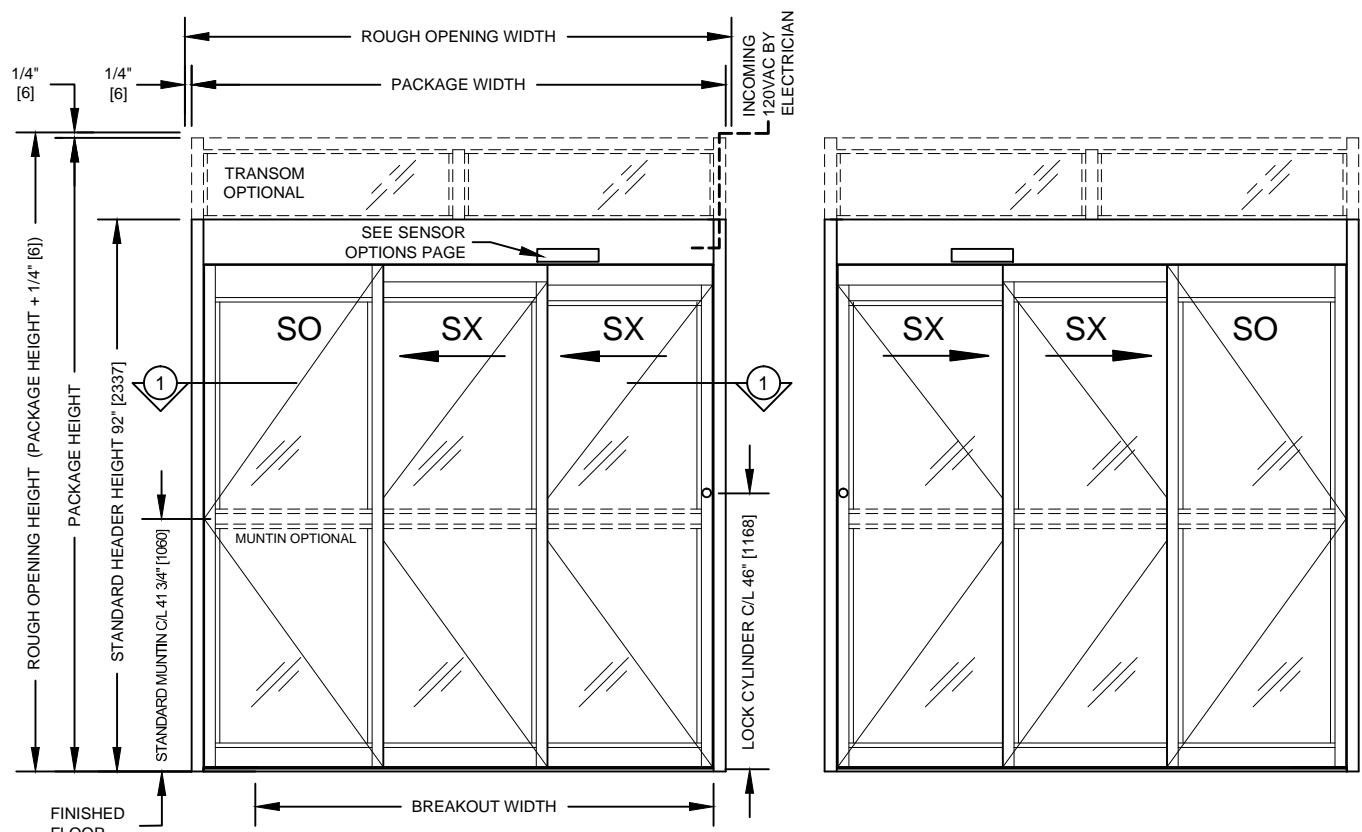
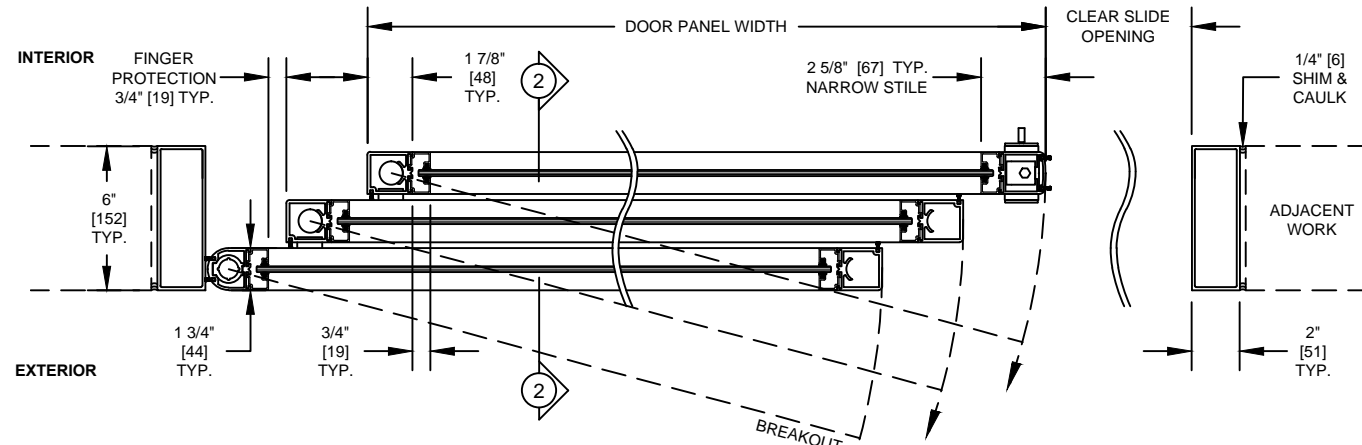


SECTION 2
TYPE: SO-SX-SX, SX-SX-SO



EXTERIOR ELEVATION
TYPE: SO-SX-SX, SX-SX-SO



SECTION 1
TYPE: SO-SX-SX SHOWN, SX-SX-SO OPPOSITE
DOOR SHOWN IN OPEN POSITION WITHOUT THRESHOLD

Package Width	Rough Opening Width	Clear Slide Opening	Door Panel Width	Breakout Width
(7'-0") 84" [2134]	84 1/2" [2146]	44 9/16" [1132]	28 5/16" [719]	74 1/2" [1892]
(8'-0") 96" [2438]	96 1/2" [2451]	52 9/16" [1335]	32 5/16" [821]	86 1/2" [2197]
(9'-0") 108" [2743]	108 1/2" [2756]	60 9/16" [1538]	36 5/16" [922]	98 1/2" [2502]
(10'-0") 120" [3048]	120 1/2" [3061]	68 9/16" [1742]	40 5/16" [1024]	110 1/2" [2807]
Width Formulas	(Package Width) + 1/2" [13]	(Package Width x 2/3) - 11 7/16" [291]	(Package Width / 3) + 5/16" [8]	(Package Width) - 9 1/2" [241]

- This Single Telescopic door package consists of:
 - Operator:
 - Two combination motion/presence sensors (one on each side) (See sensor options page).
 - ESA II motor drive unit with self-learning and self-monitoring microprocessor controller.
 - Jamb mounted 5 function rocker switch panel (see mode switch options page).
 - Panels:
 - 2-5/8" [67] Narrow stile door panels (including 3/4" [19] wide glass stop).
 - 3-1/4" [83] Optional muntin mounted at 41-3/4" [1060] centerline on all panels (including 3/4" [19] wide glass stop).
 - 4" [102] Bottom rails (including 3/4" [19] wide glass stop).
 - 2" [51] x 6" [152] Smooth jambs.
 - Vertical and horizontal brush type weather stripping (AAMA-701-11Class A).
 - Manual two point mortise lock with thumb turn and key cylinder.
 - 3/4" [19] wide snap-in glass stops for glazing from 1/4" [6] to 1-1/4" [32] thick at 1/8" [3] increments.
 - ADA Compliant Surface applied track and threshold 1/2" [13] x 6 5/8" [168].
 - Breakaway sliding door panels (SX) and breakaway sidelights (SO) panels.
 - Limit arm on SX and SO Panels.
 - Breakout sensors in SO panels.
 - Finishes:
 - Clear anodized (BHMA 204).
 - Dark Bronze anodized (BHMA 313).
- Optional Transom:
 - Single vertical 2" [51] x 6" [152] smooth mullion (Standard). Multiple verticals available.
 - Glass thickness options 1/4" [6] thru 1-1/4" [32] at 1/8" [3] increments.
 - Snap-in sash on all sides.
- Typical Package Options:
 - Finishes: special anodized, PVDF (wet) paint, powder coat, and cladding available. header, panels and jambs only.
 - Muntins: multiple, various heights, locations and recessed exit device.
 - Bottom Rails: 7" [178], 10" [254]. Other heights available.
 - Santoprene rubber weather stripping available.
 - Locking and Security Options:
 - Bi-stable autolock sliding carrier lock concealed in header.
 - 3-point lock and reinforced strike.
 - Security contacts.
 - Keyed mode switch panel (5 function or 3 function) (see mode switch options page).
 - Recessed exit device in 5 1/2" [140] in SX muntin.
 - Surface applied 8600 exit device.
 - Recessed or 3-piece surfaced applied threshold available.
- Drawing Notes:
 - Drawing dimensions are in English & Metric units. Metric units are displayed as: 1" [25] millimeters.
 - Typical package dimensions: (Glass thickness may be limited by panel size)
 - Each door package is manufactured to your custom size requirements.
 - Package Width: Min. 6'-6" [1981] to Max. 12' [3658].
 - Header Height: Min. 7'-5 1/8" Max. 10' [2234].
 - Package Height: Max. 12' [3658] with Transom.
 - SX Panel Weight: Max. Weight 200 lbs [90kg].
 - Maximum special application limits: (Sizes may be restricted due to complexity and application) (Please contact Dorma Architectural Services for dimensions outside of typical sizes above).
 - Package Width: Min. 6'-6" [1981] to Max. 13'-6" [4115].
 - Package Height: Max. 16' [4877].
 - Header Height: Max. 12' [3658].
 - Transom Height: Min. 8" [203] to Max. 4' [1220].
 - SX Panel Width: Max. Width 56" [1422].
 - SO Panel Width: Max. Width 60" [1524].
 - SO Panel Weight: Max. 250 lbs [113 kg].
 - SX Panel Size Limit = (SX Panel Width x Weight) < 800 ft-lbs [1084 N-m] Max.
- Power Requirements:
 - 120V +/- 10%, 50/60 Hz, 6.6A peak, 250 W. Up to 4 operators on a single 20A breaker. Service to header by electrician.
- Standards of Compliance:
 - UL 325 & CSA 22.2 (listed with ETL).
 - Designed to comply with these standards depending on installation and application:
 - International Building Code (Section 1008).
 - ANSI/ BHMA 156.10.
 - NFPA 101 Life Safety Code (Section 7.2.1.9).
 - Refer to Local, State, National or AHJ. Building Code for minimum door height and minimum/maximum width allowable for egress requirements.
- Contact Dorma Architectural Services for more information:
 - Email: Autosupport@dorma-usa.com
 - Phone: 1(844)773-2669