



## Door closer TS 72

# The ideal solution for doors of up to 1,100 mm

The universally applicable door closer TS 72 is a great choice for all doors with conventional designs and constructions that should simply reclose after opening. It can be installed easily and quickly without a mounting plate.

The closing force is continuously adjustable to the individual door size using an adjustment screw.

ISO 9001 certified.

## Advantages listed point by point

### For trade

- Only one model for all standard doors.
- Flexible stock keeping thanks to uniform rods of the ClassicLine series.

### For fitters

- Suitable for DIN-L as well as DIN-R doors.
- Closing force, closing speed and latching action can be adjusted in only a few steps.

### For planners

- Optimum price-performance ratio.
- Compact, timeless design.

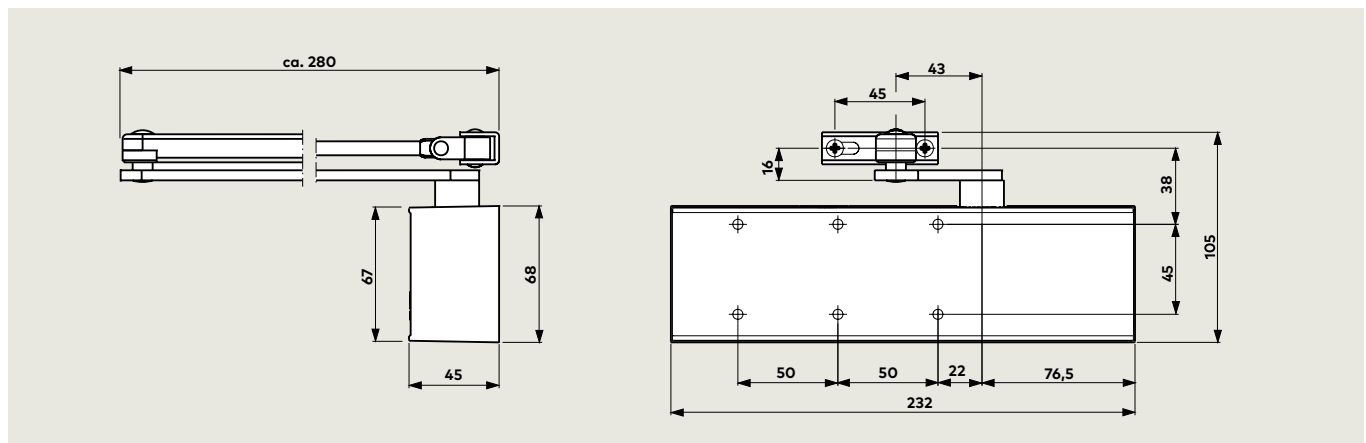
### For the end user

- Constant closing sequence, virtually independent of temperature fluctuations.
- Optimum adjustment of the closing time by means of two regulating valves.
- Secure closing thanks to adjustable latching action.

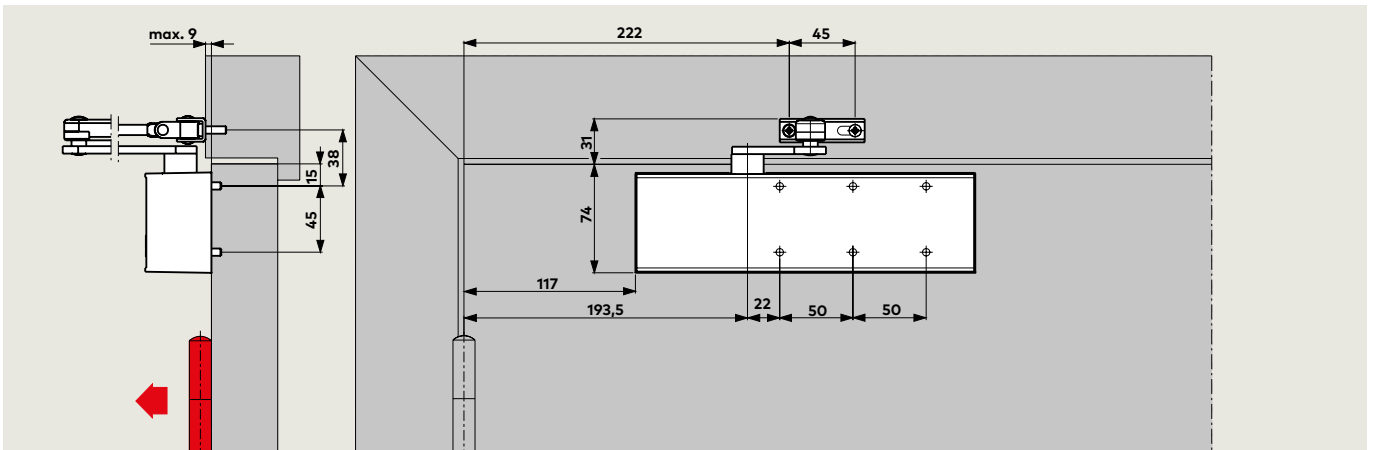
Data and features		TS 72
Continuously adjustable closing force	Size	EN 2-4
General doors	≤ 1,100 mm <sup>1)</sup>	●
Exterior doors, opening outwards		-
For fire and smoke doors		●
Same design for DIN-L (left-handed door) and DIN-R (right-handed door)		●
Bar	Standard	●
	Slide channel	-
Closing time continuously adjustable using two separate valves	180°-15° 15°- 0°	●
Continuously adjustable latching action (using rods)		●
Back check		-
Delayed closing		-
Hold open		○
Weight in kg		1.2
Dimensions in mm	Length (L) Depth (B) Height (H)	232 45 68
Door closers tested in accordance with EN 1154		●
CE-identification for construction products		●

● yes - no ○ Option

<sup>1)</sup> For parallel arm installation, the closing torque is approx. 20 Nm (for doors of up to 950 mm)

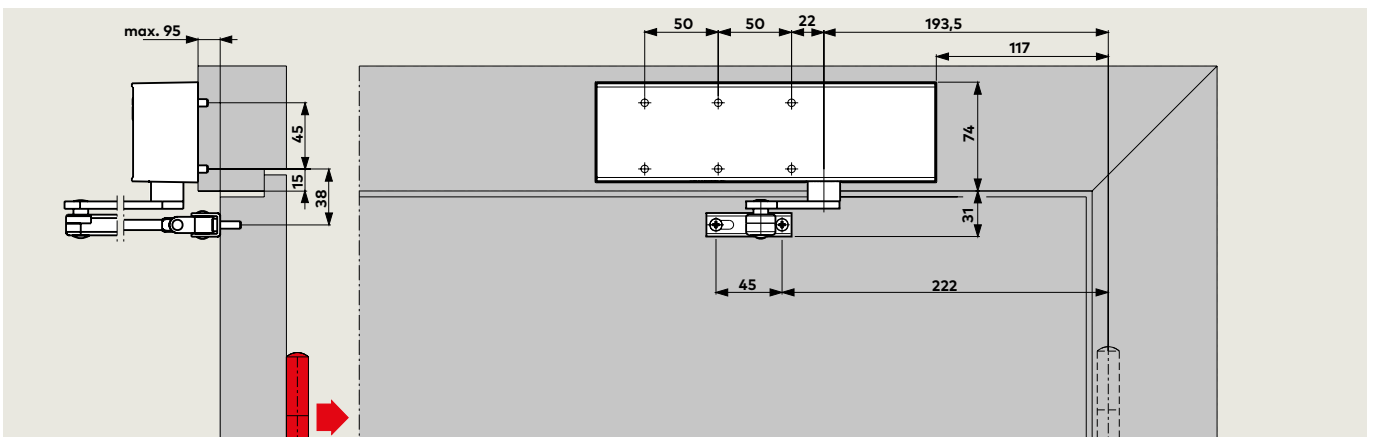


## Door-leaf mounting on hinge side/pull side



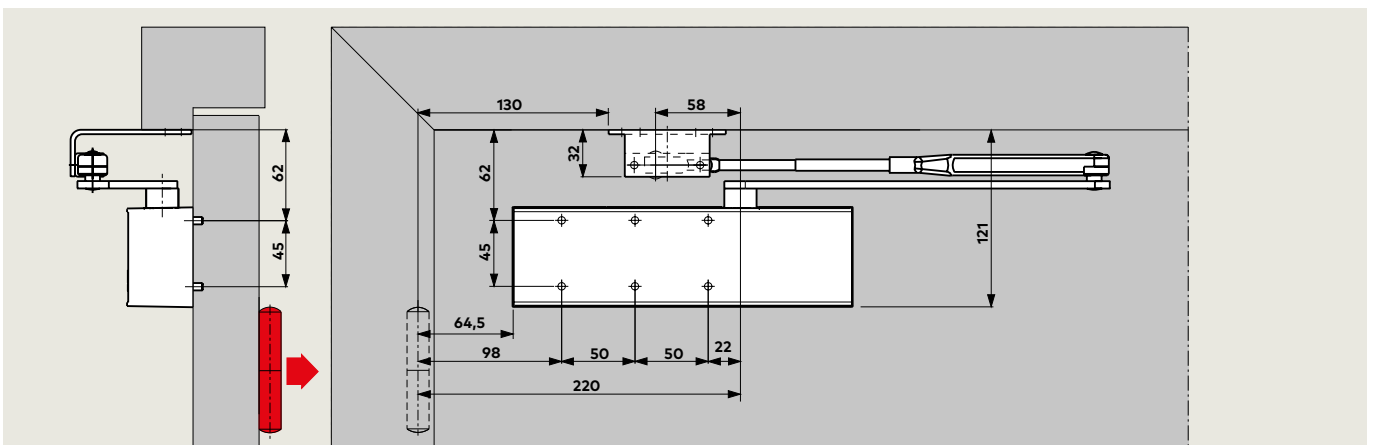
Example: DIN-L door, DIN-R door; mirror image

## Lintel mounting on opposite hinge side/push side



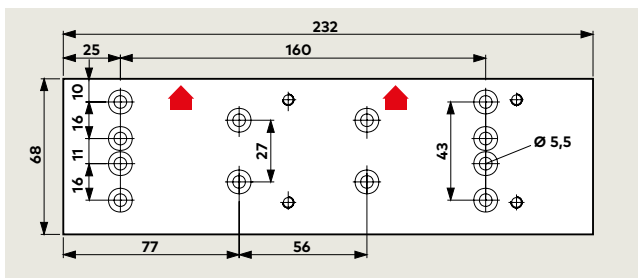
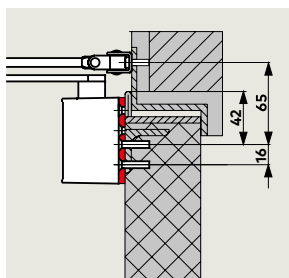
Example: DIN-L door, DIN-R door; mirror image

## Parallel arm installation on hinge side/push side



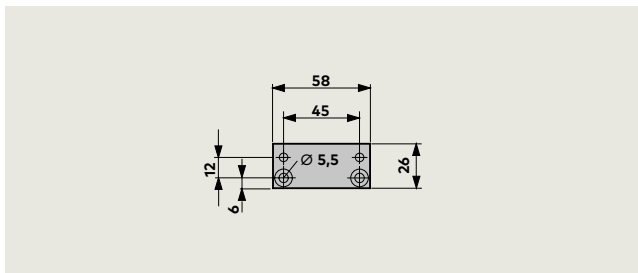
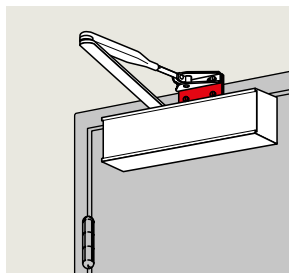
Example: DIN-R door, DIN-L door; mirror image parallel arm bracket (accessory) required  
With this type of mounting, the closing torque is approx. 20 Nm (for doors of up to 950 mm)

## Accessories



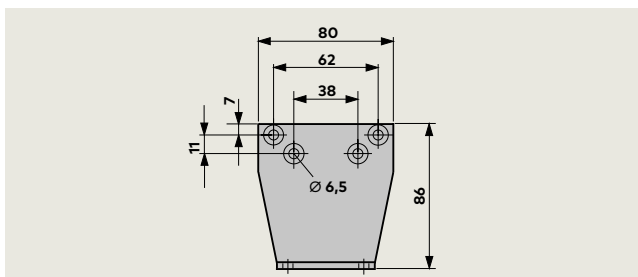
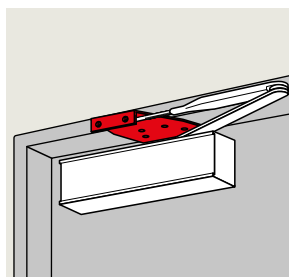
### Mounting plate

For mounting on doors where no direct mounting is possible. Hole group according to Supplementary sheet 1 to EN 1154.



### Hinge plate

For fastening the rod to particularly narrow door frames.



### Fixing bracket

For fastening the rod in the case of parallel arm installation.

## Product contents and accessories

Door closer	Standard arm	Latching arm	Mounting plate	Hinge plate	Fixing bracket for parallel arm installation
Size EN 2-4 ■ 222321xx	□ 220023xx	□ 220025xx	220021xx	830014xx	280066xx
	■ □	■ □	△	△	△

■ Separate closer □ Separate rod △ Accessories

xx	Colour
01	Silver-coloured
11	White (RAL 9016)
09	special colour

## Specification text

### Specification text

Gear-driven door closer with continuously adjustable closing force, size EN 2-4, adjustable closing time in two independent ranges and adjustable latching action. Can be used DIN-L and DIN-R. Tested in accordance with EN 1154.

### Version

- with standard arm
- with latching arm

### Accessories

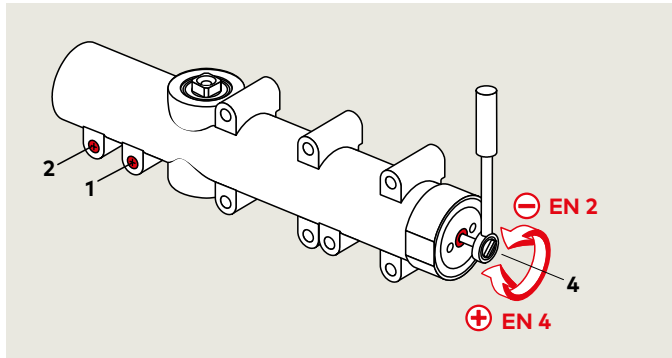
- Mounting plate
- Hinge plate
- Fixing bracket for parallel installation

### Colour

- Silver-coloured
- White (cf. RAL 9016)
- Special colour \_\_\_\_ (cf. RAL \_\_\_\_)

**Make** dormakaba TS 72

## Standard and optional functions



The **closing time** of the TS 72 can be continuously adjusted in two separate ranges using valves. The **latching action** can also be adjusted using the closer rods.

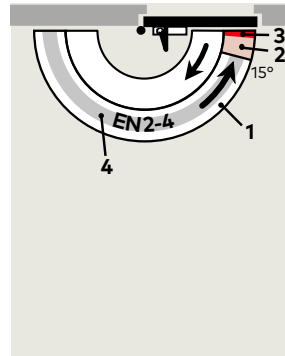
With the TS 72, the **closing force adjustment** for the respective door width can be performed using the continuously adjustable lateral adjustment screw.

### Door width      Adjustment to size

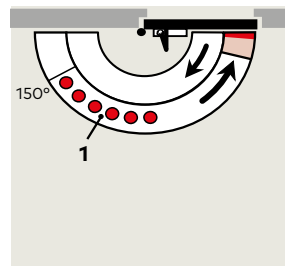
≤ 850	EN 2
≤ 950	EN 3
≤ 1,100	EN 4

When using the TS 72 with a **latching arm**, the door can be held open at a desired point (up to approximately 150°).

**Not suitable for fire and smoke doors.**



- 1 Continuously adjustable closing time in the range from 180°–15°.
- 2 Continuously adjustable closing time in the range from 15°–0°.
- 3 Latching action (via rods).
- 4 Continuously adjustable closing force.



- 1 Hold-open area



**Door  
Hardware**



**Electronic  
Access & Data**



**Mechanical  
Key Systems**



**Lodging Systems**



**Entrance  
Systems**



**Interior Glass  
Systems**



**Safe Locks**



**Service**

**dormakaba**  
**International Holding AG**  
Hofwisenstrasse 24  
CH-8153 Rümlang  
T +41 44 818 90 11  
info@dormakaba.com  
www.dormakaba.com