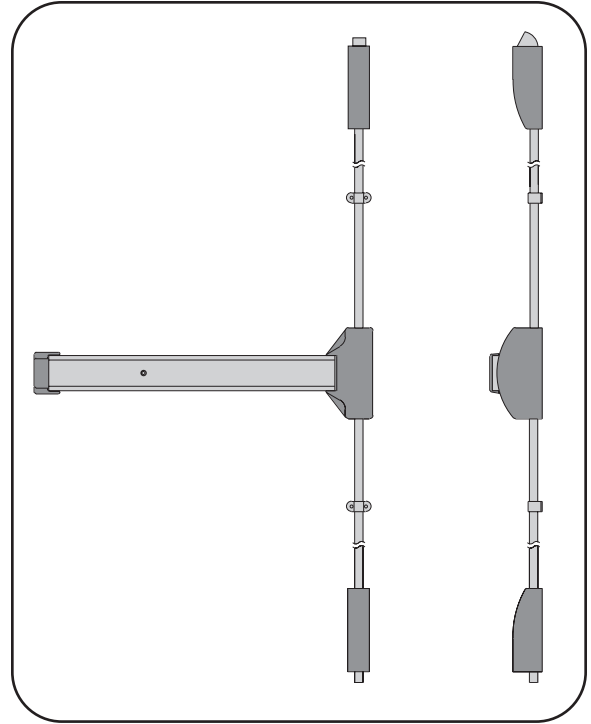


8300 Series



8400 Series



DORMA By Choice™

The quality management system at the Reamstown, Pennsylvania facility is certified to ISO 9001*.

*DORMA Door Controls, Inc. d.b.a. DORMA Architectural Hardware



DORMA 8000 SERIES EXIT DEVICES

Applications:

Rail assembly is constructed of solid steel with end caps manufactured of high impact ABS thermoplastics. Available for both labeled and non labeled openings. The 8000 series is a perfect choice when an economical and reliable exit device is required.

Listings & Approvals:

- ANSI/BHMA 156.3 Grade 1
- U.L. and C.U.L. for 3 hour applications for U.L. 10B and U.L. 10C
- CSFM approved, California State Reference code 1989 (title 19)

Warranty: 5 Year mechanical/2 year electrical.

Range of Door Sizes:

- 22"-48" (varies by application and selected options. Consult general catalogue for full details).

Finishes:

- Trim Finishes
Note: All trim is powder coated to match exit device, except K and R trims on 689 (Aluminum) or 630 (Satin Stainless) exit devices, which are furnished in 626 (Satin Chrome).
- Powder Coated Finishes
Aluminum: 689.
Bronze: 691 (Dull) or 695 (Dark Duranodic).
Gold: 696.

Special Application Assistance:

Please contact our Technical Services team at 800-523-8483 if you have any questions or need assistance in developing a custom application.

Exit Mounting Options:

- Rim with or without mullion (8300, F8300).
- Surface Vertical Rod (8400, F5400).

Available Functions:

| ANSI | Description | 9100 | 9300 | 9400 | 9500 |
|------|--|------|------|------|------|
| 1 | Exit only – no trim | x | x | x | x |
| 2 | Entrance by trim when actuating bar is locked down | x | x | x | x |
| 3 | Entrance by trim when latchbolt is retracted by key. Key is removeable only when locked. | x | x | x | x |
| 4 | Entrance by thumb piece. Key locks or unlocks thumb piece. | x | x | x | x |
| 5 | Entrance by thumb piece only when released by key. Key removeable only when locked | x | x | x | x |
| 6 | Entrance by knob or lever. Key locks or unlocks knob or lever | x | x | x | x |
| 8 | Entrance by lever. OS or IS key locks or unlocks lever | x | x | x | x |
| 22 | Entrance by thumb piece (no cylinder). Trim always active | x | x | x | x |
| 23 | Entrance by knob or lever (no cylinder). Trim always active | x | x | x | x |

Features/Options:

| | |
|---|---|
| Full range of escutcheon and sectional trim | 4 models 6 finishes |
| Solid steel with ABS Thermoplastics | U.L. Listed for hazard |
| Pullman type latch bolts for top latch | U.L. Listed for labeled fire doors (prefix F) |
| Grade 1 | Fiedl Reversible |
| Medium to heavy duty applications | Monitor switch in touch bar |
| Latch monitor | Delayed Egress Alarm |

Contact Information:

DORMA Architectural Hardware
Dorma Drive, Drawer AC
Reamstown, PA 17567-0411
Tel: 800-523-8483
Fax: 800-274-9724
Email: archdw@dorma-usa.com

A DORMA Group Company

www.dorma-usa.com