


































SVP/SVZ M-SVP

Self-locking
emergency escape
locks
Multipoint locks
with automatic
locking action

Contents

04	SVP/SVZ Features and functions	34	M-SVP 5000    Multipoint panic lock with automatic locking action
06	SVP for wide stile doors Dimensions/assembly	36	M-SVP 3000    Electromechanical multipoint panic lock with automatic locking action
10	SVP for narrow stile doors Dimensions/assembly	38	M-SVP 2200 DCW®  Multipoint motor lock with automatic locking action and panic function
12	SVP 5000    Panic lock with automatic locking action	41	M-SVP Accessories
14	SVP 4000    Panic lock with automatic locking action, electrically monitored	42	M-SVP 5500    Double-leaf mechanical multipoint lock
16	SVP 6000    Panic switch lock with automatic locking action and split follower	44	M-SVP 3500  Double-leaf electromechanical multipoint lock
20	SVZ 6000  Access control lock with automatic locking action	46	Further accessories • SVP-S Motor lock control units • SVP-S3x DCW®    Motor lock control unit • SVP-S4x DCW®    Motor lock control unit
22	SVP 7000 Air  Battery-operated panic switch lock with split follower	49	SVP/SVZ Accessories
26	SVP 2000 DCW®    Emergency-escape lock with automatic motorised locking action		
28	SVP 2000 DCW®F Panic lock with automatic motorised locking action and integrated PR module		
30	M-SVP Multipoint panic lock		

DCW® = DORMAKABA CONNECT AND WORK

SVP/SVZ – Locks with automatic locking action

Doors lock immediately after each closure as the deadbolt automatically advances – this is the clear advantage of SVP/SVZ locks with automatic locking action. At the same time, the clawbolt latch locks, facilitating free lock-out of the latch bolt and providing a “two-point locking”. The panic function of the SVP locks ensures that the door can be easily opened at any time from the inside by simply operating the lever handle.

The programme includes 5 model series:

SVP 5000

A purely mechanical lock with a panic function

SVP 4000

An electrically-monitored panic lock with integrated manipulation-protected detectors for monitoring latches, cylinders, handles and latch bolts.

SVP 6000

An electrically-monitored panic lock with a split follower for the electrical engagement/disengagement the outside handle and manipulation-protected detectors

SVZ 6000

Access control lock just like the SVP 6000 but without a panic function

SVP 2000 DCW®

Motor lock with manipulation-protected detectors and sequential control for the highest security

SVP 2000 DCW® F

Motor lock with integrated power reserve module (PR module) for fire and smoke doors and with manipulation-protected detectors

SVP 7000 Air

Electrical battery-powered switch lock with split follower for electrical engagement and disengagement of the outside handle.

Benefits – point by point

- Automatic and immediate locking of doors after each closure.
- Insurance-compliant locking with 20 mm deadbolt projection
- Two-point locking via deadbolt and engagement of the clawbolt latch
- The panic function allows you to open the door in the escape direction at any time by operating the lever handle (not SVZ)
- Can be used on wide and narrow stile doors, for profile and profile round cylinders
- 24 mm forend width, use in DIN-L/DIN-R
- Corrosion-protected lock case
- Forend and strike plate made of stainless steel. Strike plate is included in shipment.

F Certificate of suitability

The SVP/SVZ locks with automatic locking action have been approved and quality-tested by the notified body MPA in Dortmund.

An approval or verification of suitability in conjunction with the respective fire and smoke door may be required.



The SVP locks in combination with lever handles and panic bars from various manufacturers have been certified according to EN 179 "Emergency exit devices operated by a lever handle or push pad" and EN 1125 "Panic exit devices operated by a horizontal bar", and therefore carry the CE mark of conformity.

Version EN 179 + EN 1125

SVP/SVZ features	SVP 5xxx	SVP 4xxx	SVP 6xxx	SVZ 6xxx	SVP 2000 DCW®	SVP 2000 DCW® F	SVP 7000 Air
Mechanical lock	●	●	–	–	–	–	–
Lever handle-controlled lock	–	–	●	●	–	–	●
Motor lock	–	–	–	–	●	●	–
Access control lock	–	–	–	●	–	–	–
Panic function:	●	●	●	–	●	●	● ³⁾
Mechanical self-locking	●	●	●	●	●	●	●
Mechanical process control	●	●	●	●	●	●	●
Two-point locking	●	●	●	●	●	●	–
Sabotage line	–	●	●	●	●	●	–
Deadbolt monitoring	–	●	●	●	●	●	–
Signalling of handle operation/emergency unlocking	–	●	●	●	●	●	–
Door-open monitoring via trigger	–	●	●	●	●	●	–
cylinder contact	–	●	●	●	●	●	–
Outside handle electrically engageable/disengageable	–	–	●	●	–	–	●
Electrical motorised unlocking	–	–	–	–	●	●	–
Adjustable unlocking time	–	–	–	–	●	●	–
Permanent external access is possible (permanent open) ¹⁾	–	–	●	●	–	–	●
Automatic locking function can be electrically turned off (permanent open) ²⁾	–	–	–	–	●	–	–
Automatic switching off of permanent open/permanent door release if there is a power failure	–	–	●	●	○ ²⁾	–	–
Electronic sequential control (anti-tamper protection)	–	–	–	–	●	●	–
Automatic reset of the enabling when the door fails to open	–	–	●	●	●	●	–
Approval in accordance with EN 179	●	●	●	–	●	●	●
Approval in accordance with EN 1125	●	●	●	–	●	●	●

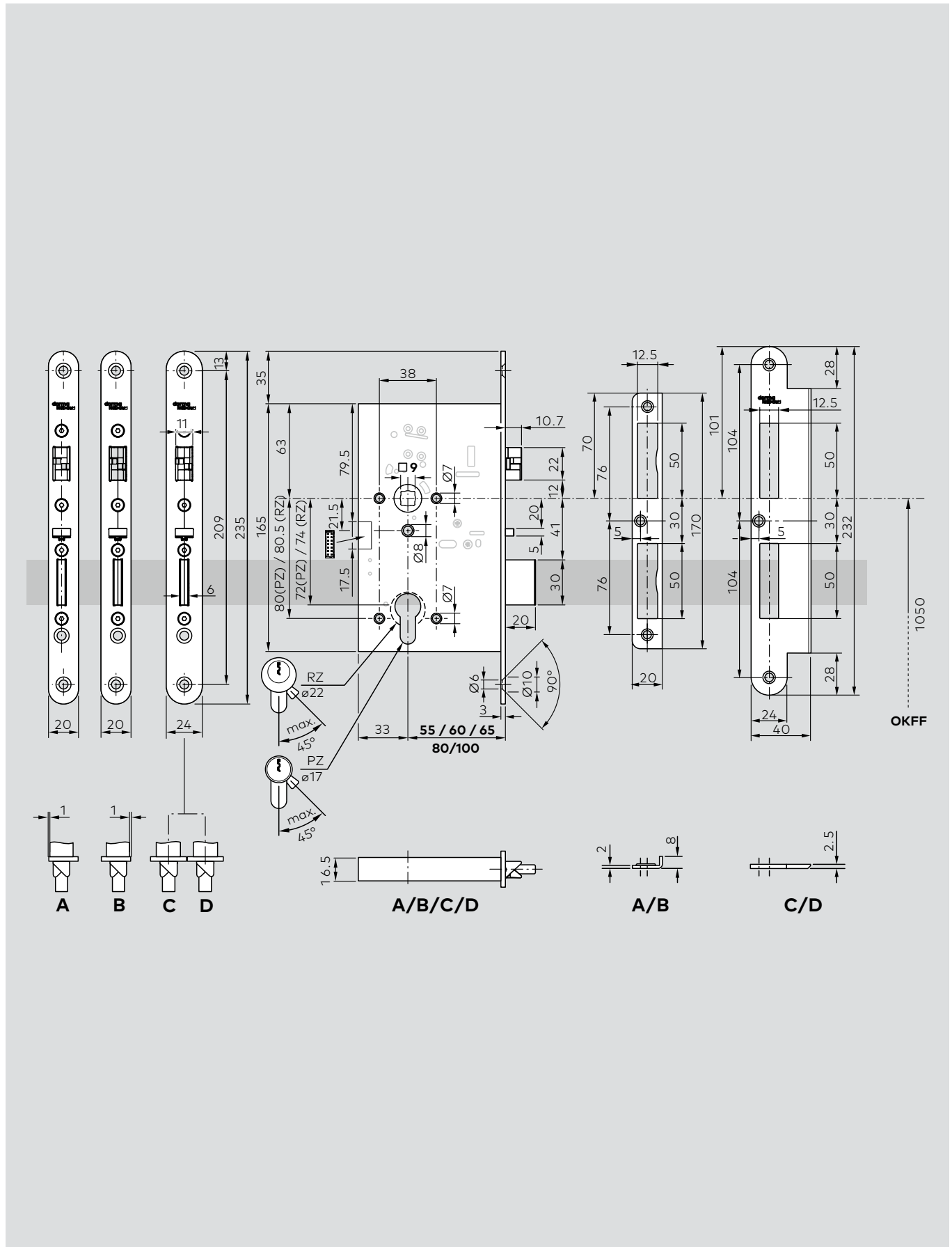
● = yes – = no ○ = optional

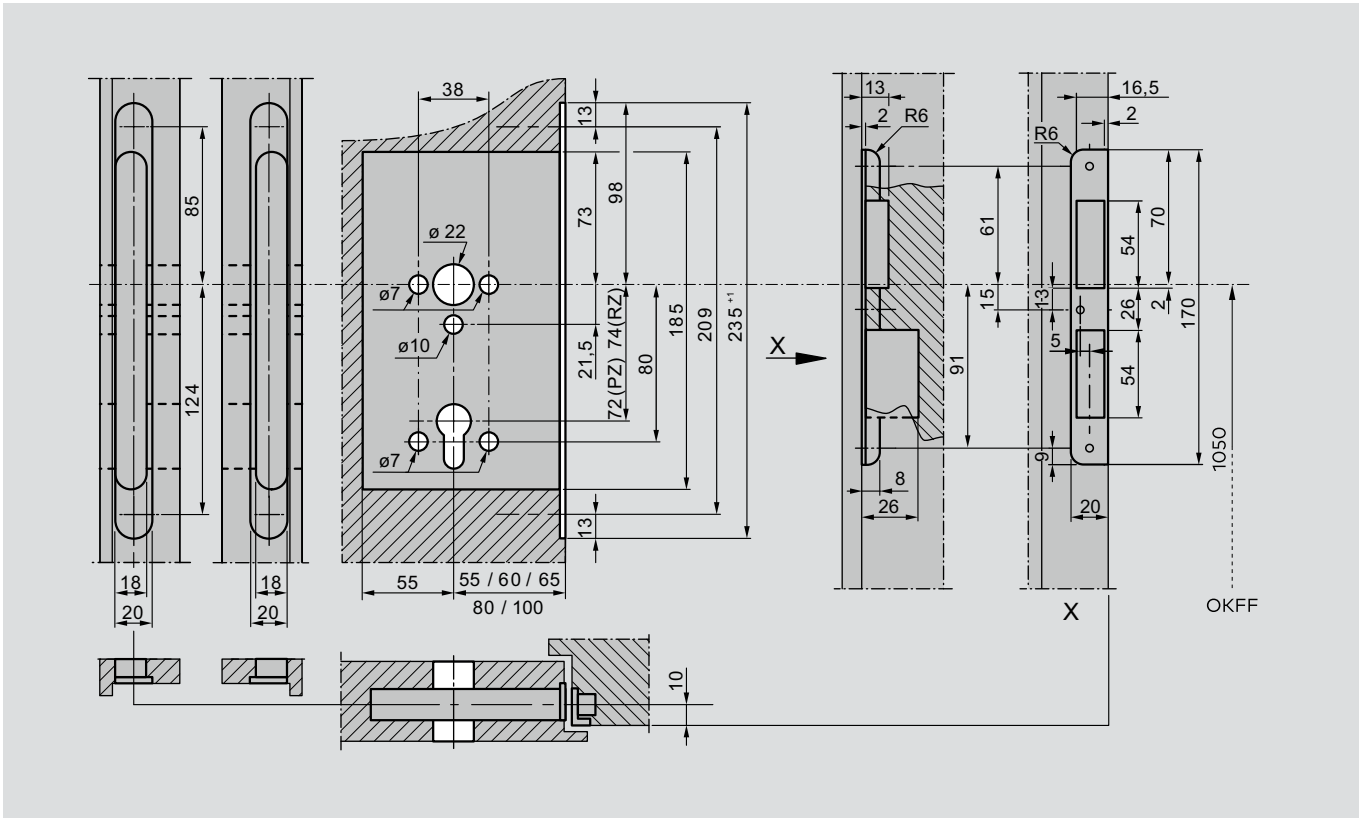
¹⁾ PERMANENT OPEN function also permissible on fire and smoke doors as the doors have a blocking lever in case of a fire.

²⁾ In combination with the PR module

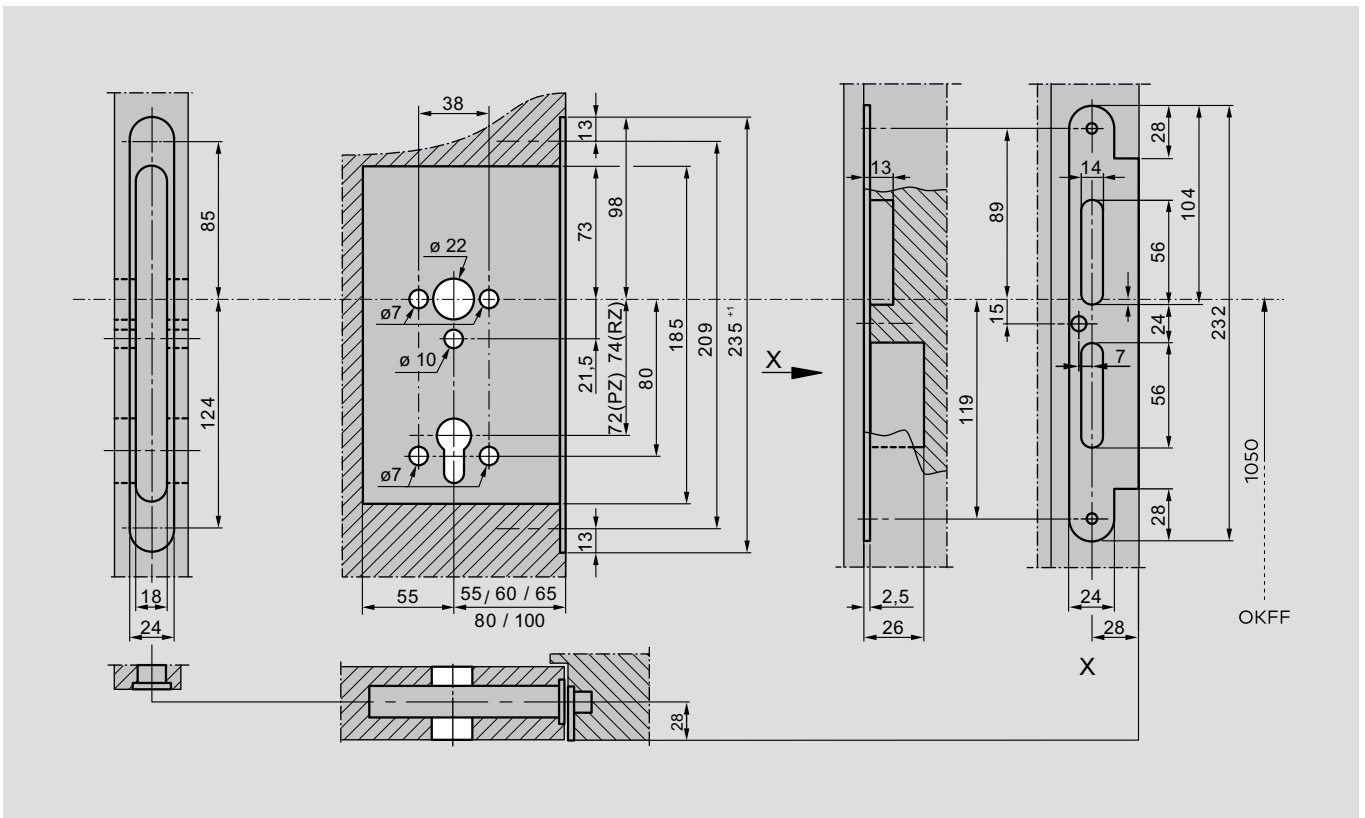
³⁾ In combination with SVP-S Air

SVP 2000 DCW®/2000 DCW® F/4000/5000/6000 for wide stile doors



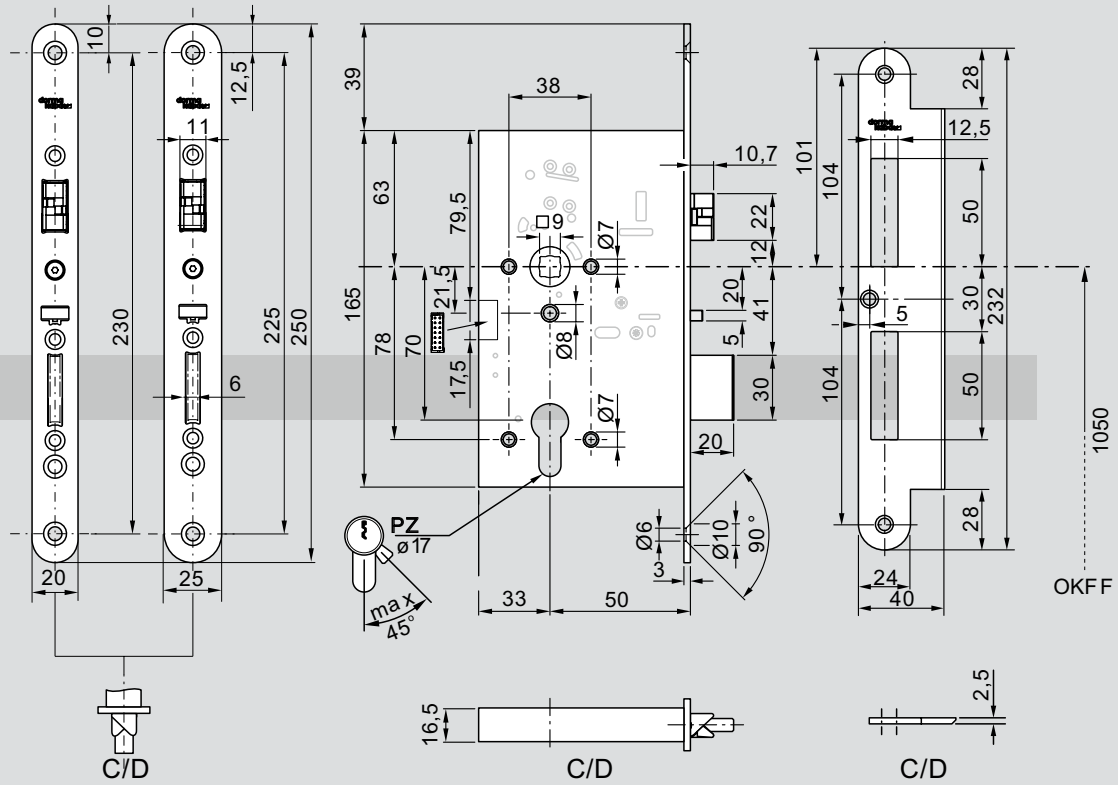


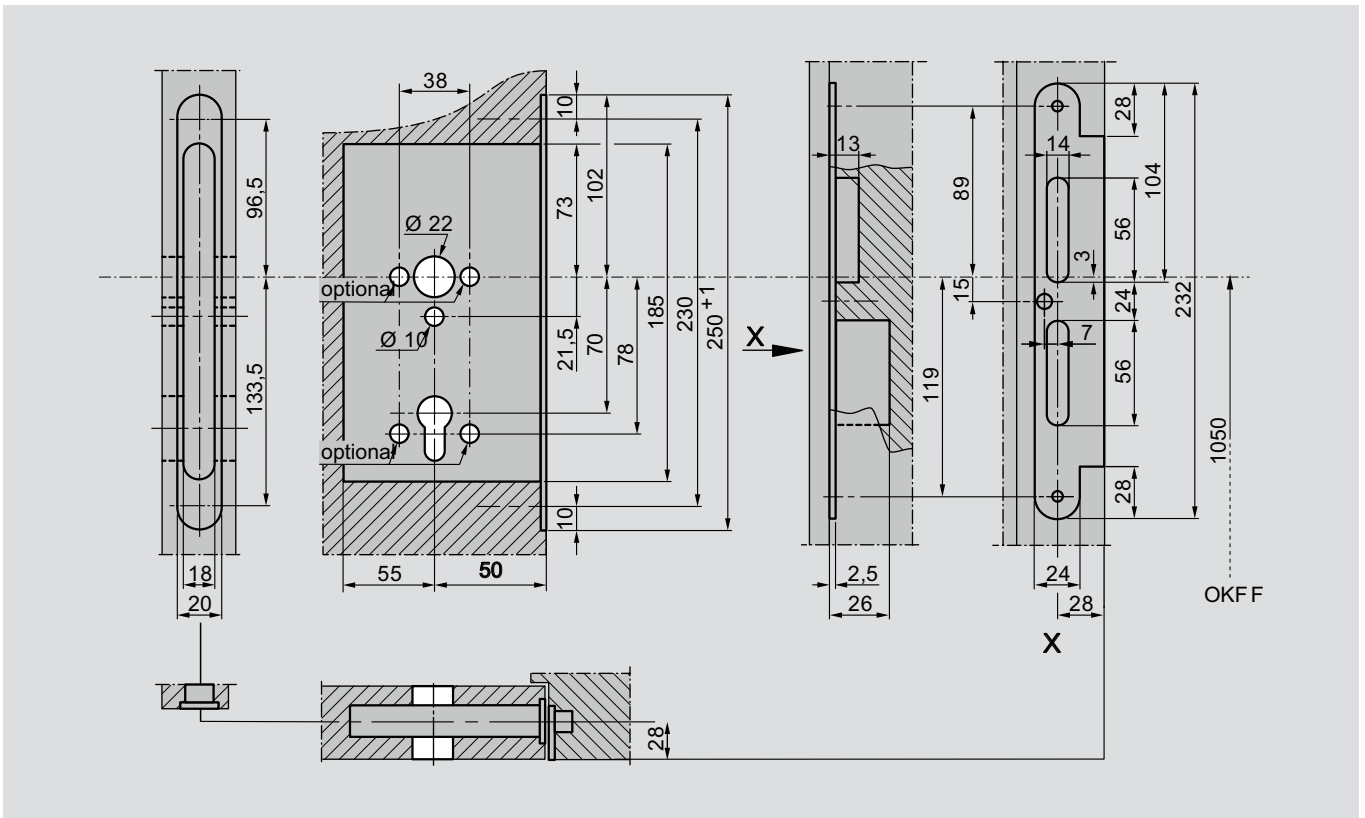
Rebated door



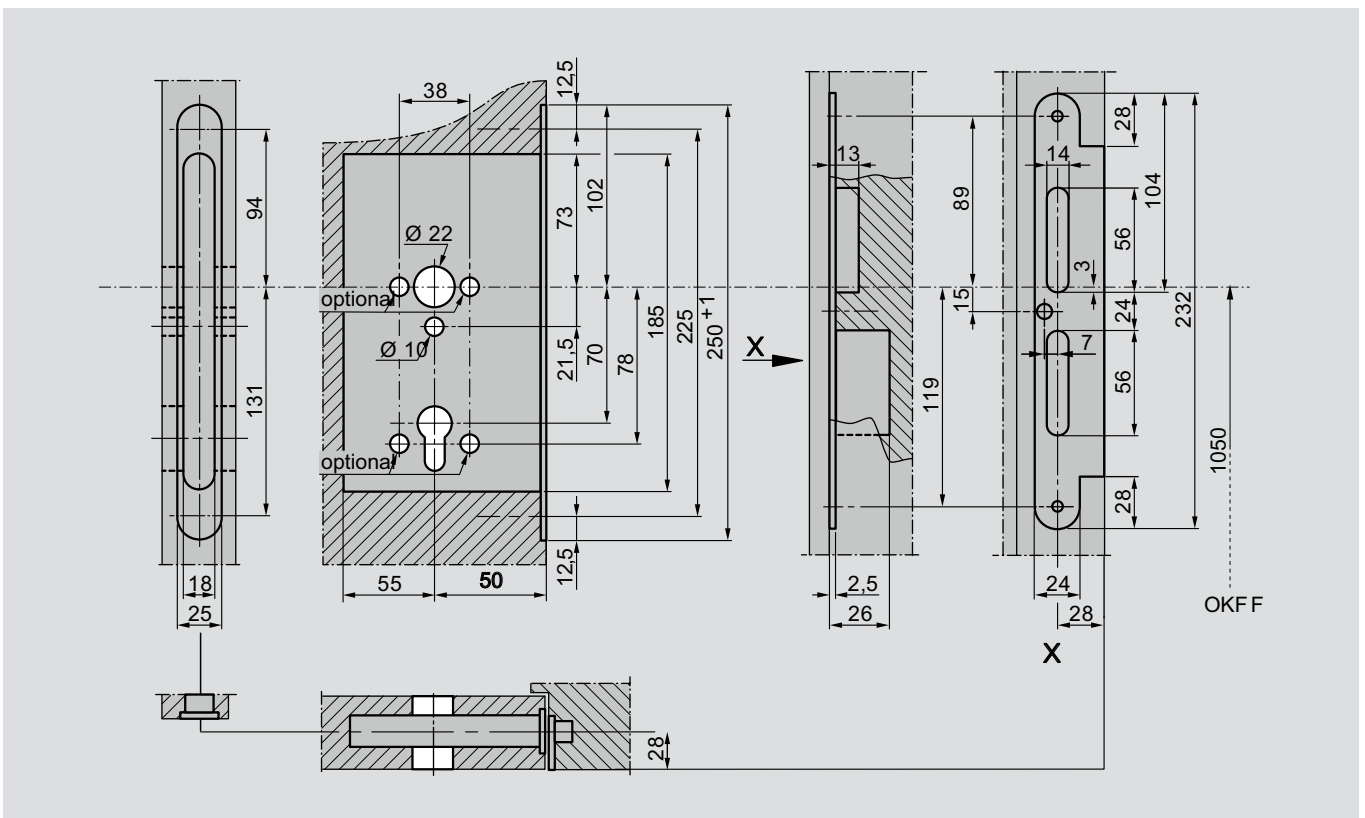
Non-rebated door

SVP 424X/524X/624X for wide stile doors



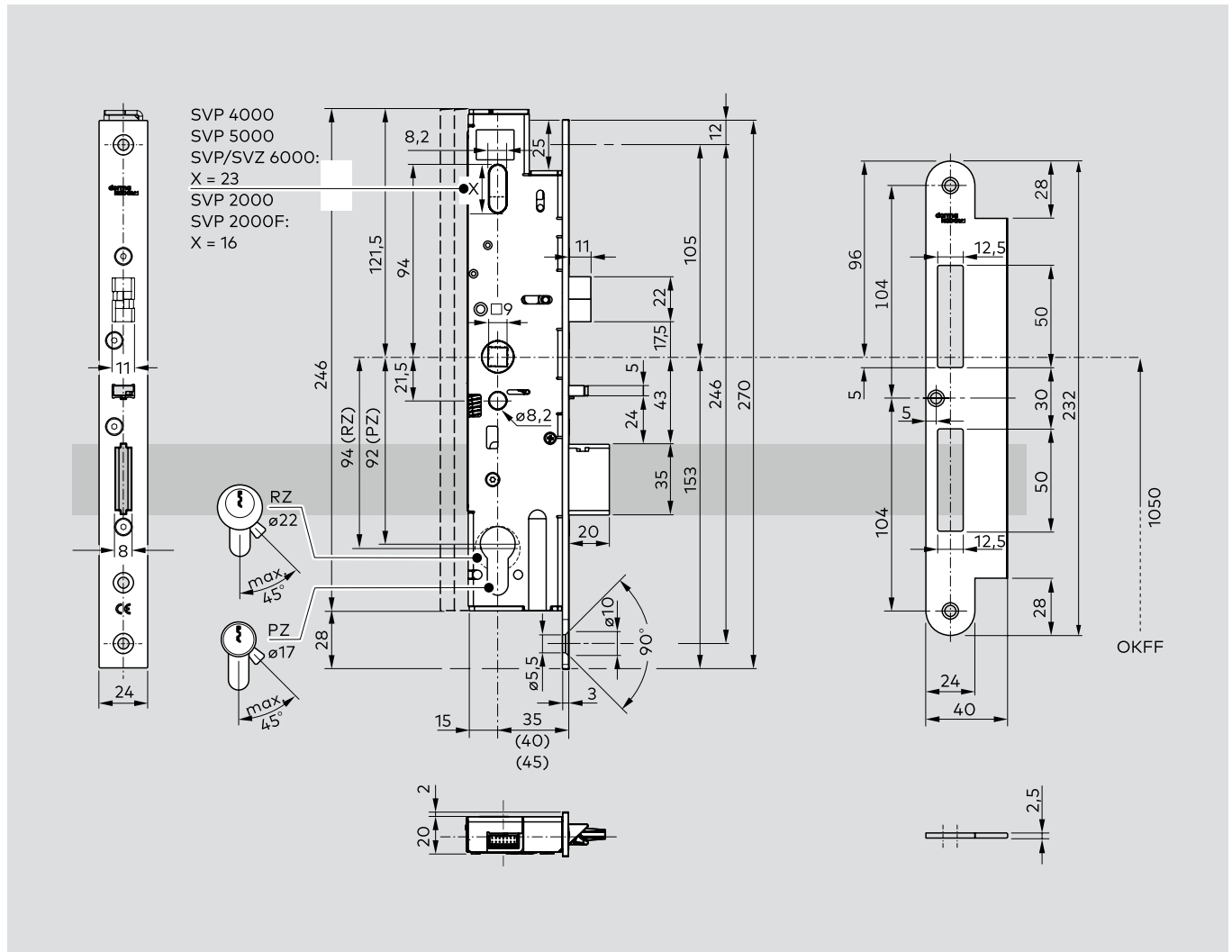


Rebated door



Non-rebated door

SVP 2000 DCW®/2000 DCW® F/4000/5000/6000 for narrow stile doors



SVP 5000 – emergency-escape lock with automatic locking action

SVP 5xxx

Panic lock with automatic locking action and mechanical sequential control. Two-point locking activated by pre-loaded spring when door closes. Non-handed trigger (24 mm forend versions can be used DIN L/R), panic unlocking via lever handle, change to unlocking function with key access from the outside. Steel bolt, projection 20 mm. 9 mm square-section follower. Corrosion-protected lock case in DIN dimensions, complete with forend and strike plate in stainless steel, included in delivery. Certified in accordance with EN 179 and EN 1125 for use with panic door fittings and certified according to EN 12209, featuring standards as eg durability, fire/smoke resistance, corrosion and temperature resistance and security level.

Installation:

- PC pierced
- RC pierced
- Rebated door
(forend 235 x 20 mm,
angled strike plate)
- Non-rebated door
(forend 235 x 24 mm,
lipped strike plate)
- Narrow stile door
(forend 270 x 24 mm,
lipped strike plate)

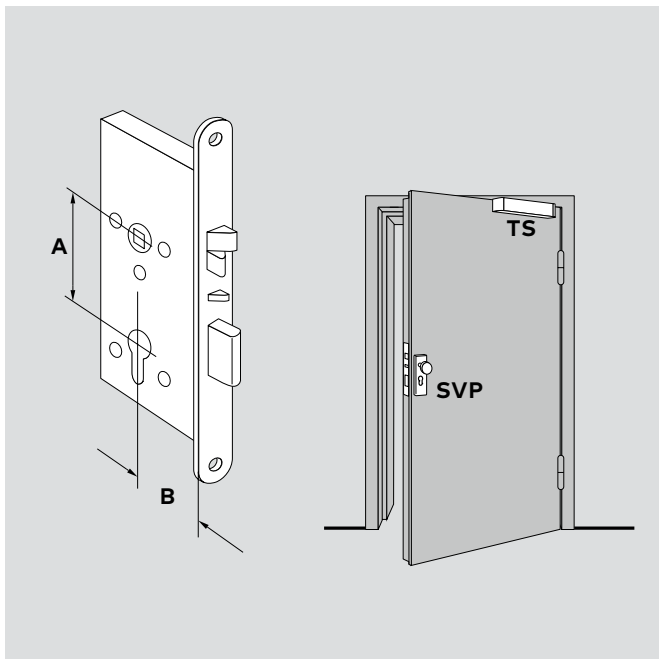
Distance _____ mm

Backset _____ mm

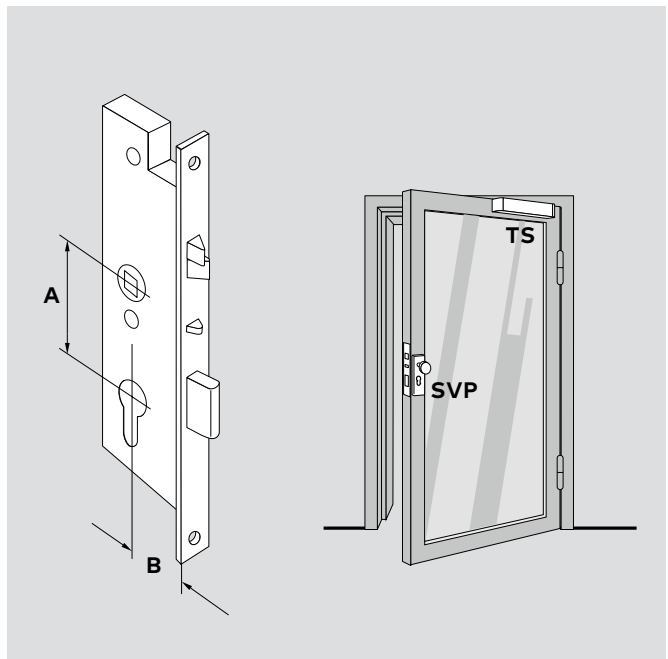
DIN _____

Other accessories

see pages 46–51



SVP 52xx/SVP 53xx



SVP 57xx/SVP 58xx

SVP 5xxx for wide stile doors

Lock cylinder	Door type	Distance A	Backset B	DIN	Type	Article no.			
PC	Non-rebated door Forend: 235 x 20 (for France only)	70	50	L	SVP 5241	70524100			
				R	SVP 5242	70524200			
	Non-rebated door Forend: 235 x 24 (for France only)	70	50	L/R	SVP 5247	70524700			
PC	Rebated door Forend: 235 x 20	72	55	L	SVP 5251	70525100			
				R	SVP 5252	70525200			
			60	L	SVP 5261	70526100			
				R	SVP 5262	70526200			
			65	L	SVP 5271	70527100			
				R	SVP 5272	70527200			
			80	L	SVP 5281	70528100			
				R	SVP 5282	70528200			
			100	L	SVP 5291	70529100			
				R	SVP 5292	70529200			
			Non-rebated door Forend: 235 x 24	72	55	L/R	SVP 5257	70525700	
						60	L/R	SVP 5267	70526700
						65	L/R	SVP 5277	70527700
						80	L/R	SVP 5287	70528700
100	L/R	SVP 5297				70529700			
RC	Rebated door Forend: 235 x 20	74	60	L	SVP 5361	70536100			
				R	SVP 5362	70536200			
			65	L	SVP 5371	70537100			
				R	SVP 5372	70537200			
			80	L	SVP 5381	70538100			
				R	SVP 5382	70538200			
			100	L	SVP 5391	70539100			
				R	SVP 5392	70539200			
			Non-rebated door Forend: 235 x 24	74	60	L/R	SVP 5367	70536700	
						65	L/R	SVP 5377	70537700
						80	L/R	SVP 5387	70538700
						100	L/R	SVP 5397	70539700

SVP 5xxx for narrow stile doors

Lock cylinder	Door type	Distance A	Backset B	DIN	Type	Article no.
PC	Narrow stile door Forend:	92	35	Universal	SVP 5719	70571900
			40	Universal	SVP 5729	70572900
			45	Universal	SVP 5739	70573900
RC		94	35	Universal	SVP 5819	70581900
			40	Universal	SVP 5829	70582900
			45	Universal	SVP 5839	70583900

All dimension data in millimetres (mm)

PC European profile cylinder RC Profile round cylinder L DIN-L R DIN-R

SVP 4000 – Panic lock with automatic locking action and electronic status monitoring

SVP 4xxx

Panic lock with automatic locking action, electric monitoring and mechanical sequential control. With status monitoring for detecting "locked" (> 90%), "unlocked" (< 10% of the latch bolt path), "door open/closed" (via trigger) as well as "handle operation/emergency unlocking" and "cylinder contact". Maximum load current: 30 V DC, 100 mA. Two-point locking activated by pre-loaded spring when door closes. Non-handed trigger (24 mm forend versions can be used DIN L/R). Emergency unlocking by lever handle, change to unlocking function with key access from the outside. Steel bolt, projection 20 mm. 9 mm square-section follower Corrosion-protected lock case in DIN dimensions, complete with forend and strike plate in stainless steel, included in delivery. Certified in accordance with EN 179 and EN 1125 for use with panic door fittings and certified according to EN 12209, featuring standards as eg durability, fire/smoke resistance, corrosion and temperature resistance and security level.

Installation:

- PC pierced
- RC pierced
- Rebated door
(forend 235 x 20 mm,
angled strike plate)
- Non-rebated door
(forend 235 x 24 mm,
lipped strike plate)
- Narrow stile door
(forend 270 x 24 mm,
lipped strike plate)

Distance _____ mm
Backset _____ mm
DIN _____

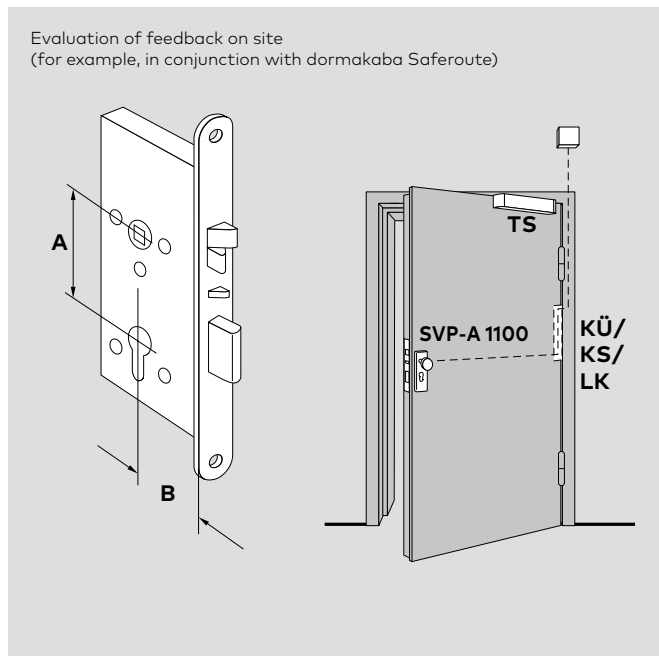
Required accessories

(to be ordered separately):

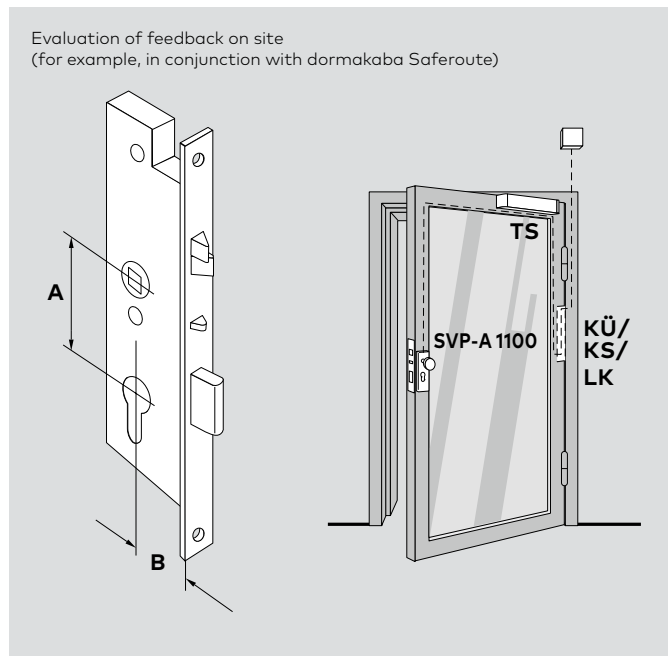
- dormakaba SVP-A connection cable
- dormakaba cable transition/cable loop

Other accessories

see pages 46–51



SVP 42xx/SVP 43xx



SVP 47xx/SVP 48xx

SVP 4xxx for wide stile doors								
Lock cylinder	Door type	Distance A	Backset B	DIN	Type	Article no.		
PC	Non-rebated door Forend: 235 x 20 (for France only)	70	50	L	SVP 4241	70424100		
				R	SVP 4242	70424200		
	Non-rebated door Forend: 235 x 24 (for France only)	70	50	L/R	SVP 4247	70424700		
	Rebated door Forend: 235 x 20	72	55	L	SVP 4251	70425100		
				R	SVP 4252	70425200		
				60	L	SVP 4261	70426100	
				R	SVP 4262	70426200		
				65	L	SVP 4271	70427100	
				R	SVP 4272	70427200		
				80	L	SVP 4281	70428100	
				R	SVP 4282	70428200		
				100	L	SVP 4291	70429100	
				R	SVP 4292	70429200		
	Non-rebated door Forend: 235 x 24	72	55	L/R	SVP 4257	70425700		
				60	L/R	SVP 4267	70426700	
				65	L/R	SVP 4277	70427700	
				80	L/R	SVP 4287	70428700	
				100	L/R	SVP 4297	70429700	
RC	Rebated door Forend: 235 x 20	74	60	L	SVP 4361	70436100		
					R	SVP 4362	70436200	
					65	L	SVP 4371	70437100
					R	SVP 4372	70437200	
					80	L	SVP 4381	70438100
					R	SVP 4382	70438200	
					100	L	SVP 4391	70439100
		R	SVP 4392	70439200				
		Non-rebated door Forend: 235 x 24		60	L/R	SVP 4367	70436700	
					65	L/R	SVP 4377	70437700
					80	L/R	SVP 4387	70438700
					100	L/R	SVP 4397	70439700

SVP 4xxx for narrow stile doors						
Lock cylinder	Door type	Distance A	Backset B	DIN	Type	Article no.
PC	Narrow stile door Forend:	92		Universal	SVP 4719	70471900
				Universal	SVP 4729	70472900
				Universal	SVP 4739	70473900
RC		94		Universal	SVP 4819	70481900
				Universal	SVP 4829	70482900
				Universal	SVP 4839	70483900

All dimension data in millimetres (mm)

PC Profile cylinder RC Profile round cylinder L DIN-L R DIN-R

Wiring layout

SVP-A Cable colours	Function
sw = black	free
br = brown	"Trigger engaged", NC
rs/gr = pink/grey	"SVP unlocked", NO
rt = red	free
ws = white	free
ge = yellow	"SVP unlocked" and "Trigger engaged" and cylinder actuated/lock open, C
gn = green	Cylinder actuated, NO
gr = grey	Sabotage line
rs = pink	Sabotage line
rt/bl = red/blue	"SVP locked", NC
bl = blue	"Handle operated", NO
vi = purple	"SVP locked" and "Handle operated", C

SVP 6000 – switch-monitored panic lock with automatic locking action

SVP 6xxx

Panic switch lock with automatic locking action, versions for narrow stile (67xx/68xx) or wide stile doors (62xx/63xx), electrically monitored, with split follower, electrically-activated outside handle and mechanical sequential control. With status monitoring for detecting "locked" (> 90%), "unlocked" (< 10% of the latch bolt path), "door open/closed" (via trigger) as well as "handle operation/emergency unlocking" and "cylinder contact". When there is no power, the outside handles are disengaged (fail secure) or engaged (fail safe). The outside handle is engaged or disengaged by activating the solenoid (for example, via the access control system). The lever handle is always engaged in the direction of escape. Activation of the outside handle is effected via a GND contact by means of a potential-free NO (operating current) or NC (closed-circuit current). Permanently open mode possible (permanent engagement of outside handle, e.g. for daytime mode). Two-point locking activated by pre-loaded spring when door closes. Non-handed trigger (24 mm forend versions can be used DIN L/R). Unlocking from the outside using key or engaged outside handle.

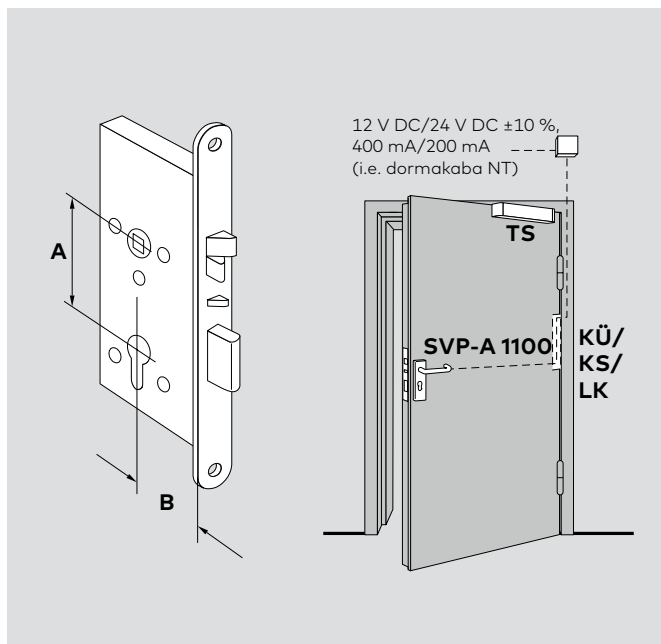
Steel bolt, projection 20 mm. Split 9 mm square-section follower. Corrosion-protected lock case in DIN dimensions, complete with forend and strike plate in stainless steel, included in delivery. Power input: max. 0.4 A, maximum load current 30 V DC, 100 mA.

SVP 67xx/68xx

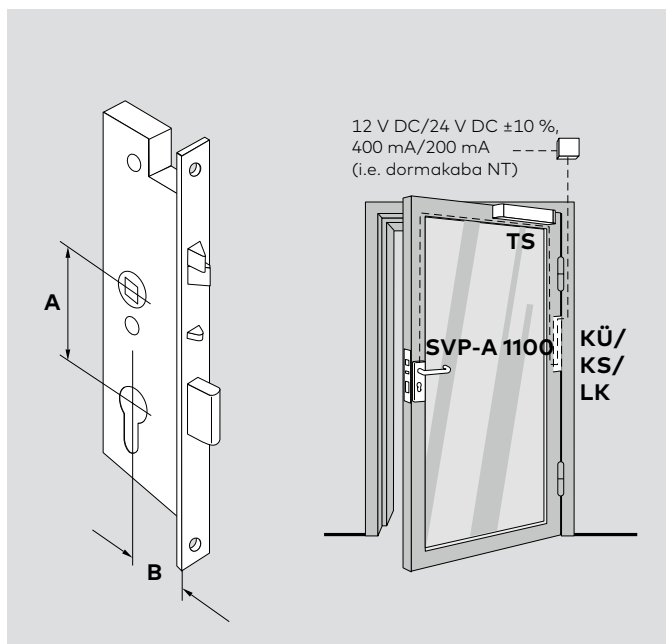
SVP 6000 version for narrow stile doors. Operating current version or closed-circuit current version. Connection universal to 12 V DC/24 V DC (stabilised) without previous change-over. Certified in accordance with EN 179 and EN 1125 for use with panic door fittings and EN 14846.

SVP 62xx/63xx

SVP 6000 version for wide stile doors. Operating or closed-circuit operation universally adjustable at the lock. Connection universal to 12 V DC/24 V DC (stabilised) without previous change-over. Certified in accordance with EN 179 and EN 1125 for use with panic door fittings and certified according to EN 14846, featuring standards as eg durability, fire/smoke resistance, corrosion and temperature resistance and security level.



SVP 62xx/SVP 63xx



SVP 67xx/SVP 68xx

Installation:

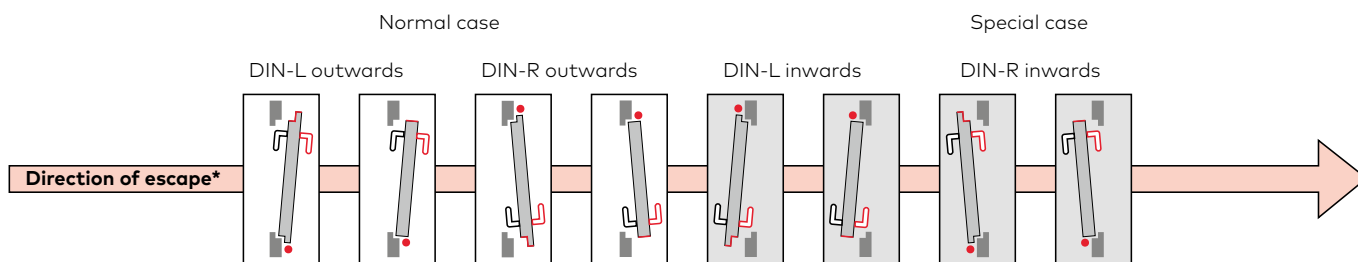
- PC pierced
- RC pierced
- Rebated door (forend 235 x 20 mm, angled strike plate)
- Non-rebated door (forend 235 x 24 mm, lipped strike plate)
- Narrow stile door (forend 270 x 24 mm, lipped strike plate)
 - Distance _____ mm
 - Backset _____ mm
 - Direction of opening _____
 - DIN _____
- Closed-circuit current (only with the narrow stile door, wide stile door variant is adjustable)
- Operating current (only with the narrow stile door, wide stile door variant is adjustable)

Required accessories

- (to be ordered separately):
- dormakaba SVP-A connection cable
 - dormakaba cable transition/cable loop
 - dormakaba NT power supply unit

Other accessories

see pages 46–51



- Lever handle permanently engaged in the direction of escape
 - Lever handle can be electrically engaged against the direction of escape
- *Can always be opened in the direction of escape

Wiring layout

SVP-A cable colours	SVP 6xxx function
sw = black	GND
br = brown	"Trigger engaged", NC
rs/gr = pink/grey	"SVP unlocked", NO
rt = red	Lever handle engaged via GND contact Operating current = NO/Closed-circuit current = NC
ws = white	+12 V DC or +24 V DC (stabilised)
ge = yellow	"SVP unlocked" and "Trigger engaged" and cylinder actuated/lock open, C
gn = green	Cylinder actuated, NO
gr = grey	Sabotage line
rs = pink	Sabotage line
rt/bl = red/blue	"SVP locked", NC
bl = blue	"Handle operated", NO
vi = purple	"SVP locked" and "Handle operated", C

SVP 6000 – switch-monitored panic lock with automatic locking action

SVP 6xxx for wide stile doors								
Lock cylinder	Door type	Distance A	Backset B	Opening	DIN	Type	Article no.	
PC	Non-rebated door Forend: 235 x 20 (for France only)	70	50	Outwards	L	SVP 6241	70624100	
					R	SVP 6242	70624200	
				Inwards	L	SVP 6243	70624300	
					R	SVP 6244	70624400	
	Non-rebated door Forend: 235 x 24 (for France only)	70	50	Outwards/inwards	L/R	SVP 6247	70624700	
				Inwards/outwards	L/R	SVP 6248	70624800	
	Rebated door Forend: 235 x 20	72	55	Outwards	L	SVP6251	70625100	
					R	SVP6252	70625200	
				Inwards	L	SVP6253	70625300	
					R	SVP6254	70625400	
				60	Outwards	L	SVP6261	70626100
						R	SVP6262	70626200
	Inwards	L	SVP6263	70626300				
		R	SVP6264	70626400				
	65	Outwards	L	SVP6271	70627100			
			R	SVP6272	70627200			
			Inwards	L	SVP6273	70627300		
	R	SVP6274		70627400				
	80	Outwards	L	SVP 6281	70628100			
			R	SVP 6282	70628200			
			Inwards	L	SVP 6283	70628300		
	R	SVP 6284		70628400				
	100	Outwards	L	SVP 6291	70629100			
			R	SVP 6292	70629200			
Inwards			L	SVP 6293	70629300			
			R	SVP 6294	70629400			
Non-rebated door Forend: 235 x 24	72	55	Outwards/inwards	L/R	SVP6257	70625700		
			Inwards/outwards	L/R	SVP6258	70625800		
	60	Outwards/inwards	L/R	SVP6267	70626700			
			Inwards/outwards	L/R	SVP6268	70626800		
	65	Outwards/inwards	L/R	SVP6277	70627700			
			Inwards/outwards	L/R	SVP6278	70627800		
	80	Outwards/inwards	L/R	SVP6287	70628700			
			Inwards/outwards	L/R	SVP6288	70628800		
	100	Outwards/inwards	L/R	SVP6297	70629700			
			Inwards/outwards	L/R	SVP6298	70629800		

All versions for 12 V/24 V DC
operating current/closed-circuit current

SVP 6xxx for wide stile doors							
Lock cylinder	Door type	Distance A	Backset B	Opening	DIN	Type	Article no.
RC	Rebated door Forend: 235 x 20	74	60	Outwards	L	SVP6361	70636100
					R	SVP6362	70636200
				Inwards	L	SVP6363	70636300
					R	SVP6364	70636400
			65	Outwards	L	SVP6371	70637100
					R	SVP6372	70637200
				Inwards	L	SVP6373	70637300
					R	SVP6374	70637400
			80	Outwards	L	SVP 6381	70638100
					R	SVP 6382	70638200
	Inwards	L		SVP 6383	70638300		
		R		SVP 6384	70638400		
	100	Outwards	L	SVP 6391	70639100		
			R	SVP 6392	70639200		
		Inwards	L	SVP 6393	70639300		
			R	SVP 6394	70639400		
	Non-rebated door Forend: 235 x 24	60	Outwards/inwards	L/R	SVP6367	70636700	
				L/R	SVP6368	70636800	
		65	Outwards/inwards	L/R	SVP6377	70637700	
				L/R	SVP6378	70637800	
80		Outwards/inwards	L/R	SVP6387	70638700		
			L/R	SVP6388	70638800		
100		Outwards/inwards	L/R	SVP6397	70639700		
			L/R	SVP6398	70639800		

All versions for 12 V/24 V DC
operating current/closed-circuit current

SVP 6xxx for narrow stile doors									
Lock cylinder	Door type	Distance A	Backset B	DIN	Type	Article no.			
PC	Narrow stile door Forend: 270 x 24	92	35	DIN-R outwards	SVP6710	706710xx			
				DIN-L outwards	SVP6719	706719xx			
			40	DIN-R outwards	SVP6720	706720xx			
				DIN-L outwards	SVP6729	706729xx			
			45	DIN-R outwards	SVP6730	706730xx			
				DIN-L outwards	SVP6739	706739xx			
			RC		94	35	DIN-R outwards	SVP6810	706810xx
							DIN-L outwards	SVP6819	706819xx
						40	DIN-R outwards	SVP6820	706820xx
							DIN-L outwards	SVP6829	706829xx
45	DIN-R outwards	SVP6830				706830xx			
	DIN-L outwards	SVP6839				706839xx			

All dimension data in millimetres (mm)

PC European profile cylinder

RC Profile round cylinder

xx

00 - Operating current version

50 - Closed-circuit current version

Note:

In the variant with a 24 mm forend, the locks for DIN-L inwards/
DIN-R outwards or DIN-R inwards/DIN-L outwards are identical.

SVZ 6000 - Automatically locking access control lock

SVZ 6xxx **F**

Access control lock with automatic locking action, electrically monitored, with single follower, electrically-activated outside lever handle in operating current version or closed-circuit current version, and mechanical sequential control. With status monitoring for detecting "locked" (> 90%), "unlocked" (< 10% of the latch bolt path), "door open/closed" (via trigger) as well as "handle operation/emergency unlocking" and "cylinder contact". When there is no power, the lever handles are disengaged (operating current) or engaged (closed-circuit current). By means of actuating the solenoid in the lock (e.g. via the access control system) the lever handles can be engaged or disengaged. Activation of the lever handle is effected via a GND contact by means of a potential-free NO (operating current) or NC (short-circuit current). PERMANENTLY OPEN mode possible (permanent engagement of lever handle, e.g. for daytime operation). Connection universal to 12V DC/24V DC, power input: max. 0.4 A, maximum load current 30 V DC, 100 mA. Two-point locking activated by pre-loaded spring when door closes. Non-handed trigger (24 mm forend versions can be used DIN L/R). Unlocking with a key or lever handle (lever handle can be engaged). Steel bolt, projection 20 mm. 9 mm square follower. Corrosion-protected lock case in DIN dimensions, complete

with forend and strike plate in stainless steel, included in delivery.

Installation:

- PC pierced
- RC pierced
- Rebated door (forend 235 x 20 mm, angled strike plate)
- Non-rebated door (forend 235 x 24 mm, lipped strike plate)
- Narrow stile door (forend 270 x 24 mm, lipped strike plate)
- Distance _____ mm
- Backset _____ mm
- Direction of opening _____
- DIN _____
- Closed-circuit current (only with the narrow stile door, wide stile door variant is adjustable)
- Operating current (only with the narrow stile door, wide stile door variant is adjustable)

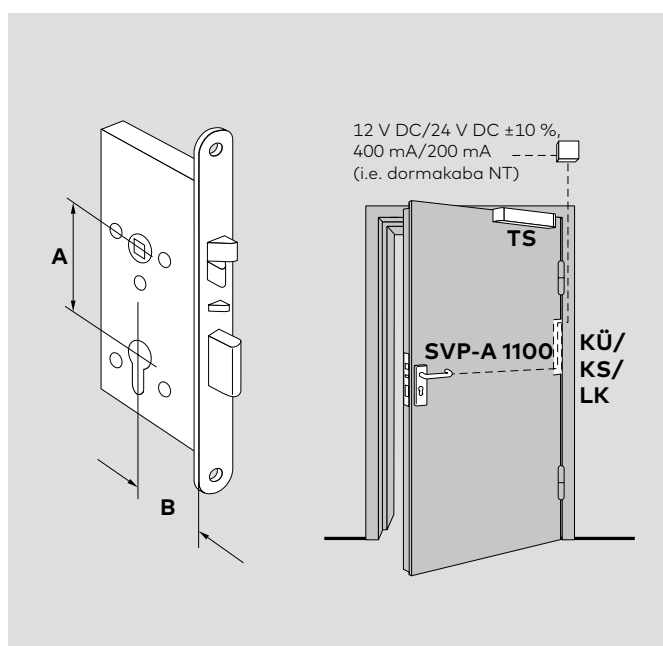
Required accessories

(to be ordered separately):

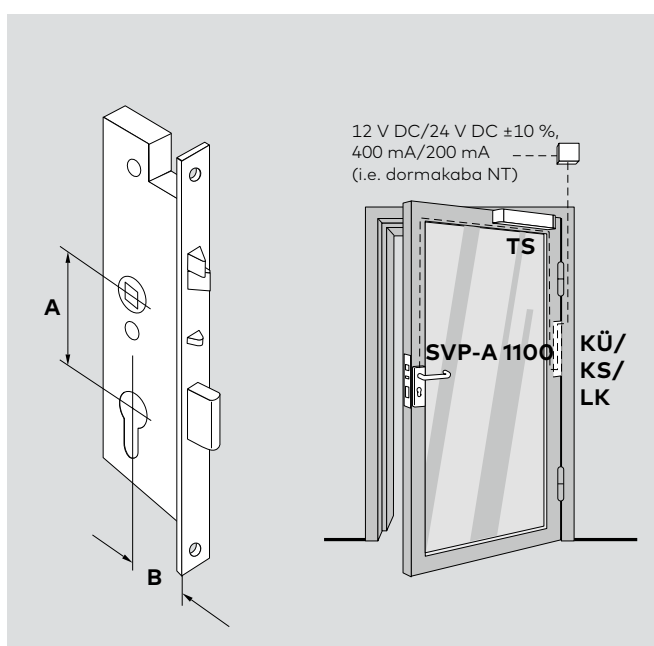
- dormakaba SVP-A connection cable
- dormakaba cable transition/cable loop
- dormakaba NT power supply unit

Other accessories

see pages 46–51



SVZ 62xx/SVZ 63xx



SVZ 67xx/SVZ 68xx

KÜ Cable transition **KS** Cable loop **NT** Power supply unit **LK** detachable cable transfer **A** Distance **B** Backset

SVZ 6xxx for wide stile doors							
Lock cylinder	Door type	Distance A	Backset B	DIN	Type	Article no.	
PC	Non-rebated door Forend: 235 x 20 (for France only)	70	50	L	SVZ 6241	70624110	
				R	SVZ 6242	70624210	
	Non-rebated door Forend: 235 x 24 (for France only)	70	50	L/R	SVZ 6247	70624810	
				Rebated door Forend: 235 x 20	72	55	L
	R	SVZ6252	70625210				
	60	L	SVZ6261				70626110
	R	SVZ6262	70626210				
	65	L	SVZ6271			70627110	
	R	SVZ6272	70627210				
	Non-rebated door Forend: 235 x 24	72	55	L/R	SVZ6257/6258	70625810	
				60	L/R	SVZ6267/6268	70626810
				65	L/R	SVZ6277/6278	70627810
	RC	Rebated door Forend: 235 x 20	74	60	L	SVZ6361	70636110
					R	SVZ6362	70636210
65		L		SVZ6371	70637110		
		R		SVZ6372	70637210		
Non-rebated door Forend: 235 x 24		60		L/R	SVZ6367/6368	70636810	
				65	L/R	SVZ6377/6378	70637810

All versions for +12 V/24 V DC
Operating current/closed-circuit current

SVZ 6xxx for narrow stile doors						
Lock cylinder	Door type	Distance A	Backset B	DIN	Type	Article no.
PC	Narrow stile door Forend: 270 x 24	92	35	Universal	SVZ6719	706719xx
				Universal	SVZ6729	706729xx
				Universal	SVZ6739	706739xx
RC		94	35	Universal	SVZ6819	706819xx
				Universal	SVZ6829	706829xx
				Universal	SVZ6839	706839xx

All dimension data in millimetres (mm)

PC European profile cylinder

RC Profile round cylinder

xx

10 - Operating current version

60 - Closed-circuit current version

Note:

In the variant with a 24 mm forend, the locks for DIN-L inwards/DIN-R outwards or DIN-R inwards/DIN-L outwards are identical.

Wiring layout

SVP-A cable colours

SVZ 6xxx function

sw = black

GND

br = brown

"Trigger engaged", NC

rs/gr = pink/grey

"SVP unlocked", NO

rt = red

Lever handle engaged via GND contact
Operating current = NO/Closed-circuit current = NC

ws = white

+12 V DC or +24 V DC (stabilised)

ge = yellow

"SVP unlocked" and "Trigger engaged" and cylinder actuated/lock open, C

gn = green

Cylinder actuated, NO

gr = grey

Sabotage line

rs = pink

Sabotage line

rt/bl = red/blue

"SVP locked", NC

bl = blue

"Handle operated", NO

vi = purple

"SVP locked" and "Handle operated", C

SVP 7000 Air – The battery-operated panic lock with automatic locking action

SVP 7xxx Air

Panic lock with automatic locking action for wide stile doors, battery-operated, with split follower and outside handle that can be electrically activated. Operating current. The outside lever handle can be engaged or disengaged via the transfer box SVP-S AIR (integrated in the existing access control system) or the SVP-AIR hand-held transmitter. The lever handle is always engaged in the direction of escape. No wiring of the door required. Short-term unlocking or permanently open modes possible (permanent engagement of outside handle). Programming of up to 99 authorisations. Can change the battery without having to dismantle the lock, secured by the lock cylinder. Steel latch bolt 20 mm projection; 9 mm square-section follower. Corrosion-protected lock case in DIN dimensions, complete with forend and strike plate in stainless steel, included in delivery. Certified in accordance with EN 179, EN 1125

Installation:

- PC pierced
- RC pierced
- Rebated door
(forend 235 x 20 mm,
angled strike plate)
- Non-rebated door
(forend 235 x 24 mm,
lipped strike plate)

Distance _____ mm

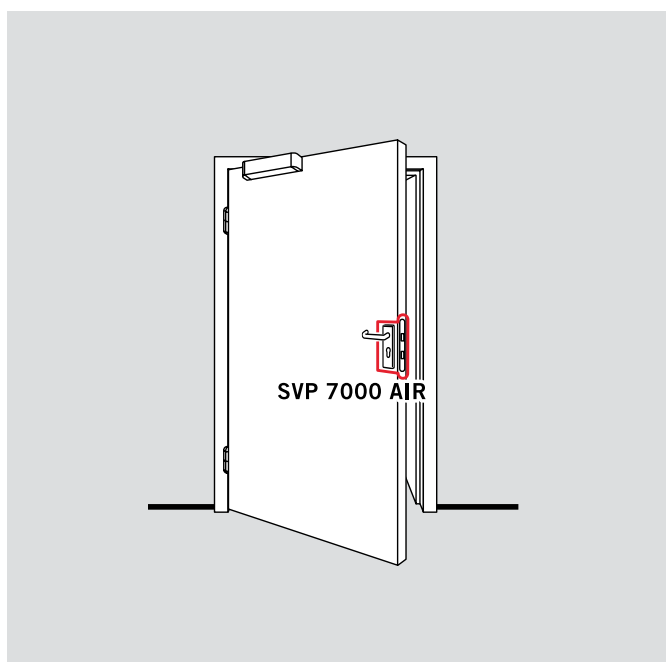
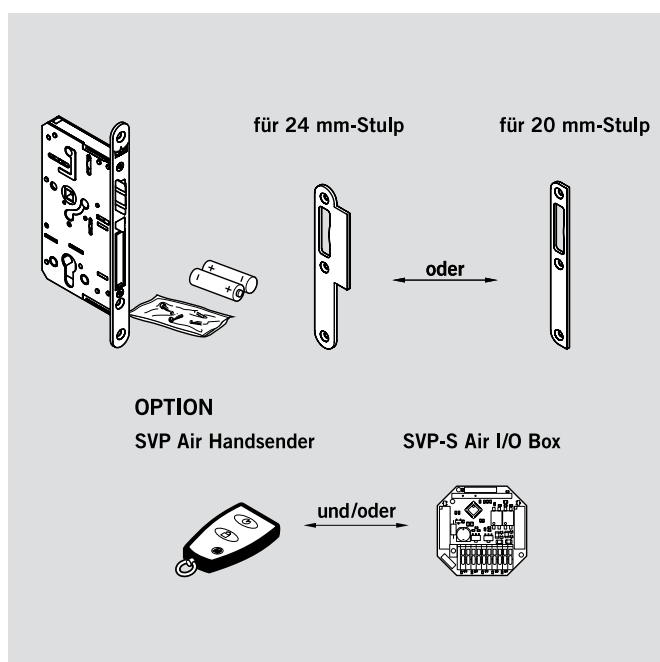
Backset _____ mm

DIN _____

Optional accessories

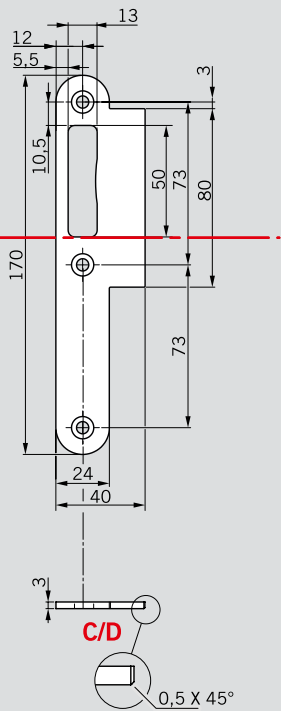
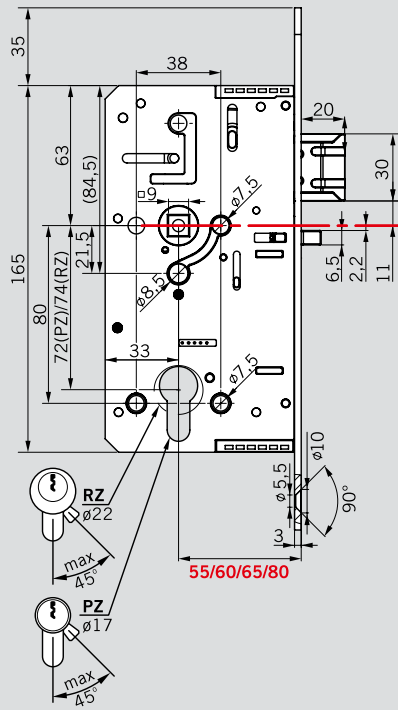
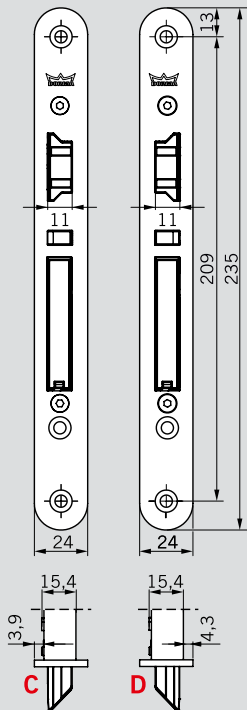
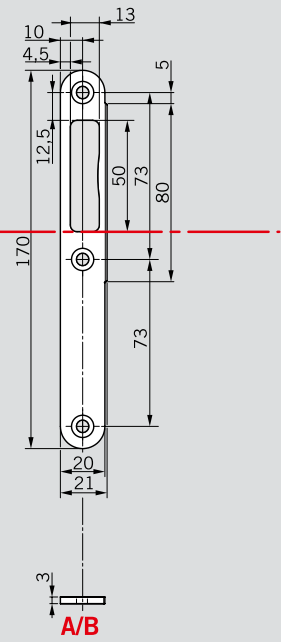
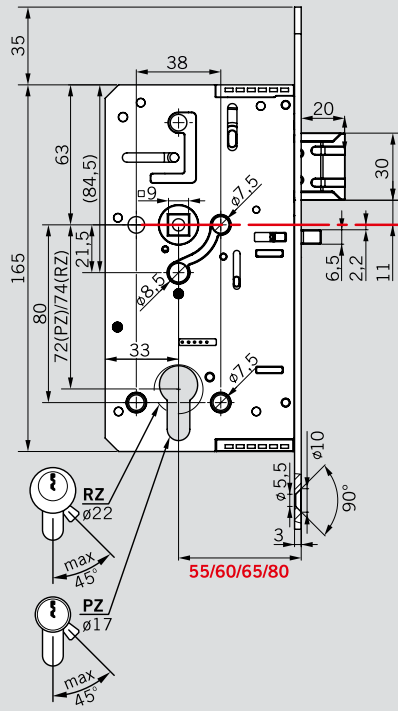
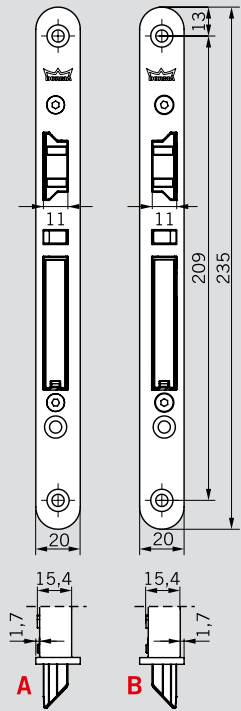
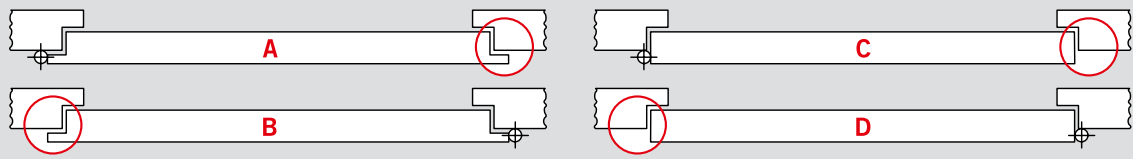
(to be ordered separately):

- SVP-S Air universal transfer box
- SVP hand-held transmitter



SVP 7xxx Air

KÜ Cable transition KS Cable loop



SVP 7000 Air for wide stile doors								
Lock cylinder	Door type	Distance A	Backset B	DIN	Type	Mechanical stop side	Article no.	
PC	Rebated door Forend: 235 x 20	72	55	L	SVP7251 Air	outward opening	70725100	
				R	SVP7252 Air	outward opening	70725200	
				L	SVP7253 Air	inward opening	70725300	
				R	SVP7254 Air	inward opening	70725400	
	60	L	SVP7261 Air	outward opening	70726100			
		R	SVP7262 Air	outward opening	70726200			
		L	SVP7263 Air	inward opening	70726300			
		R	SVP7264 Air	inward opening	70626400			
	65	L	SVP7271 Air	outward opening	70727100			
		R	SVP7272 Air	outward opening	70727200			
		L	SVP7273 Air	inward opening	70727300			
		R	SVP7274 Air	inward opening	70727400			
	80	L	SVP7281 Air	outward opening	70728100			
		R	SVP7282 Air	outward opening	70728200			
		L	SVP7283 Air	inward opening	70728300			
		R	SVP7284 Air	inward opening	70728400			
	Non-rebated door Forend: 235 x 24	55	L	SVP7255 Air	inward opening	70725500		
			R	SVP7256 Air	inward opening	70725600		
			L	SVP7257 Air	outward opening	70725700		
			R	SVP7258 Air	outward opening	70725800		
60		L	SVP7265 Air	inward opening	70726500			
		R	SVP7266 Air	inward opening	70726600			
		L	SVP7267 Air	outward opening	70726700			
		R	SVP7268 Air	outward opening	70726800			
65		L	SVP7275 Air	inward opening	70727500			
		R	SVP7276 Air	inward opening	70727600			
		L	SVP7277 Air	outward opening	70727700			
		R	SVP7278 Air	outward opening	70727800			
80		L	SVP7285 Air	inward opening	70728500			
		R	SVP7286 Air	inward opening	70728600			
		L	SVP7287 Air	outward opening	70728800			
		R	SVP7288 Air	outward opening	70728800			
RC		Rebated door Forend: 235 x 20	74	60	L	SVP7361 Air	outward opening	70736100
					R	SVP7362 Air	outward opening	70736200

SVP 7000 Air for wide stile doors							
Lock cylinder	Door type	Distance A	Backset B	DIN	Type	Mechanical stop side	Article no.
				L	SVP7363 Air	inward opening	70736300
				R	SVP7364 Air	inward opening	70736400
		65		L	SVP7371 Air	outward opening	70737100
				R	SVP7372 Air	outward opening	70737200
				L	SVP7373 Air	inward opening	70737300
				R	SVP7374 Air	inward opening	70737400
		80		L	SVP7381 Air	outward opening	70738100
				R	SVP7382 Air	outward opening	70738200
				L	SVP7383 Air	inward opening	70738300
				R	SVP7384 Air	inward opening	70738400
	Non-rebated door	60		L	SVP7365 Air	inward opening	70736500
	Forend: 235 x 24			R	SVP7366 Air	inward opening	70736600
				L	SVP7367 Air	outward opening	70736700
				R	SVP7368 Air	outward opening	70736800
		65		L	SVP7375 Air	inward opening	70737500
				R	SVP7376 Air	inward opening	70737600
				L	SVP7377 Air	outward opening	70737700
				R	SVP7378 Air	outward opening	70737800
		80		L	SVP7385 Air	inward opening	70738500
				R	SVP7386 Air	inward opening	70738600
				L	SVP7387 Air	outward opening	70738700
				R	SVP7388 Air	outward opening	70738800

All dimension data in millimetres (mm)

PC European profile cylinder

RC Profile round cylinder

L DIN-L

R DIN-R

SVP 2000 DCW® – panic motor lock with automatic locking action

SVP 2xxx DCW®

Motorised panic lock with automatic locking action and electronic sequential control. Possible operating modes: direct by pulse activation, with external control unit SVP-S 3x and SVP-S 4x (for full functionality) or via DCW® bus or CAN bus to TMS, Saferoute and/or ED 100/250, visual signaling through integrated LED for the lock parameters and failure status. LED status display indicates error messages, such as incorrect operating voltage or BUS connection interrupted and more! With status monitoring for detecting "locked" (> 90%), "unlocked" (< 10% of the latch bolt path), "door open/closed" (via trigger) as well as "handle operation/emergency unlocking" and "cylinder contact". Two-point locking activated by pre-loaded spring when door closes. Universal trip latch (24 mm forend versions can be used LH or RH). Emergency unlocking using lever handle in accordance with EN 179 or panic bar in accordance with EN 1125, as well as a transmission function for unlocking from the outside using keys. Steel latch bolt 20 mm projection, 9 mm square-section follower. Corrosion-protected lock case in DIN dimensions, complete with forend and strike plate in stainless steel, included in delivery. Connection to 24 V.

Version

- PC pierced
- RC pierced
- Rebated door
(forend 235 x 20 mm,
angled strike plate)
- Non-rebated door
(forend 235 x 24 mm,
lipped strike plate)
- Narrow stile door
(forend 270 x 24 mm,
lipped strike plate)

Distance _____ mm
Backset _____ mm
DIN _____

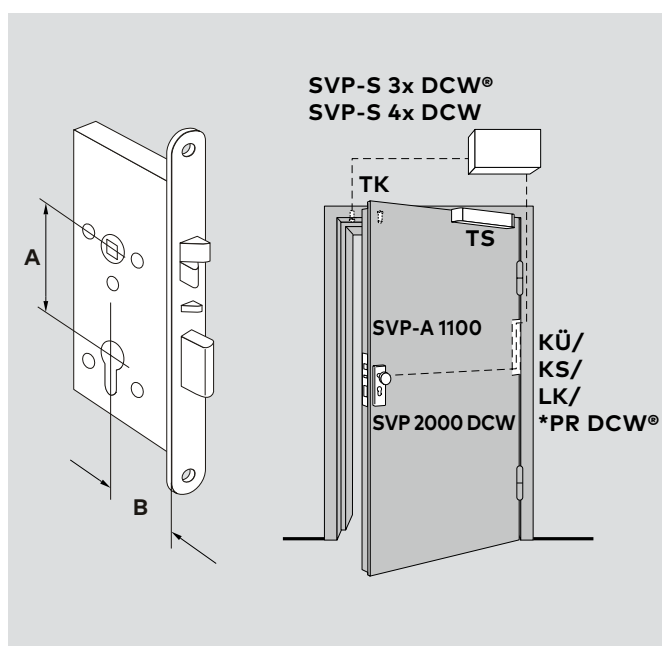
Required accessories

(to be ordered separately):

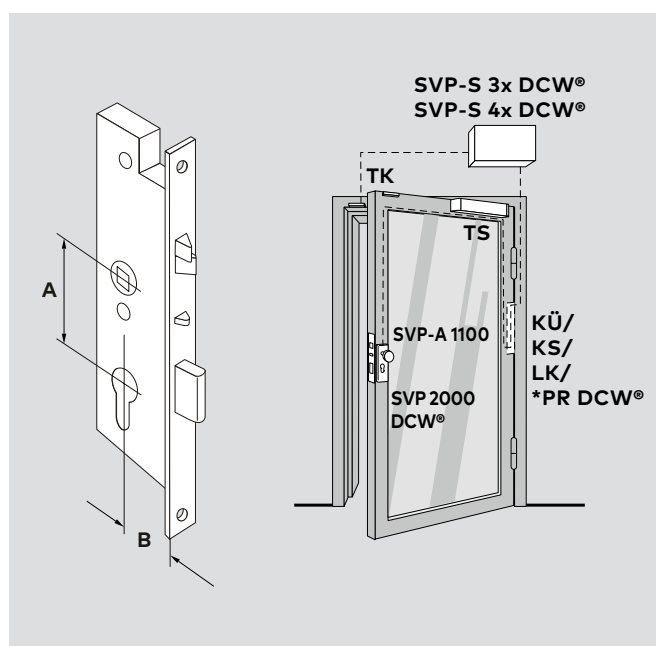
- dormakaba SVP-S3x/S4x DCW® motor lock control unit when feedback contacts are needed
- dormakaba SVP-A connection cable
- dormakaba cable transition/cable loop
- dormakaba TK Reed door contact
- dormakaba SVP-PR DCW® for fire doors

Other accessories

see pages 46–51



SVP 22xx/SVP 23xx



SVP 27xx/SVP 28xx

KÜ Cable transition **KS** Cable loop **LK** detachable cable transfer **PR** Power reserve module
*For fire and smoke doors **A** Distance **B** Backset

SVP 2xxx DCW® for wide stile doors									
Lock cylinder	Door type	Distance A	Backset B	DIN	Type	Article no.			
PC	Rebated door Forend: 235 x 20	72	55	L	SVP 2251	70225100			
				R	SVP 2252	70225200			
			60	L	SVP 2261	70226100			
				R	SVP 2262	70226200			
			65	L	SVP 2271	70227100			
				R	SVP 2272	70227200			
			80	L	SVP 2281	70228100			
				R	SVP 2282	70228200			
	100	L	SVP 2291	70229100					
		R	SVP 2292	70229200					
	Non-rebated door Forend: 235 x 24	74	55	L/R	SVP 2257/2258	70225700			
				60	L/R	SVP 2267/2268	70226700		
				65	L/R	SVP 2277/2278	70227700		
				80	80	SVP 2287	70228700		
				100	100	SVP 2297	70229700		
RC	Rebated door Forend: 235 x 20	74	60	L	SVP 2361	70236100			
				R	SVP 2362	70236200			
			65	L	SVP 2371	70237100			
				R	SVP 2372	70237200			
			80	L	SVP 2381	70238100			
				R	SVP 2382	70238200			
			100	L	SVP 2391	70239100			
				R	SVP 2392	70239200			
	Non-rebated door Forend: 235 x 24	74	60	L/R	SVP 2367/2368	70236700			
				65	L/R	SVP 2377/2378	70237700		
				80	L/R	SVP 2387	70238700		
				100	L/R	SVP 2397	70239700		
	SVP 2xxx DCW® for narrow stile doors								
	Lock cylinder	Door type	Distance A	Backset B	DIN	Type	Article no.		
PC	Narrow stile door Forend: 270 x 24	92	35	Universal	SVP 2719	70271900			
			40	Universal	SVP 2729	70272900			
			45	Universal	SVP 2739	70273900			
RC	Narrow stile door Forend: 270 x 24	94	35	Universal	SVP 2819	70281900			
			40	Universal	SVP 2829	70282900			
			45	Universal	SVP 2839	70283900			

All dimension data in millimetres (mm)

PC European profile cylinder

RC Profile round cylinder

SVP 2000 DCW® F – Panic motor lock with automatic locking action and integrated power reserve module for fire and smoke doors

SVP 2xxx DCW® F

Panic motor lock with automatic locking action and mechanical and electronic sequential control. **Suitable for fire and smoke doors through an integrated PR module, without a permanently open function.** Possible operating modes: direct by analog activation, with external control unit SVP-S 3x DCW® (Switzerland) and SVP-S 4x DCW® (stand-alone with full functionality) or via DCW® bus or CAN bus to TMS, Saferoute and/or ED. LED status display indicates error messages, such as incorrect operating voltage or BUS connection interrupted and more! Duisburg function: compatible with all kinds of cylinders, even electronic and free wheel cam cylinders. With status monitoring for detecting "locked" (> 90%), "unlocked" (< 10% of the latch bolt path), "door open/closed" (via trigger) as well as "handle operation/emergency unlocking" and "cylinder contact". Two-point locking activated by pre-loaded spring when door closes. Non-handed trigger (24 mm forend versions can be used DIN L/R). Emergency unlocking using lever handle in accordance with EN 179 or panic bar in accordance with EN 1125, as well as a transmission function for unlocking from the outside using keys. Steel deadbolt 20 mm projection, 9 mm square-section follower. Corrosion-protected lock case in DIN dimensions, complete with forend and strike plate in stainless steel, included in

delivery. Connection to 24 V. Uniform connection using the SVP-A 1100 connection cable (to be ordered separately).

Installation:

- PC pierced
- RC pierced
- Rebated door
(forend 235 x 20 mm, angled strike plate)
- Non-rebated door
(forend 235 x 24 mm, lipped strike plate)
- Narrow stile door
(forend 270 x 24 mm, lipped strike plate)

Distance _____ mm

Backset _____ mm

DIN _____

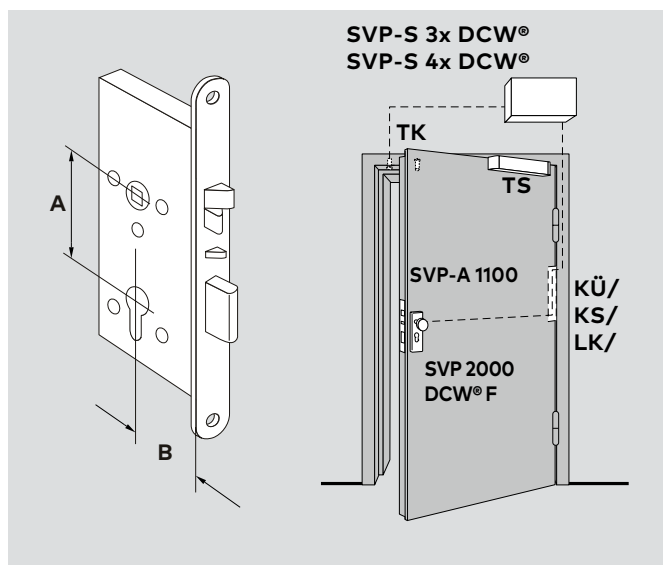
Required accessories

(to be ordered separately):

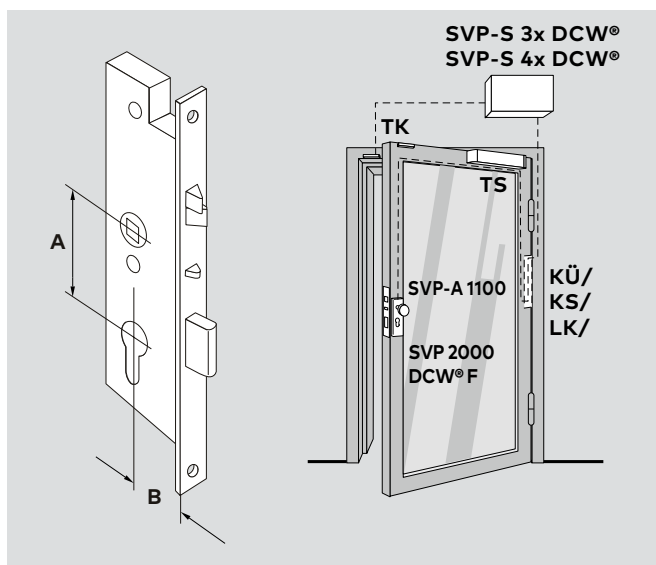
- dormakaba SVP-S3x (Switzerland)/S4x DCW® motor lock control unit
- dormakaba SVP-A connection cable
- dormakaba cable transition/cable loop
- dormakaba TK Reed door contact

Other accessories

see pages 46–51



SVP 22xx/SVP 23xx



SVP 27xx/SVP 28xx

Cable transition Cable loop LK detachable cable transfer PR Power reserve module *For fire and smoke doors A Distance B Backset

SVP 2xxx DCW® for wide stile doors

Lock cylinder	Door type	Distance A	Backset B	DIN	Type	Article no.	
PC	Rebated door Forend: 235 x 20	72	55	L	SVP 2251 F	70225120	
				R	SVP 2252 F	70225220	
			60	L	SVP 2261 F	70226120	
				R	SVP 2262 F	70226220	
			65	L	SVP 2271 F	70227120	
				R	SVP 2272 F	70227220	
	80	L	SVP 2281 F	70228120			
		R	SVP 2282 F	70228220			
	Non-rebated door Forend: 235 x 24	74	55	L/R	SVP 2257 F	70225720	
				60	L/R	SVP 2267 F	70226720
			65	L/R	SVP 2277 F	70227720	
			80	L/R	SVP 2287 F	70228720	
			100	L/R	SVP 2297 F	70229720	
			RC	Rebated door Forend: 235 x 20	74	60	L
	R	SVP 2362 F	70236220				
	65	L	SVP 2371 F			70237120	
		R	SVP 2372 F			70237220	
	80	L	SVP 2381 F			70238120	
R		SVP 2382 F	70238220				
100	L	SVP 2391 F	70239120				
	R	SVP 2392 F	70239220				
Non-rebated door Forend: 235 x 24	74	60	L/R			SVP 2367 F	70236720
			65			L/R	SVP 2377 F
		80	L/R			SVP 2387 F	70238720
		100	L/R			SVP 2397 F	70239720

SVP 2xxx DCW® F for narrow stile doors in fire/smoke doors

Lock cylinder	Door type	Distance A	Backset B	DIN	Type	Article no.
PC	Narrow stile door Forend: 270 x 24	92	35	Universal	SVP 2719 F	70271920
			40	Universal	SVP 2729 F	70272920
			45	Universal	SVP 2739 F	70273920
RC	Narrow stile door Forend: 270 x 24	94	35	Universal	SVP 2819 F	70281920
			40	Universal	SVP 2829 F	70282920
			45	Universal	SVP 2839 F	70283920

All dimension data in millimetres (mm)

PC European profile cylinder**RC** Profile round cylinder**F** integrated Power reserve module

M-SVP – Multipoint panic lock

The substantial benefits of the M-SVP multipoint panic locks with automatic locking action include: automatic locking of doors immediately after every closure and heightened burglar resistance.

The 3-point locking devices with rotating bolts or latch bolts and the 20 mm protrusion main bolt lock the door in an insurance-compliant manner and provide heightened burglar resistance.

The panic function of the M-SVP locks ensures that the door can be opened at any time from the inside, in the direction of escape, simply by operating the handle. Apart from the motorised opening of doors via access control systems (RFID key, transponders, etc.), mechanical unlocking from the outside is possible at any time.

The programme includes 5 model series:

M-SVP 5000

Purely mechanical multipoint lock with panic function and automatic locking action

M-SVP 3000

Electromechanical multipoint lock with panic function, automatic locking mechanism and motorised unlocking.

M-SVP 2200 DCW®

Multipoint motor lock with panic function, motorised locking and unlocking as well as integrated DCW® interface

M-SVP 5500

Mechanical multipoint lock for double-leaf panic doors with automatic locking action

M-SVP 3500

Electromechanical multipoint lock for double-leaf panic doors with automatic locking action and motorised unlocking

Benefits – point by point

- Automatic and immediate locking of doors after each closure.
- Insurance-compliant locking through 20 mm deadbolt projection, additional protection through rotating bolt or deadbolt at the top and bottom
- Enhanced burglar resistance through multipoint lock
- Thanks to the panic function, the door can be opened in the direction of escape at any time using the lever handle
- Can be used on wide and narrow stile doors, for profile and profile round cylinders
- Profile-related supply packages
- Integration in access control and TMS systems possible (not M-SVP 5000)
- Approved for use in emergency exits and escape routes, suitable for fire doors
- If there is a power failure, the door can still be locked and unlocked from the inside and the outside with the key

F Verification of suitability

The M-SVP locks with automatic locking function are tested and quality-monitored by the notified body MPA in Dortmund.

An approval or verification of suitability in conjunction with the respective fire and smoke door may be required.



The M-SVP locks are certified in conjunction with lever handles and panic bars from various manufacturers in accordance with EN 179 "Emergency exit devices operated by a lever handle or push pad" and EN 1125 "Panic exit devices operated by a horizontal bar", and therefore carry the conformity mark CE .

M-SVP – features and functions

	M-SVP 5000	M-SVP 3000	M-SVP 2200 DCW®	M-SVP 5500	M-SVP 3500
3-point locking	●	●	●	●	●
Rotating bolts and sliding bolts	–	–	●	–	–
Latch bolts	●	●	–	●	●
Motorised automatic locking action	–	–	●	–	–
Mechanical locking	●	●	–	●	●
Motorised unlocking via access control	–	●	●	–	●
Mechanical unlocking via the lever handle (panic function)	●	●	●	●	●
Mechanical unlocking via profile cylinder	●	●	●	●	●
Suitable for electronic cylinders	●	●	●	●	●
Free wheel cam cylinders (forced disengagement required)	–	–	●	–	–
Integration in access control systems	–	●	●	–	●
Permanent door release (lock latch and all deadbolts retracted)	–	●	●	–	●
Day latch function (deadbolt retracted, lock latch deployed)	–	–	●	–	–
Message "Door open/closed"	–	●	●	–	●
Message "Door locked/unlocked"	–	–	●	–	–
Message "Handle operation/panic function"	–	–	●	–	–
DCW® interface, can be directly integrated in dormakaba TMS and ED	–	–	●	–	–
Adjustment range Relocking time via parameterisation software TMS Soft	–	–	●	–	–
Automatic reset of the enabling when the door fails to open	–	●	●	–	●
Approval in accordance with DIN EN 179	●	●	●	●	●
Approval in accordance with DIN EN 1125	●	●	●	●	●
Approved for fire and smoke doors	●	●	●	●	–
Suitability for double-leaf escape route doors	–	–	–	●	●

● yes – no

Profile-related article overview

Manufacturer	Profile	M-SVP 2200 DCW®	M-SVP 3000	M-SVP 5000
Akotherm	AT 600	UF	UF	UF
	AT 720	UF	UF	UF
	AT 730	UF	UF	UF
	AT 740	UF	UF	UF
Alcoa	AA 610	FF	FF	FF
	AA 611	FF	FF	FF
	AA 630	FF	FF	FF
	AA 720	UF	UF	UF
Aliplast	Star 75	UU6	UU6	UU6
	Star 95	UU6	UU6	UU6
ALUPROF	MB-60	UU6	UU6	UU6
	MB-70	UU6	UU6	UU6
	MB-86	UU6	UU6	UU6
Ferro	WICSTYLE 55N	UU6.7	UU6.7	UU6.7
	WICSTYLE 70*	UU6.7	UU6.7	UU6.7
	WICSTYLE 70FP*	UU6.7	UU6.7	UU6.7
Forster	fuego light	UF	UF	UF
	presto 60	UU6, UF	UU6, UF	UU6, UF
	unico	FF ST29	FF ST29	FF ST29
Groke	Groke GT 190	40 UF	40 UF	40 UF
Heroal	Series 20	UF, 40 UF, UF ST24	UF, 40 UF, UF ST24	UF, 40 UF, UF ST24
	Series 25	UF	UF	UF
	Series 65	UU6.7	UU6.7	UU6.7
	Series 90	UU6.7	UU6.7	UU6.7
	Series 110/110 ES	UU6.7	UU6.7	UU6.7
	Series 82/90	UU6	UU6	UU6
	Series D 50 C	UF	UF	UF
	Series D 65	UU6.7	UU6.7	UU6.7
	Series D 72	UU6	UU6	UU6
Hörmann-Alu-minium	TC80	FF, 45 FF	FF, 45 FF	FF, 45 FF
Hueck	1.0	FF, 45 FF	FF, 45 FF	FF, 45 FF
	BSC T30	UU6	UU6	UU6
	Lambda 57 S	UF	UF	UF
	Lambda 65 M	UF	UF	UF
	Lambda 77 L	UF	UF	UF
Jansen	Janisol	FF	FF	FF
	Janisol 2 (T30)*	FF	FF	FF
	Janisol HI	UU6	UU6	UU6
Klauke	Series 77	UF	UF	UF
Reynaers	CS 104	UU6	UU6	UU6
	CS 68 (with support plate article 15200101)	UU6, UU6.7	UU6, UU6.7	UU6, UU6.7
	CS 77	UU6	UU6	UU6
	CS 86	UU6	UU6	UU6
SAPA	Avantis 70	FF	FF	FF
	Avantis 75	FF	FF	FF

Manufacturer	Profile	M-SVP 2200 DCW®	M-SVP 3000	M-SVP 5000
Schüco	ADS 60 HD	UU6	UU6	UU6
	ADS 65 NI.SP	FF ST28		
	ADS 70 HD	UU6	UU6	UU6
	ADS 75 HD	UU6	UU6	UU6
	ADS 80 FR30	FF ST28		
	ADS 90 BR	UU6	UU6	UU6
	Royal S50	UU6	UU6	UU6
	Royal S50N	UU6	UU6	UU6
	Royal S65	UU6	UU6	UU6
	Royal RS65	UU6	UU6	UU6
	Royal S70	UU6	UU6	UU6
	Royal S70N	UU6	UU6	UU6
Sykon	Series 60	UF	UF	UF
	Sykothem 70	UU6.7	UU6.7	UU6.7
	Sykothem 75	UU6.7	UU6.7	UU6.7
	Sykothem 75 Plus	UU6.7	UU6.7	UU6.7
TKI	755	UU6.7	UU6.7	UU6.7
Wicona	FP T30	UU6	UU6	UU6
	WICSTYLE 60N	UU6.7	UU6.7	UU6.7
	WICSTYLE 65	45 FF	45 FF	45 FF
	WICSTYLE 65 evo	FF	FF	FF
	WICSTYLE 65N	FF, 45 FF	FF, 45 FF	FF, 45 FF
	WICSTYLE 70NFP	UU6.7	UU6.7	UU6.7
	WICSTYLE 75 evo **	FF, 45 FF	FF, 45 FF	FF, 45 FF
	WICSTYLE 77	FF, 45 FF	FF, 45 FF	FF, 45 FF
	WICSTYLE 77FP	FF	FF	FF
	WICSTYLE 88	FF	FF	FF

Variants for further profile systems upon request

The specified profiles are recommendations from dormakaba. Please ask your system provider for a binding statement on the usability

*adaptation to the profile may be required

**Tool tip (with 24 mm forend/striking strip mounting profile)

M-SVP 5000 – Multipoint panic lock with automatic locking action

Multipoint panic lock with automatic locking action and latch bolts/main bolts in anti-force-back design. Heightened burglar resistance. Transmission function for unlocking from the outside using a key.

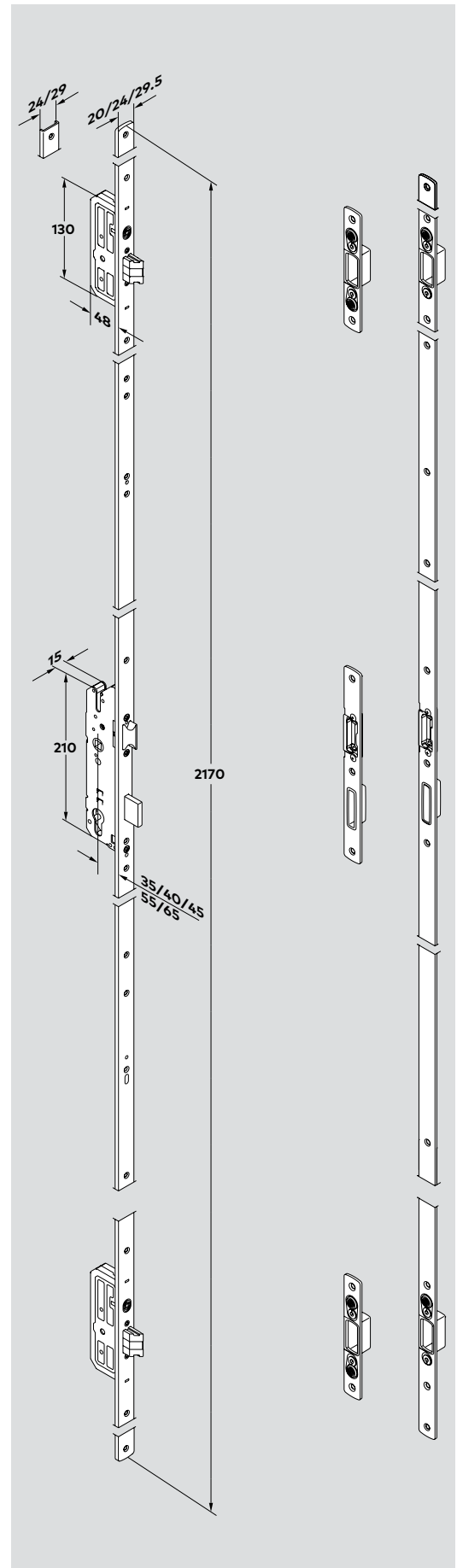
The integrated panic function ensures that the door can be opened in the escape direction at any time simply by using the lever handle.

The automatic locking mechanism is automatically triggered by magnets when the door is closed.

- Steel latch bolts and main locks, 20 mm protrusion
- 9 mm square-section follower
- For use in wooden, PVC and aluminium doors
- Approved in escape route doors in accordance with DIN EN 179 and DIN EN 1125
- Suitable for use in fire and smoke doors

Supply sets consisting of:

- M-SVP 5000 lock
- Striking strip or striking plates and accessories
- Installation manual and milling drawing



Supply sets for steel and aluminium narrow stile doors								
Product description	Forend	Striking strip	Striking plates	Backset	Distance	DIN	Lock cylinder	Article no.
U forend								
M-SVP 5000 UU6	U 6 x 24	U 5.5 x 24		35	92	L	PC	15500001
						R	PC	15500002
					94	L	RC	15500031
						R	RC	15500032
M-SVP 5000 UU6,7	U 6.7 x 24	U 5.5 x 24		35	92	L	PC	15500003
						R	PC	15500004
M-SVP 5000 UF	U 6 x 24	F 3 x 24		35	92	L	PC	15500005
						R	PC	15500006
					94	L	RC	15500035
						R	RC	15500036
M-SVP 5000 40 UF	U 6 x 24	F 3 x 24		40	92	L	PC	15500009
						R	PC	15500010
					94	L	RC	15500039
						R	RC	15500040
M-SVP 5000 UF ST24	U 6 x 24		3 x 24	40	92	L	PC	15500017
						R	PC	15500018
					94	L	RC	15500047
						R	RC	15500048
Flat forend								
M-SVP 5000 FF	F 3 x 24	F 3 x 24		35	92	L	PC	15500007
						R	PC	15500008
					94	L	RC	15500037
						R	RC	15500038
M-SVP 5000 45 FF	F 3 x 24	F 3 x 24		45	92	L	PC	15500011
						R	PC	15500012
M-SVP 5000 FF ST29	F 2.5 x 29.5		2.5 x 29.5	35	92	L	PC	15500019
						R	PC	15500020
					94	L	RC	15500049
						R	RC	15500050

Supply sets for wooden doors								
Product description	Forend	Striking strip	Striking plates	Backset	Distance	DIN	Lock cylinder	Article no.
M-SVP 5000 H 55/92	F 2.7 x 20		8.5 x 20	55	92	L	PC	15500025
						R	PC	15500026
M-SVP 5000 H 65/92	F 2.7 x 20		8.5 x 20	65	92	L	PC	15500027
						R	PC	15500028
M-SVP 5000 H 65/94	F 2.7 x 20		8.5 x 20	65	94	L	RC	15500057
						R	RC	15500058

All dimension data in millimetres (mm)

L = DIN-L R = DIN-R

Please refer to page 30 for the profile-related overview

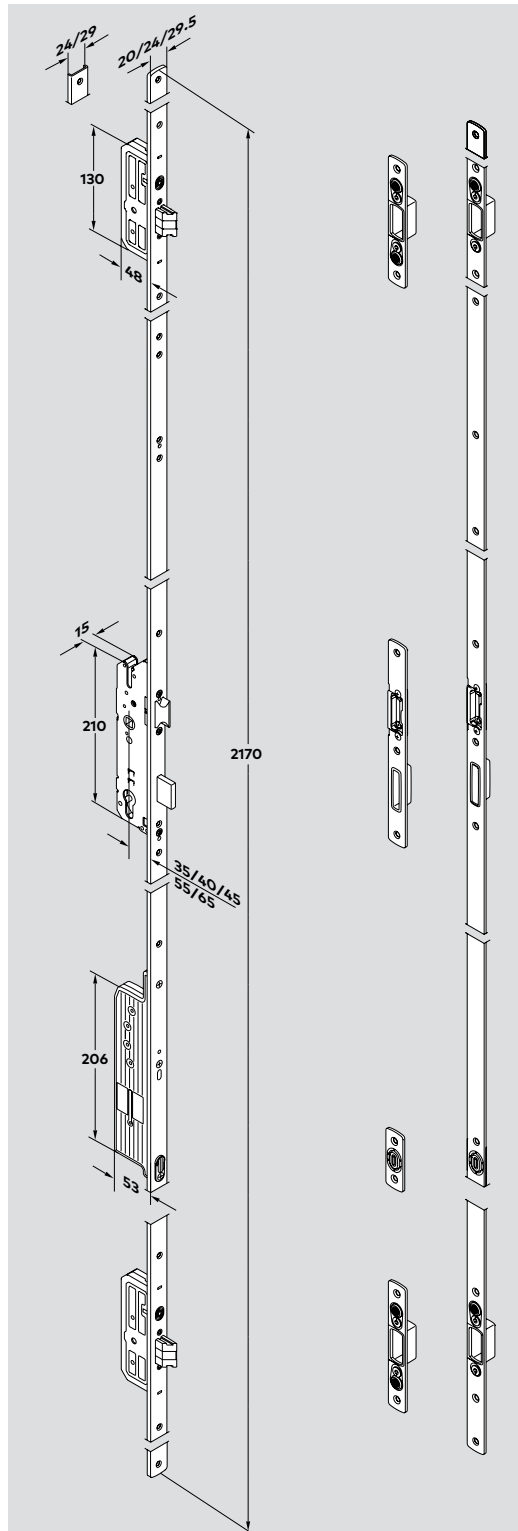
M-SVP 3000 – Electromechanical multipoint panic lock with automatic locking action

Electromechanical multipoint panic lock with automatic locking action and latch bolts and main bolts in anti-force-back design. Heightened burglar resistance.

Motorised unlocking (short-term and permanent unlocking) via access control systems, transmission function for unlocking

from the outside using a key. The integrated panic function ensures that the door can be opened in the escape direction at any time simply by operating the lever handle.

The automatic locking mechanism is automatically triggered by magnets when the door is closed.



- Connection of external access control systems possible
- Designed for use in escape route security systems
- Steel latch bolts and main locks, 20 mm protrusion
- 9 mm square-section follower
- Operating voltage 12 V DC
- For use in wooden, PVC and aluminium doors
- Approved in escape route doors in accordance with DIN EN 179 and DIN EN 1125
- Suitable for use in fire and smoke doors

Supply sets consisting of:

- M-SVP 3000 lock
- Striking strip or striking plates and accessories
- 10 m connection cable
- Installation manual and milling drawing

Required accessories

(to be ordered separately):

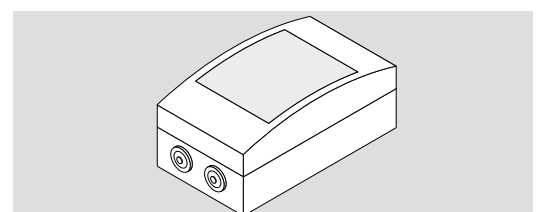
- M-SVP 3000 Control unit
- dormakaba cable transition/cable loop/LK detachable cable transfer

M-SVP 3000 Control unit

Control unit for operation of the M-SVP 3000 electro-mechanical multipoint panic lock with automatic locking action.

- Makes motorised unlocking of the door possible, via different access control systems
- Mounted in surface-mounted housing, including power supply unit
- Supply voltage: 230 V AC +/- 10%.
- Housing dimensions (W x H x D): approx. 112 x 200 x 84 mm

Order no. 16500000218



Supply sets for steel and aluminium narrow stile doors										
Product description	Forend	Striking strip	Striking plates	Backset	Distance	DIN	Lock cylinder	Article no.		
U forend										
M-SVP 3000 UU6	U 6 x 24	U 5.5 x 24		35	92	L	PC	15300001		
						R	PC	15300002		
						35	94	L	RC	15300031
								R	RC	15300032
M-SVP 3000 UU6,7	U 6.7 x 24	U 5.5 x 24		35	92	L	PC	15300003		
						R	PC	15300004		
M-SVP 3000 UF	U 6 x 24	F 3 x 24		35	92	L	PC	15300005		
						R	PC	15300006		
						94		L	RC	15300035
								R	RC	15300036
M-SVP 3000 40 UF	U 6 x 24	F 3 x 24		40	92	L	PC	15300009		
						R	PC	15300010		
						94		L	RC	15300039
								R	RC	15300040
M-SVP 3000 UF ST24	U 6 x 24		3 x 24	40	92	L	PC	15300017		
						R	PC	15300018		
						94		L	RC	15300047
								R	RC	15300048
Flat forend										
M-SVP 3000 FF	F 3 x 24	F 3 x 24		35	92	L	PC	15300007		
						R	PC	15300008		
						94		L	RC	15300037
								R	RC	15300038
M-SVP 3000 45 FF	F 3 x 24	F 3 x 24		45	92	L	PC	15300011		
						R	PC	15300012		
M-SVP 3000 FF ST29	F 2.5 x 29.5		2.5 x 29.5	35	92	L	PC	15300019		
						R	PC	15300020		
						94		L	RC	15300049
								R	RC	15300050

Supply sets for wooden doors								
Product description	Forend	Striking strip	Striking plates	Backset	Distance	DIN	Lock cylinder	Article no.
M-SVP 3000 H 55/92	F 2.7 x 20		8.5 x 20	55	92	L	PC	15300025
						R	PC	15300026
M-SVP 3000 H 65/92	F 2.7 x 20		8.5 x 20	65	92	L	PC	15300027
						R	PC	15300028
M-SVP 3000 H 65/94	F 2.7 x 20		8.5 x 20	65	94	L	RC	15300057
						R	RC	15300058

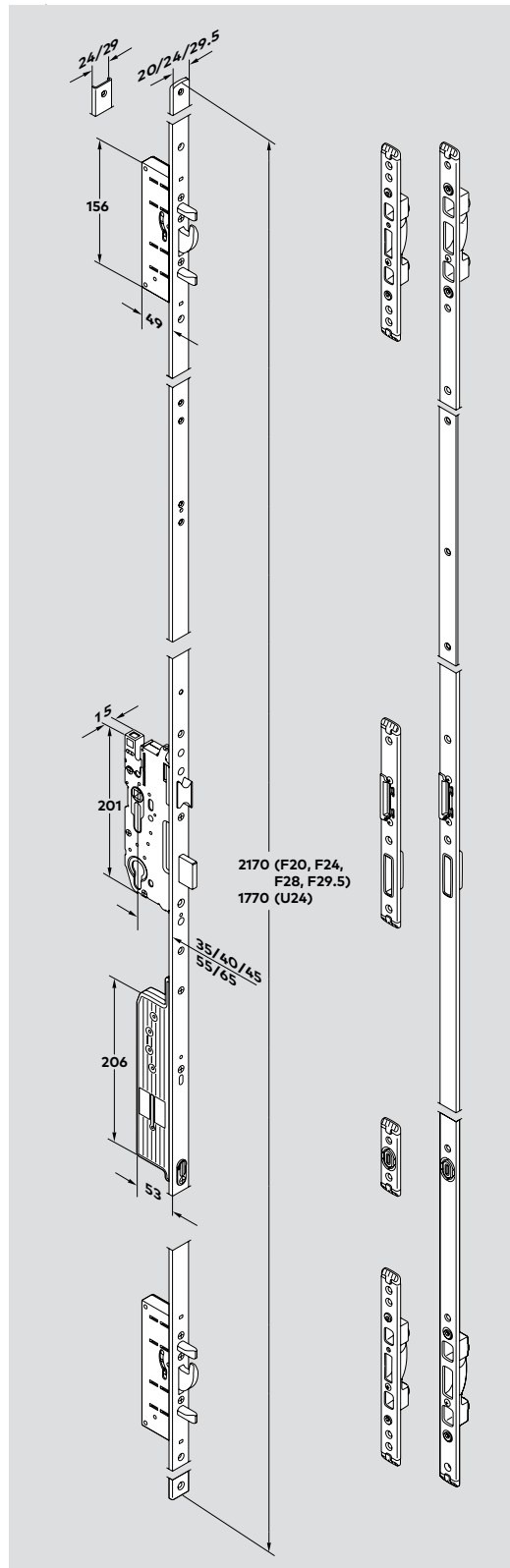
All dimension data in millimetres (mm)

L = DIN-L R = DIN-R

Please refer to page 30 for the profile-related overview

M-SVP 2200 DCW® – Multipoint panic motor lock with automatic locking action

Multipoint motor lock with automatic locking action and panic function. It has one rotating bolt and one bolt each at the top and the bottom of the lock for a particularly firm blocking lever, as well as a main lock with 20 mm projection. Heightened burglar



Motorised unlocking (short-term and permanent unlocking, plus additional day latch function) via access control systems, transmission function for unlocking from the outside using a key. The integrated panic function ensures that the door can be opened in the escape direction at any time simply by using the lever handle.

Motorised automatic locking takes place automatically when the door is closed. If a TMS escape route security system or an ED swing door operator with a DCW® upgrade is installed, the M-SVP 2200 DCW® can even be connected directly via the DCW® and operated with full functionality – without the need for a separate control unit.

The optional "SVP-S4x 2200 DCW®" control unit can be used to operate the M-SVP 2000 DCW® with its full range of functions, even in stand-alone mode without TMS.

With the following feedback:

"door open/closed", "door locked/unlocked", "handle operation/emergency unlocking".

- Steel bolts, rotating bolts and main locks
- Main lock, projection 20 mm.
- 9 mm square-section follower
- Free wheel cam cylinders (forced disengagement required)
- Operating voltage 24 V DC
- For use in wooden, PVC and aluminium doors
- Approved for use in emergency exit doors in accordance with DIN EN 179
- Suitable for use in fire and smoke doors with M-SVP PR DCW® module

Supply sets consisting of:

- M-SVP 2200 DCW® lock
- Striking strip or striking plates and accessories
- 10 m connection cable
- Including Installation manual and milling drawing

Required accessories

(to be ordered separately):

dormakaba cable transition/cable loop/LK detachable cable transfer

Optional:

SVP-S4x DCW® control unit, M-SVP PR DCW® module

Supply sets for steel and aluminium narrow stile doors								
Product description	Forend	Striking strip	Striking plates	Backset	Distance	DIN	Lock cylinder	Article no.
U forend								
M-SVP 2200 DCW® UU6	U 6 x 24	U 5.5 x 24		35	92	L	PC	15202001
						R	PC	15202002
				35	94	L	RC	15202031
						R	RC	15202032
M-SVP 2200 DCW® UU6,7	U 6.7 x 24	U 5.5 x 24		35	92	L	PC	15202003
						R	PC	15202004
M-SVP 2200 DCW® UF	U 6 x 24	F 3 x 24		35	92	L	PC	15202005
						R	PC	15202006
				94	L	RC	15202035	
					R	RC	15202036	
M-SVP 2200 DCW® 40 UF	U 6 x 24	F 3 x 24		40	92	L	PC	15202009
						R	PC	15202010
				94	L	RC	15202039	
					R	RC	15202040	
M-SVP 2200 DCW® UF 65/72	U 6 x 24	F 3 x 24		65	72	L	PC	15202015
						R	PC	15202016
M-SVP 2200 DCW® UF ST24	U 6 x 24		3 x 24	40	92	L	PC	15202017
						R	PC	15202018
				94	L	RC	15202047	
					R	RC	15202048	
Flat forend								
M-SVP 2200 DCW® FF	F 3 x 24	F 3 x 24		35	92	L	PC	15202007
						R	PC	15202008
				94	L	RC	15202037	
					R	RC	15202038	
M-SVP 2200 DCW® 45 FF	F 3 x 24	F 3 x 24		45	92	L	PC	15202011
						R	PC	15202012
M-SVP 2200 DCW® FF ST29	F 2.5 x 29.5		2.5 x 29.5	35	92	L	PC	15202019
						R	PC	15202020
				94	L	RC	15202049	
					R	RC	15202050	

All dimension data in millimetres (mm)

L = DIN-L R = DIN-R

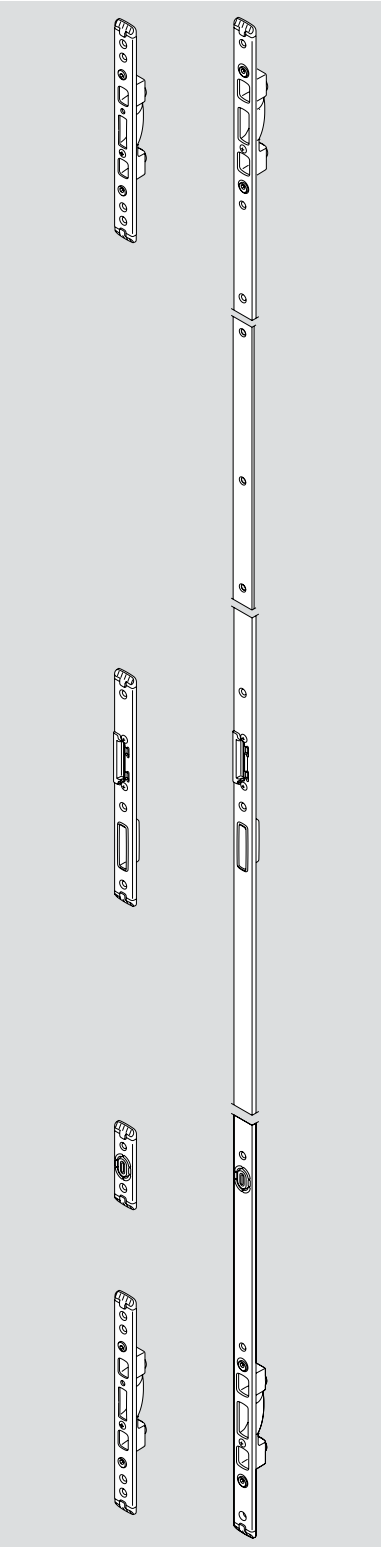
M-SVP 2200 DCW® – Multipoint panic motor lock with automatic locking action

Supply sets for wooden doors								
Product description	Forend	Striking strip	Striking plates	Backset	Distance	DIN	Lock cylinder	Article no.
M-SVP 2200 DCW® H 55/92	F 2.7 x 20		8.5 x 20	55	92	L	PC	15202025
						R	PC	15202026
M-SVP 2200 DCW® H 65/92	F 2.7 x 20		8.5 x 20	65	92	L	PC	15202027
						R	PC	15202028
M-SVP 2200 DCW® H 55/72	F 2.7 x 20		8.5 x 20	55	72	L	PC	15202021
						R	PC	15202022
M-SVP 2200 DCW® H 65/72	F 2.7 x 20		8.5 x 20	65	72	L	PC	15202023
						R	PC	15202024
M-SVP 2200 DCW® H 65/74	F 2.7 x 20		8.5 x 20	65	74	L	RC	15202043
						R	RC	15202044

All dimension data in millimetres (mm)

L = DIN-L **R** = DIN-R

M-SVP accessories

	Specification text	Article no.
	Striking strip for use with the M-SVP 2200 DCW® on steel and aluminium narrow stile doors	
	Striking strip F24 DIN-L	15202105
	Striking strip F24 DIN-R	15202106
	Striking strip U24 DIN-L	15202107
	Striking strip U24 DIN-R	15202108
	Striking strip for use with the M-SVP 2200 DCW® on wooden doors	
	Striking strip DIN non handed	15202103
	Striking plates for use with the M-SVP 2200 DCW® on steel and aluminium narrow stile doors	
	Striking plates, set, F24 DIN-L	15202115
	Striking plates, set, F24 DIN-R	15202116
	Striking plates, set, U24 DIN-L	15202117
	Striking plates, set, U24 DIN-R	15202118
Striking plates for use with the M-SVP 2200 DCW® on wooden doors		
Locking components, set, DIN non handed	15202113	

M-SVP 5500 – Supply sets

Supply sets M-SVP 5500							
Product description	Forend	Striking plates	Backset	Distance	DIN	Lock cylinder	Article no.
U forend							
M-SVP 5500 40 U6	U forend 6 x 24	3 x 20	40	92	L/R	PC	15520002
M-SVP 5500 45 U6,7	U forend 24 x 6.7	3 x 20	45	92	L/R	PC	15520003
Supply sets M-SVP second leaf lock							
M-SVP second leaf lock 35 U24 x 4.2	U forend 4.2 x 24 mm	U striking plates	35		L/R	–	15330001
M-SVP second leaf lock 45 U 24 x 4.2	U forend 4.2 x 24 mm	U striking plates	35		L/R	–	15330003
Flat forend							
M-SVP second leaf lock 35 F 24 x 2.7	Flat forend F 2.7 x 24 mm	F striking plates	35		L/R	–	15330002

Profile combinations

M-SVP 5500				
Profiles	Lock version/active door leaf		Second leaf lock version/passive door leaf	
	Automatic multipoint locking mechanical	Article no.	Second leaf lock set mechanical	Article no.
Akotherm AT 730/Profil 2467-2472	M-SVP 5500 40 U6	15520002	M-SVP GK 35 F	15330002
Blyweert Triton	M-SVP 5500 40 U6	15520002	M-SVP GK 35 U	15330001
Heroal 025/Profil 12592-12581	M-SVP 5500 40 U6	15520002	M-SVP GK 35 F	15330002
Heroal 065	M-SVP 5500 45 U6,7	15520003	M-SVP GK 45 U	15330003
Heroal 110 E	M-SVP 5500 45 U6,7	15520003	M-SVP GK 45 U	15330003
Klauke Series 77/Profil 77155-77161	M-SVP 5500 40 U6	15520002	M-SVP GK 35 F	15330002
Reynears CS 68	M-SVP 5500 40 U6	15520002	M-SVP GK 35 U	15330001
Reynears CS 77	M-SVP 5500 40 U6	15520002	M-SVP GK 35 U	15330001
Schueco ADS 65 HD	M-SVP 5500 40 U6	15520002	M-SVP GK 35 U	15330001
Schueco ADS 70HD	M-SVP 5500 40 U6	15520002	M-SVP GK 35 U	15330001
Schueco ADS 75SIHD	M-SVP 5500 40 U6	15520002	M-SVP GK 35 U	15330001
Sprangers	M-SVP 5500 40 U6	15520002	M-SVP GK 35 U	15330001
Sykotherm VK75	M-SVP 5500 40 U6	15520002	M-SVP GK 35 U	15330001
TKI 755/ Profil 755-02-061/755-02-063	M-SVP 5500 40 U6	15520002	M-SVP GK 35 U	15330001

M-SVP 3500 – Supply sets

Supply sets M-SVP 3500							
Product description	Forend	Striking plates	Backset	Distance	DIN	Lock cylinder	Article no.
U forend							
M-SVP 3500 RR 40 U6	U forend 6 x 24	3 x 20	40	92	L/R	PC	15320002
M-SVP 3500 RR 45 U6,7	U forend 24 x 6.7	3 x 20	45	92	L/R	PC	15320003
Supply sets M-SVP second leaf lock							
M-SVP second leaf lock 35 U24 x 4.2	U forend 4.2 x 24 mm	U striking plates	35		L/R	–	15330001
M-SVP second leaf lock 45 U 24 x 4.2	U forend 4.2 x 24 mm	U striking plates	35		L/R	–	15330003
Flat forend							
M-SVP second leaf lock 35 F 24 x 2.7	Flat forend F 2.7 x 24 mm	F striking plates	35		L/R	–	15330002

Profile combinations

M-SVP 3500 RR				
Profiles	Lock version/active door leaf		Second leaf lock version/passive door leaf	
	Automatic multipoint locking motorised with feedback contacts	Article no.	Second leaf lock set mechanical	Article no.
Akotherm AT 730/Profile 2467-2472	M-SVP 3500 RR 40 U6	15320002	M-SVP GK 35 F	15330002
Blyweert Triton	M-SVP 3500 RR 40 U6	15320002	M-SVP GK 35 U	15330001
Heroyal 025/Profile 12592-12581	M-SVP 3500 RR 40 U6	15320002	M-SVP GK 35 F	15330002
Heroyal 065	M-SVP 3500 RR 45 U6,7	15320003	M-SVP GK 45 U	15330003
Heroyal 110 E	M-SVP 3500 RR 45 U6,7	15320003	M-SVP GK 45 U	15330003
Klauke Series 77/Profile 77155-77161	M-SVP 3500 RR 40 U6	15320002	M-SVP GK 35 F	15330002
Reynears CS 68	M-SVP 3500 RR 40 U6	15320002	M-SVP GK 35 U	15330001
Reynears CS 77	M-SVP 3500 RR 40 U6	15320002	M-SVP GK 35 U	15330001
Schueco ADS 65 HD	M-SVP 3500 RR 40 U6	15320002	M-SVP GK 35 U	15330001
Schueco ADS 70HD	M-SVP 3500 RR 40 U6	15320002	M-SVP GK 35 U	15330001
Schueco ADS 75SIHD	M-SVP 3500 RR 40 U6	15320002	M-SVP GK 35 U	15330001
Sprangers	M-SVP 3500 RR 40 U6	15320002	M-SVP GK 35 U	15330001
Sykotherm VK75	M-SVP 3500 RR 40 U6	15320002	M-SVP GK 35 U	15330001
TKI 755/ Profile 755-02-061/755-02-063	M-SVP 3500 RR 40 U6	15320002	M-SVP GK 35 U	15330001

SVP-S – Motor lock control units

dormakaba motor lock are used to control motor locks of the SVP 2000 DCW®, SVP 2000 DCW® F and M-SVP 2200 series. In addition to a number of integrated functions, the control unit serves as an interface between the lock and the building control system, which, for example, allows for the output of status information or the integration of the system into an already existing IP (LAN) or LON network. The control units are available in various housing options – some with a power supply unit.

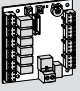
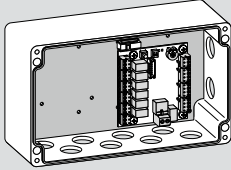
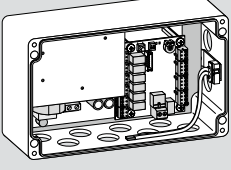
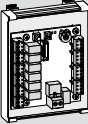
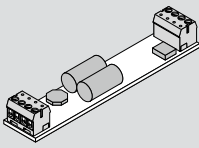
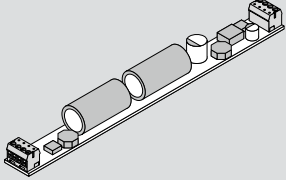
F Note

With motor locks, the PERMANENTLY OPEN function must not be used for fire and smoke doors, as the blocking lever of the door is not available during a fire. If used on fire and smoke doors, the SVP 2000 DCW® F variant with integrated power reserve module should be used. Use of at least an additional power reserve module is absolutely necessary.

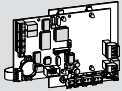
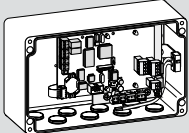
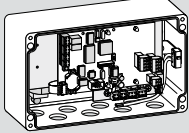
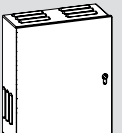
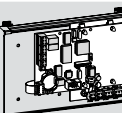
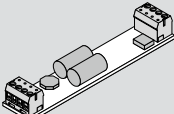
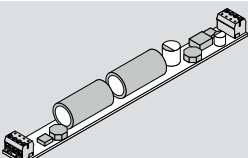
Usage		Usable motor lock control unit			
		None	SVP-S3x (CH)	SVP-S4x	Direct via DCW®
Basic opening function only, no additional functions	SVP 2000 DCW® / F	●	–	–	–
	M-SVP 2200 DCW®	●	–	–	–
Full functional range, stand-alone unit	SVP 2000 DCW® / F	–	●	●	–
	M-SVP 2200 DCW®	–	●	●	–
Can be integrated into networks (LON or LAN)	SVP 2000 DCW® / F	–	–	●	–
	M-SVP 2200 DCW®	–	–	●	–
Configuration via TMS Soft	SVP 2000 DCW® / F	–	–	●	–
	M-SVP 2200 DCW®	–	–	●	–
Power reserve module, also available integrated as SVP 2000 DCW® F	SVP 2000 DCW® SVP-PR DCW®	–	●	●	●
	M-SVP 2200 DCW® M-SVP-PR DCW®	–	●	●	●
Connection to dormakaba DCW® components (TMS system or ED with DCW® interface)	SVP 2000 DCW® / F	●	–	–	●
	M-SVP 2200 DCW®	●	–	–	●

● yes – no

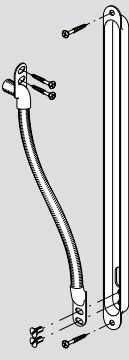

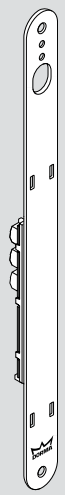
SVP-S 3X DCW® – Motor lock control units

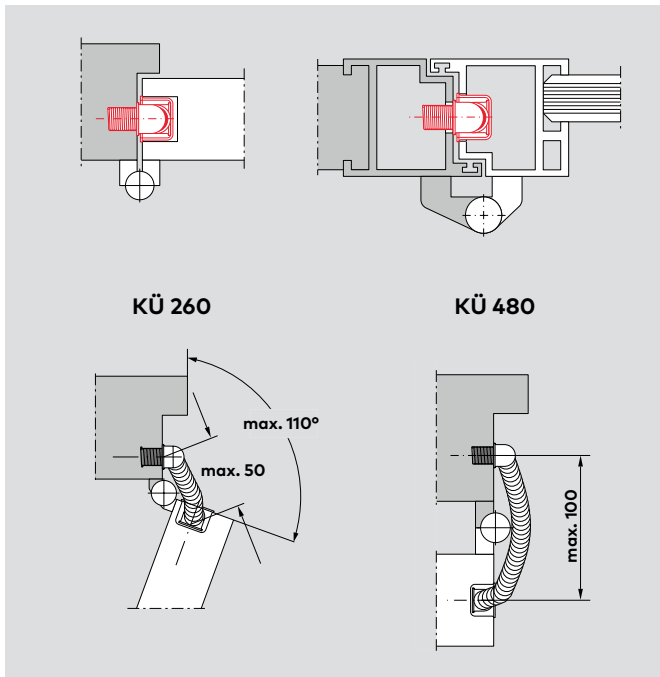
	Specification text	Article no.
	<p>SVP-S 3x DCW® LON SVP-S 3x DCW® control unit for operation of SVP 2000 DCW®, SVP 2000 DCW® F or M-SVP 2200 DCW® panic motor locks with automatic locking action in stand-alone operating mode with full functionality. This control unit offers various inputs and outputs, no software configuration required. Configured for motorised locking and unlocking of the door via access control systems (on-site); control unit and lock are connected via the DCW® system bus. Inputs: activation of the motor lock for short-term or permanent door release, latch locking during day function (only M-SVP), smoke detector, door contact (only SVP). Outputs (potential-free): locked, unlocked, door closed, handle operated, cylinder contact, trigger, door opening alarm.</p>	
	<p>SVP-S 32 DCW® Supply for installation in switch cabinets and as replacement/extension.</p>	70922032
	<p>SVP-S 33 DCW® Installed in plastic housing, IP 40. Housing dimensions (W x H x D): approx. 200 x 120 x 90 mm</p>	70922033
	<p>SVP-S 34 DCW® Installed in plastic housing, IP 54, with NT 24-1.5S power supply unit. Connection: 230 V AC +/- 10%. Housing dimensions (W x H x D): approx. 200 x 120 x 90 mm</p>	70922034
	<p>SVP-S 36 DCW® For top hat rail installation</p>	70922036
	<p>SVP-PR DCW® Power reserve module. Additional module for guaranteeing automatic re-locking in case of power failure; mandatory for use in fire and smoke doors. Alternatively, the SVP 2xxx DCW® F variant can be used with an integrated PR module.</p>	70922601
	<p>M-SVP PR DCW® Power reserve module. Additional module for guaranteeing automatic re-locking in case of power failure; mandatory for use in fire and smoke doors</p>	70922603

SVP-S 4X DCW® – Motor lock control units

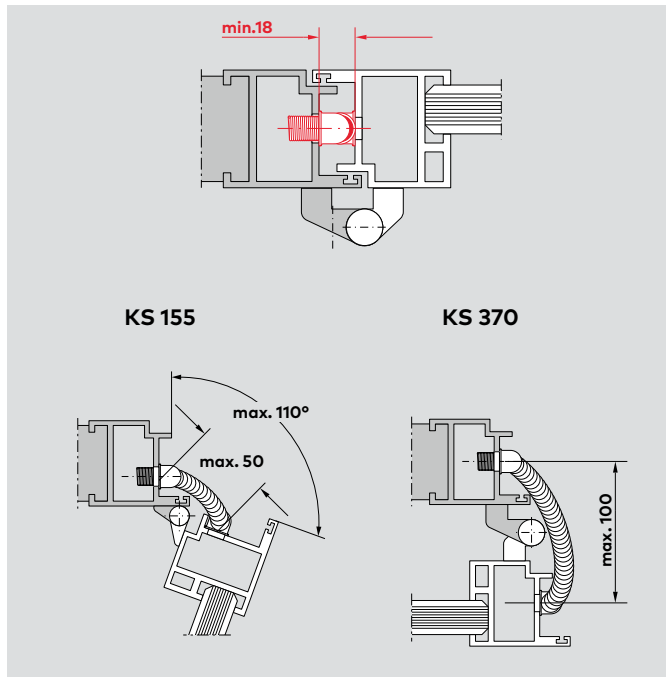
	Specification text	Article no.
	<p>SVP-S 4x DCW® For operation of the panic motor locks with automatic locking action SVP 2000 DCW®, SVP 2000 DCW® F or M-SVP 2200 DCW® in stand-alone mode without dormakaba TMS door management system or ED 100/250 for the full functional range. Configured for motorised unlocking of the door via access control systems (provided by the customer). The control unit is connected to the lock via the DCW® system bus. If required, the control unit can be networked over a LAN/LON. The extended parameterisation, visualisation and use of access control functions is done via the integrated RS-232 interface/LAN/LON using TMS Software/TMS Software Basic (from version 4.5). Inputs: activation of the motor lock for short-term or permanent door release, latch locking during day function (M-SVP only), smoke detector, door contact (SVP only). Outputs can be parameterised via TMS Soft. Outputs: "locked", "unlocked", "door closed", "handle operation", alarm, "door open".</p> <p>Connection: 24 V DC Peak starting current: 150 mA (SVP)/1.5 A (M-SVP) Closed-circuit current: approx. 66 mA Maximum load current: 24 V DC; 0.5 A inductive, 1 A resistive</p>	
	<p>SVP-S 42 DCW® Supply for installation in switch cabinets and as replacement/extension.</p> <p>Connection: 24 V DC</p>	70922042
	<p>SVP-S 43 DCW® Installed in plastic housing, IP 40.</p> <p>Connection: 24 V DC Housing dimensions (W x H x D): approx. 200 x 120 x 90 mm</p>	70922043
	<p>SVP-S 44 DCW® Installed in plastic housing, IP 54, with dormakaba NT 24–1.5 S power supply unit.</p> <p>Connection: 230 V AC +/- 10%. Housing dimensions (W x H x D): approx. 200 x 120 x 90 mm</p>	70922044
	<p>SVP-S 45 DCW® For connection to 230 V, IP 30, prepared for emergency power supply from AP 1224 rechargeable battery pack (not included). Dimensions (W x H x D): 305 x 380 x 130 mm</p>	70922045
	<p>SVP-S 46 DCW® For top hat rail installation</p>	70922046
	<p>SVP-PR DCW® Power reserve module. Additional module for guaranteeing automatic re-locking in case of power failure; mandatory for use in fire and smoke doors. Alternatively, the SVP 2xxx DCW® F variant can be used with an integrated PR module.</p>	70922601
	<p>M-SVP-PR DCW® Power reserve module. Additional module for guaranteeing automatic re-locking in case of power failure; mandatory for use in fire and smoke doors</p>	70922603

Accessories

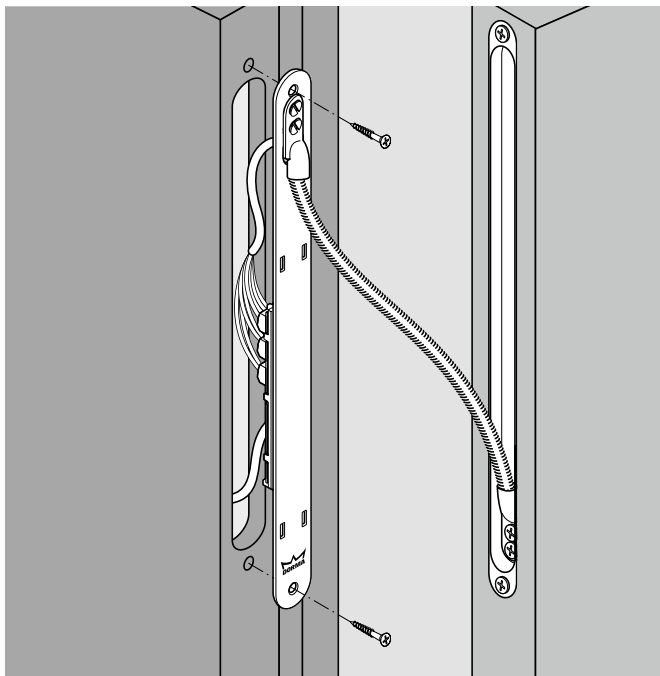
	Specification text	Article no.
	<p>Cable transition Robust stainless steel spiral with stainless steel box for inserting flexible connection cables up to 8 mm Ø. Provides a crush-free and tamper-proof connection between the leaves and frames of doors and windows.</p> <p>Cable transition 260 For door hinges with a pivot of up to 18 mm and opening angle up to 110°, flexible length of the spiral: 155 mm, installation dimensions of the installation case (B x H x D): approx. 24 x 260 x 17 mm</p> <p>Cable transition 480 For door hinges with a pivot of up to 36 mm and opening angle up to 180°, flexible length of the spiral: 370 mm, installation dimensions of the installation case (B x H x D): approx. 24 x 480 x 17 mm</p>	<p>15811000</p> <p>15813000</p>
	<p>Cable loop Robust stainless steel spiral with stainless steel box for inserting flexible connection cables up to 8 mm Ø between movable elements with hollow spaces, can also be used as a cable swing.</p> <p>Cable loop 155 For door hinges with a pivot of up to 18 mm and opening angle up to 110°, flexible length of the spiral: 155 mm, installation dimensions of the installation case (B x H x D): approx. 17 x 255 x 15 mm</p> <p>Cable loop 370 For door hinges with a pivot of up to 36 mm and opening angle up to 180°, flexible length of the spiral: 370 mm, installation dimensions of the installation case (B x H x D): approx. 17 x 470 x 15 mm</p>	<p>15817000</p> <p>15819000</p>
	<p>LK-12 detachable cable transfer plug connection LK detachable cable transfer plug connection for installation in the door frame, can be combined with the cable transitions and cable loops. 12-wire, with rear-side connection terminals. The plug-in screw terminal allows for an easy plugging-in and unplugging of the connection cables of SVP or M-SVP locks for the flexible and quick installation, disassembly and maintenance of the door.</p> <p>Dimensions (W x H x D): 24 x 300 x 3 mm Dimensions including PCB (B x H x D): 24 x 300 x 20 mm Maximum current-carrying capacity: 2 A Maximum voltage: 48 V DC Maximum cable cross-section for each connecting terminal: Ø 0.8 mm</p>	<p>15813010</p>



Cable transition 260/480

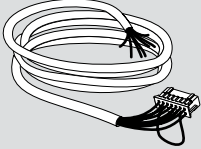
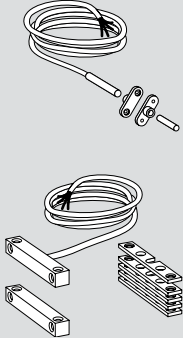
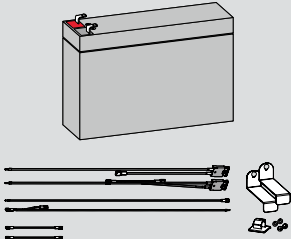
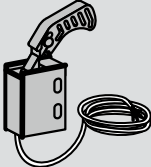




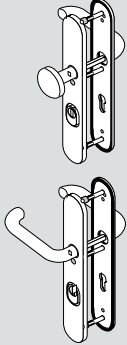



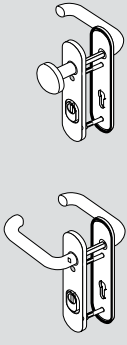



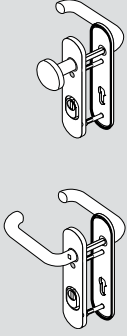







Cable loop 155/370



LK detachable cable transfer plug connection LK 12

SVP/SVZ accessories

	Specification text	Article no.
	<p>SVP-A 1100 Connection cable, 12-core, with coupling notched on one side for reverse-polarity protected connection to SVP 6xxx, SVP 4xxx and SVP 2xxx</p> <p>Length = 10 m, LIYY 12 x 0.23 mm², Ø = 6.5 mm</p> <p>SVP-A adapter (A1000) Adapter for connecting SVP locks to the old SVP-A 1000 connection cable that cannot be replaced in the existing stock with the connection cable SVP-A 1100. Length 120 mm</p> <p>SVP-A adapter (A1100) For connecting an SVP in old design to the SVP-A 1100 connection cable. Length 120 mm</p>	<p>70932992</p> <p>70932991</p> <p>70932296</p>
	<p>TK Reed door contact for monitoring of door openings, with 4 m flexible connection cable and integrated sabotage line, NC contact, maximum load current: max. 10 W. Supplied with magnet in the same housing.</p> <p>Only for flush-mounted installation in wooden doors (VdS no. G 191518, class B), dimensions (Ø x D): approx. 6 x 30 mm</p> <p>TK 103 brown TK 110 white</p> <p>Only for surface mounting in wooden and metal doors (VdS no. G 191523, grade B), dimensions (W x H x D): approx. 55 x 10 x 10 mm</p> <p>TK 203 brown TK 210 white</p>	<p>49931103</p> <p>49931110</p> <p>49931203</p> <p>49931210</p>
	<p>AP 1224 battery pack Battery pack for SVP-S 45 DCW® for maintaining the function of the motor lock control unit in case of a power failure/voltage drop. Two/four batteries are required for the USV 24-3 emergency power supply unit.</p> <p>Cable set 24 V Cable set for connecting two or four battery packs to the USV-24 emergency power supply unit</p>	<p>56622400</p> <p>56622401</p>
	<p>Bolt contact switch VdS class C no. G 103 079 with a floating change-over contact to monitor the locking of doors. Version specially tailored to SVP locks! (Specially tailored to SVP locks. There is probably no proper working with other bolt contact switches.) Usable with all strike plates with the ending "-RK".</p> <p>Class of protection: IP 68 connection cable: 4 m LIYY 3 x 0.14 mm² switching capacity: 30 V DC, 200 mA</p>	<p>15198000</p>

	Specification text	Article no.
	<p>Parameterisation software TMS Soft V4.x TMS Soft V4.5.139 control, parameterisation and visualisation software for the control and parameterisation of all adjustable functions and parameters of a TMS door management system via PC.</p>	563339104
	<p>Parameterisation software TMS Soft Basic TMS Soft Basis control, parameterisation and visualisation software for the control and parameterisation of all adjustable functions and parameters of a TMS door management system via PC. Control, parameterisation and visualisation of individual door management systems TMS via RS 232 interface, no LAN/LON network possible.</p>	56339100
	<p>SVP-SI 210    Security fittings in accordance with EN 179 and DIN 18257 ES 1 with anti-pull protection for SVP 2000 DCW®, SVP 2000 DCW® F, 4000 and 5000 wide stile locks, tested for fire protection and emergency exit doors, PC distance 72 mm, door thickness 37–42 mm, cylinder projection 9–15 mm, stainless steel, long shield, knob/lever handle sets with 9 mm spindle</p>	70921004
	<p>SVP-SI 211    Security fittings in accordance with EN 179 and DIN 18257 ES 1 with anti-pull protection for SVP/SVZ 6000 wide stile locks, tested for fire protection and emergency exit doors, PC distance 72 mm, door thickness 37–42 mm, cylinder projection 9–15 mm, stainless steel, long shield, lever handle on both sides with split spindle</p>	70921104
	<p>SVP-SI 310    Security fittings in accordance with EN 179 and DIN 18257 ES 1 with anti-pull protection for SVP 2000 DCW®, SVP 2000 DCW® F, 4000 and 5000 wide stile locks, tested for fire protection and emergency exit doors, PC distance 72 mm, door thickness 68–72 mm, cylinder projection 9–15 mm, stainless steel, short shield, knob/lever handle sets with 9 mm spindle</p>	70931004
	<p>SVP-SI 311    Security fittings in accordance with EN 179 and DIN 18257 ES 1 with anti-pull protection for SVP/SVZ 6000 wide stile locks, tested for fire protection and emergency exit doors, PC distance 72 mm, door thickness 68–72 mm, cylinder projection 9–15 mm, stainless steel, short shield, lever handle on both sides with split spindle</p>	70931104
	<p>SVP-SB 710 Security fittings in accordance with EN 179 and DIN 18257 ES 1 with anti-pull protection for SVP narrow stile locks, tested for fire protection and emergency exit doors, PC distance 92 mm, door thickness 55–64 mm, cylinder projection 9–15 mm, colour F1, short shield, knob/lever handle sets with 9 mm spindle</p>	49961001
	<p>SVP-SB 711 Security fittings in accordance with EN 179 and DIN 18257 ES 1 with anti-pull protection for SVP narrow stile locks, tested for fire protection and emergency exit doors, PC distance 92 mm, door thickness 55–64 mm, cylinder projection 9–15 mm, colour F1, short shield, lever handle on both sides with split spindle</p>	49961101



**Door
Hardware**



**Entrance
Systems**



**Electronic
Access & Data**



**Interior Glass
Systems**



**Mechanical
Key Systems**



Service

dormakaba
International Holding AG
Hofwissenstrasse 24
CH-8153 Rümlang
T +41 44 818 90 11
info@dormakaba.com
www.dormakaba.com