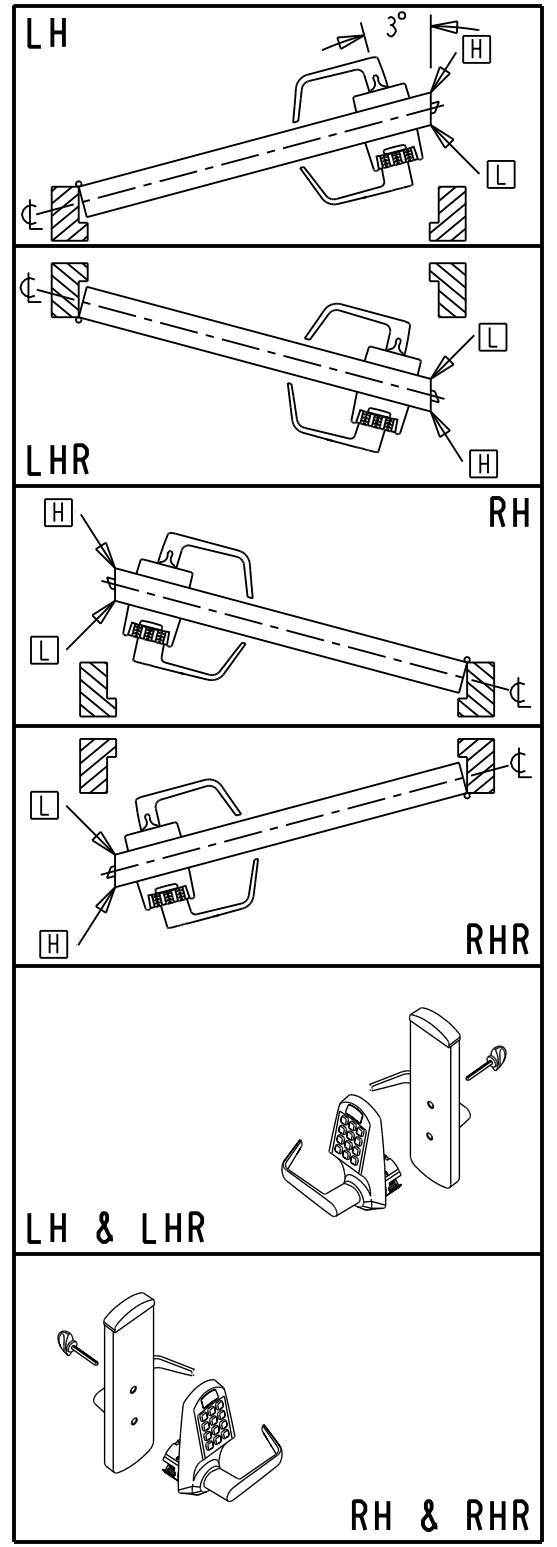


**NOTES:**  
 - FOR DIMENSIONS AND TOLERANCES REFER TO: DOOR PREPARATION DRAWING #IP-509828  
 - HIGH AND LOW BEVEL EDGE [H][L] FOR DOORS WITH 3° BEVEL ANGLE (SEE ILLUSTRATION)  
 - SYMBOLS: -  $\nabla$  DEEP  
                   -  $\ominus$  CENTER LINE OF DOOR  
                   -  $\varnothing$  DIAMETER  
                   -  $\nabla$  NOT TO SCALE



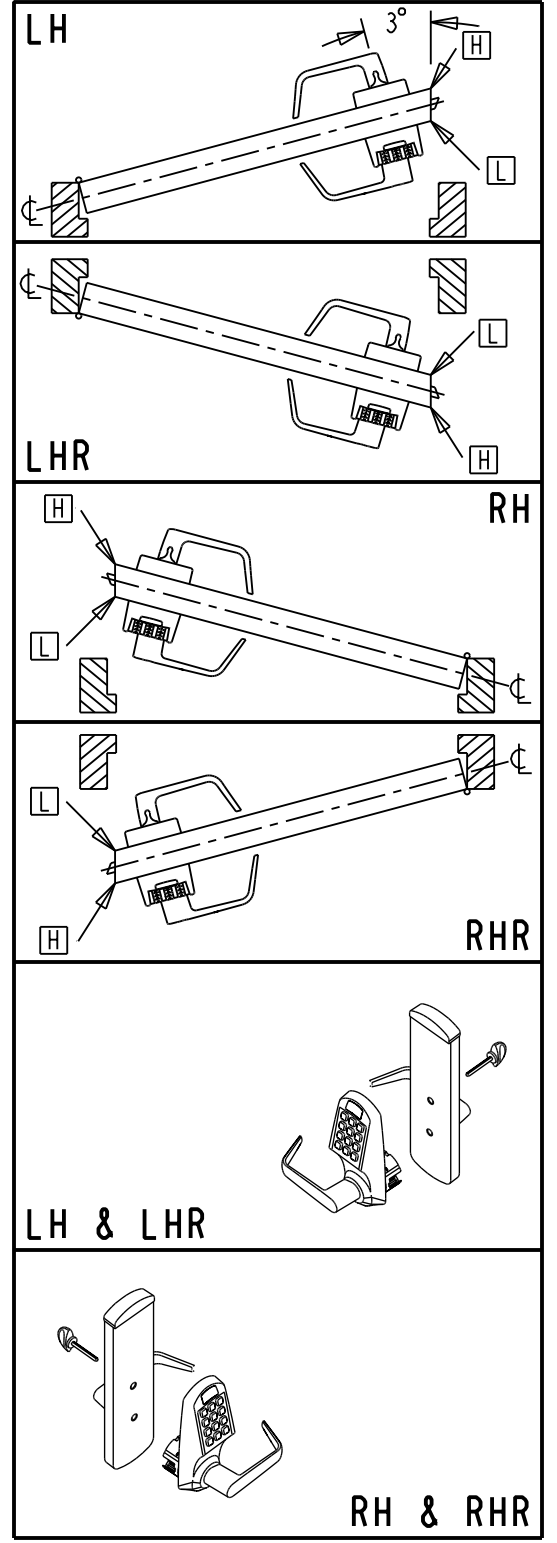
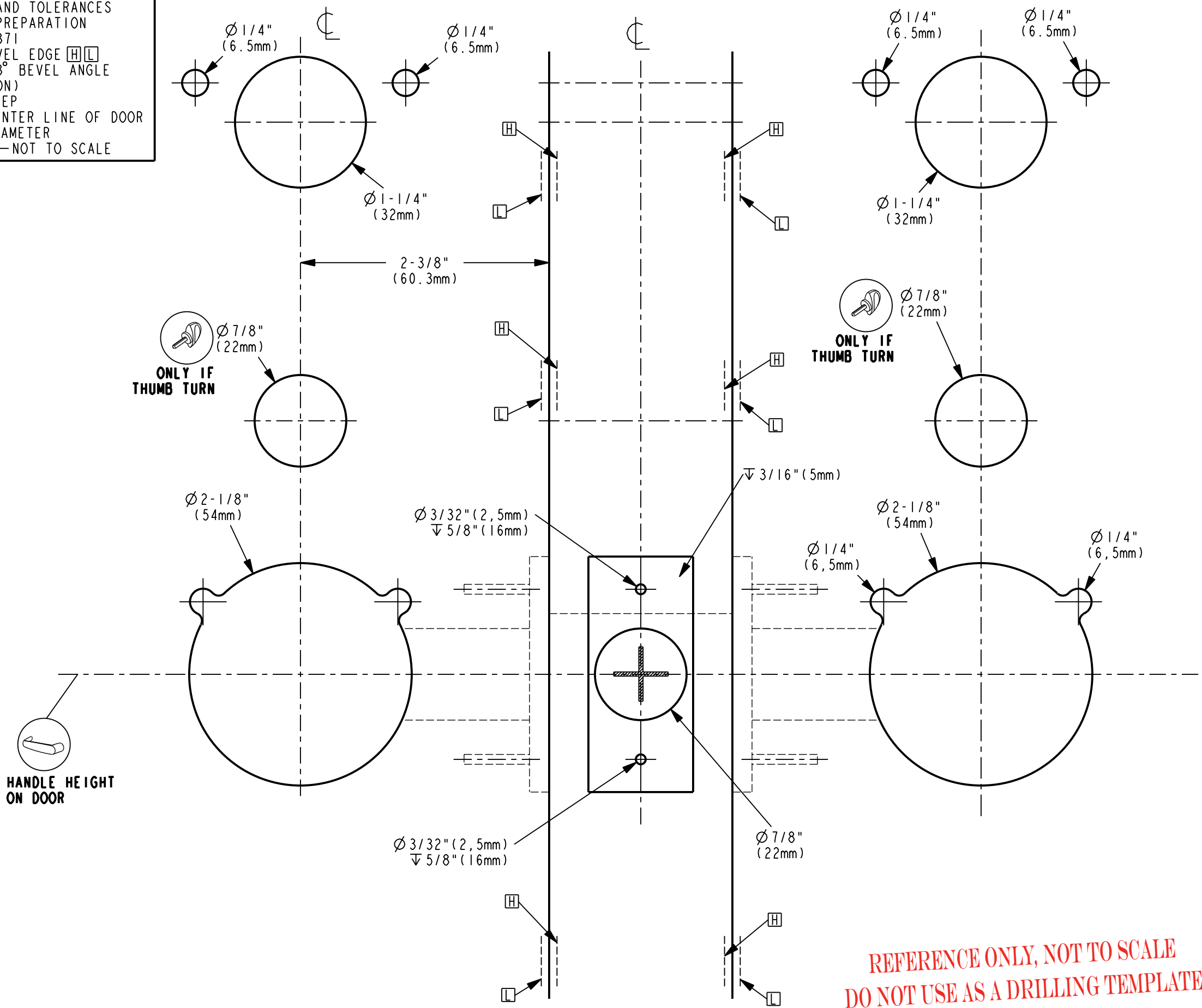
**REFERENCE ONLY, NOT TO SCALE**  
**DO NOT USE AS A DRILLING TEMPLATE**  
**CALL 800-849-8324**

**KABA**  
**ilco**  
 7301, Decarie Boul  
 Montreal, QC Canada  
 H4P 2G7  
 www.kaba-ilco.com


**DRILLING TEMPLATE**  
**ORACODE 610, EPBL 4000**  
 LEFT HAND (LH) - LEFT HAND REVERSE (LHR)  
 RIGHT HAND (RH) - RIGHT HAND REVERSE (RHR)  
 CYLINDRICAL UNIT - BACKSET OF:  
 2-3/4"(70mm), 3-3/4"(94mm), 5"(125mm)

**DT-509828** SHEET 1 OF 1 REV-3 ECN-10088

NOTES:  
 - FOR DIMENSIONS AND TOLERANCES REFER TO: DOOR PREPARATION DRAWING #IP-510371  
 - HIGH AND LOW BEVEL EDGE  $\square$   $\square$   
 FOR DOORS WITH 3° BEVEL ANGLE (SEE ILLUSTRATION)  
 - SYMBOLS:  
 -  $\nabla$  DEEP  
 -  $\text{---}$  CENTER LINE OF DOOR  
 -  $\varnothing$  DIAMETER  
 -  $\longleftarrow$  NOT TO SCALE



**REFERENCE ONLY, NOT TO SCALE**  
**DO NOT USE AS A DRILLING TEMPLATE**  
**CALL 800-849-8324**

|   |                 |  |           |
|---|-----------------|--|-----------|
|    |                 | 7301, Decarie Boul<br>Montreal, QC Canada<br>H4P 2G7<br><a href="http://www.kaba-ilco.com">www.kaba-ilco.com</a> |           |
| <b>DRILLING TEMPLATE</b><br><b>ORACODE 610, EPBL 400</b><br>LEFT HAND (LH) - LEFT HAND REVERSE (LHR)<br>RIGHT HAND (RH) - RIGHT HAND REVERSE (RHR)<br>CYLINDRICAL UNIT - BACKSET OF:<br>2-3/8" (60mm), 1/2 LATCH<br>ARROW #032-510335 FACE PLATE 1" |                 |  |           |
| <b>DT-510371</b>  | SHEET<br>1 OF 1 | REV-1  | ECN#10157 |