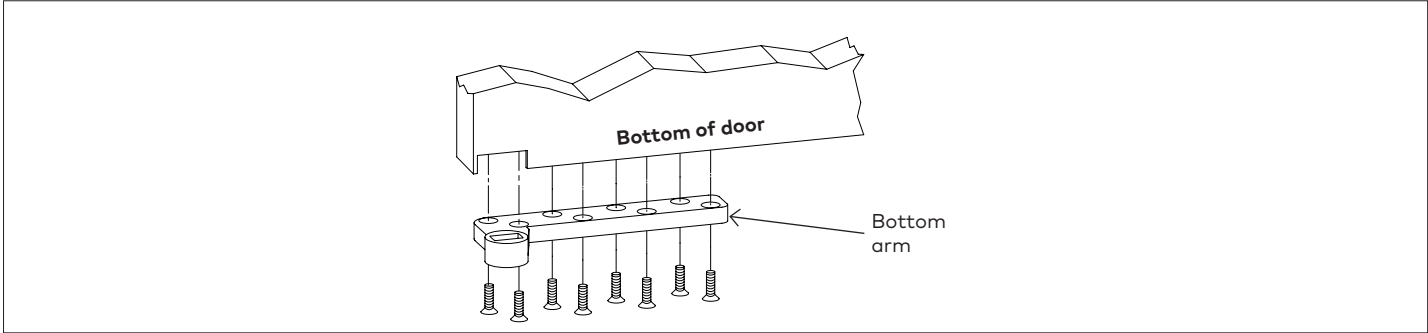


Installation Instructions

3/4" Offset Lead Lined Bottom Arm (HD) For use with 75343

1.1 Install bottom arm

Fig. 1

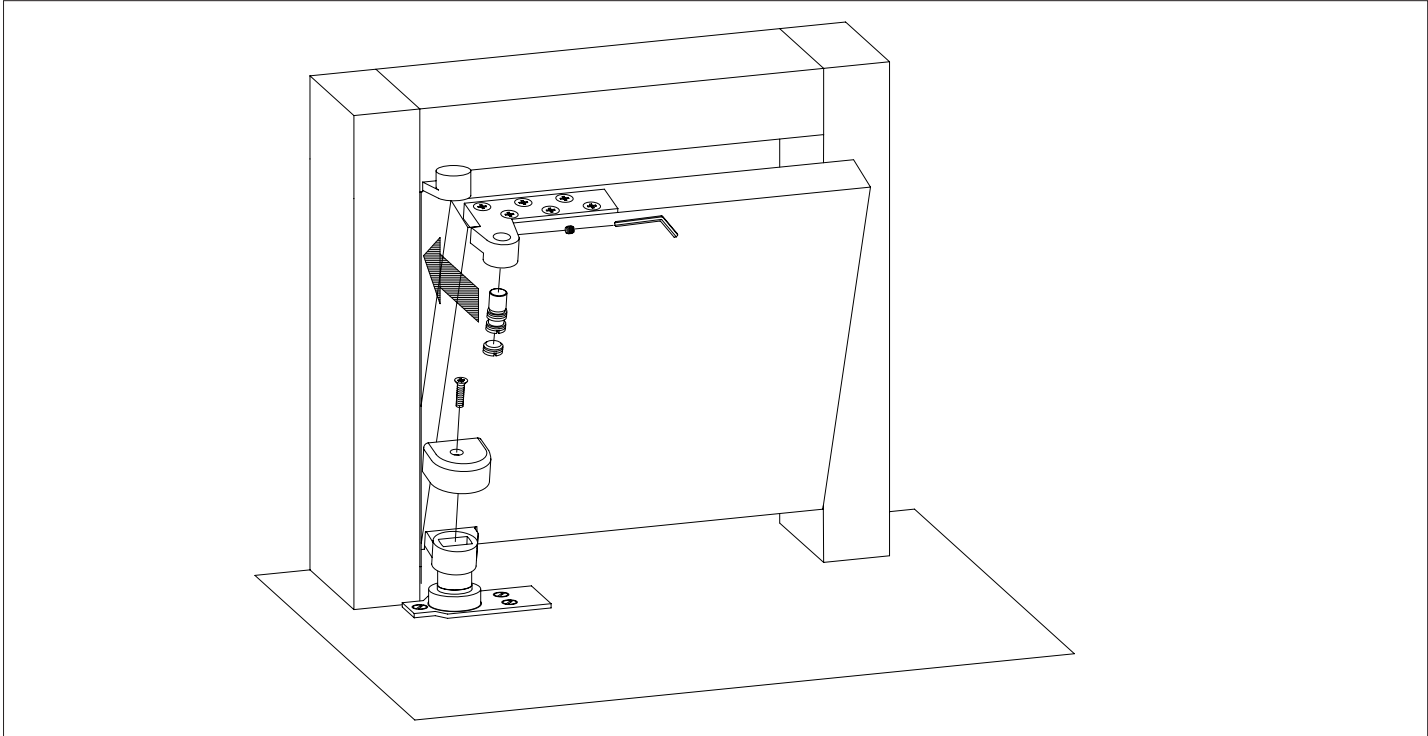


1.1.1 Prepare door according to template.

1.1.2 Install bottom arm.

1.2 Install door

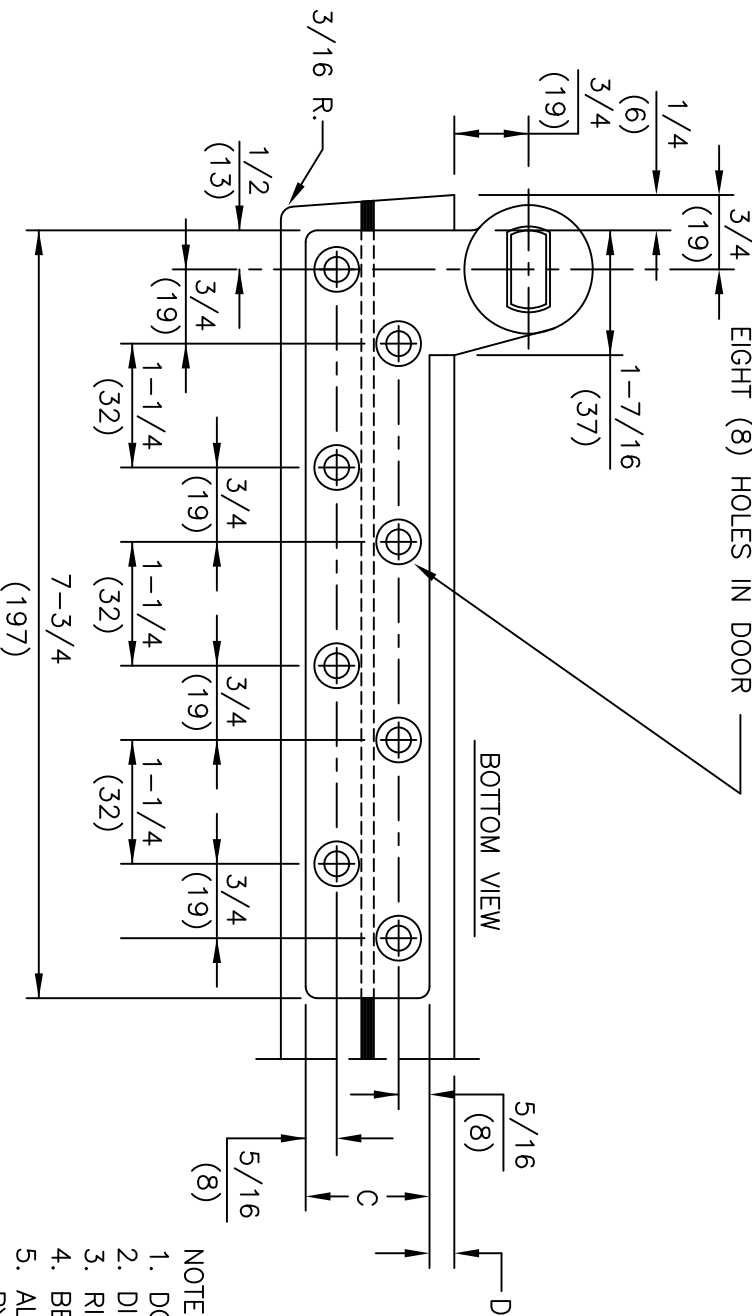
Fig. 2



- 1.2.1 With door parallel to frame, place bottom arm onto floor bearing.
- 1.2.2 Align door and frame portions of top pivot.
- 1.2.3 Install pivot pin.

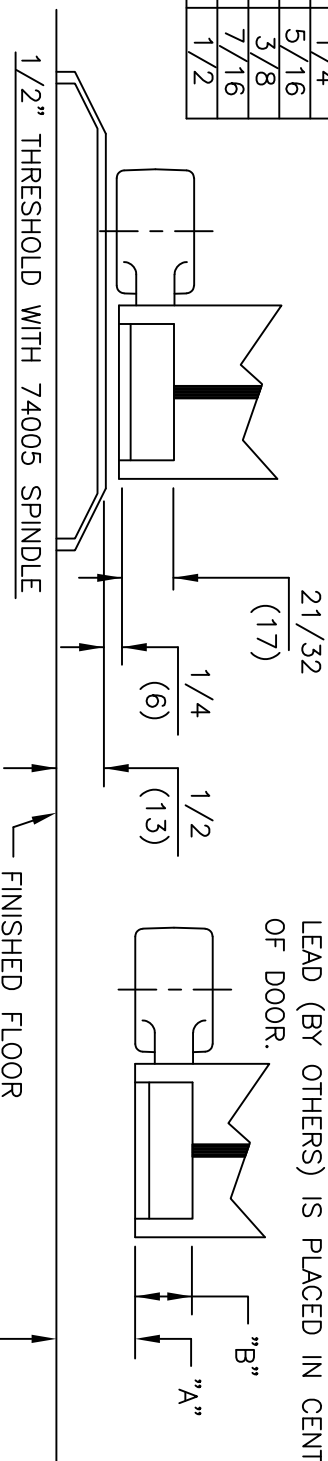
- 1.2.4 Install set screw.
- 1.2.5 Install cover cap.
- 1.2.6 Install cover over bottom arm with screw provided.

FOR 1/4-20 MACHINE SCREWS USE No.7 DRILL
FOR No.14 WOOD SCREWS USE 5/32" DRILL
EIGHT (8) HOLES IN DOOR

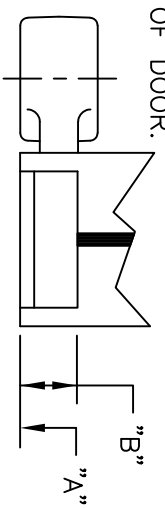


SPINDLE EXT.	"A" CLEARANCE	"B" MORTISE DEPTH
74003	3/8"	25/32"
74003	9/16"	19/32"
STD.74005	3/4"	19/32"
74007	7/8"	19/32"
74010	1"	19/32"
74012	1-1/16"	19/32"
74015	1-1/8"	19/32"
74020	1-3/8"	19/32"
74025	1-9/16"	19/32"
74030	1-3/4"	19/32"

DOOR THICKNESS	DIM "C"	DIM "D"
1-3/4"	1-1/4"	1/4"
2"	1-3/8"	5/16"
2-1/4"	1-1/2"	3/8"
2-1/2"	1-5/8"	7/16"
3"	2"	1/2"



- NOTES
- DO NOT SCALE DRAWING.
 - DIMENSIONS ARE IN INCHES/(MM).
 - RIGHT HAND DOOR SHOWN.
 - BEVEL HEEL EDGE OF DOOR 1/8" IN 2".
 - ALL NECESSARY REINFORCEMENT FOR ARM BY OTHERS.
 - FOR DOOR THICKNESS NOT LISTED USE NEXT SIZE NARROWER ARM.
 - TEMPLATE BASED ON THE ASSUMPTION THAT LEAD (BY OTHERS) IS PLACED IN CENTER OF DOOR.



ITEM No. 75343, 75343-2, 75343-2 1/4, 75343-2 1/2, 75343-3
3/4" OFFSET HEAVY DUTY BOTTOM ARM FOR LEAD LINED OR EXTRA HEAVY DOORS
FOR NON-FIRE OR 3HR. RATED DOORS
FOR USE WITH 7471HD FLOOR BEARING

