

DO NOT REPRODUCE
CONTACT CUSTOMER SUPPORT
1-800-906-4526

BACK SET
SEE NOTE #3

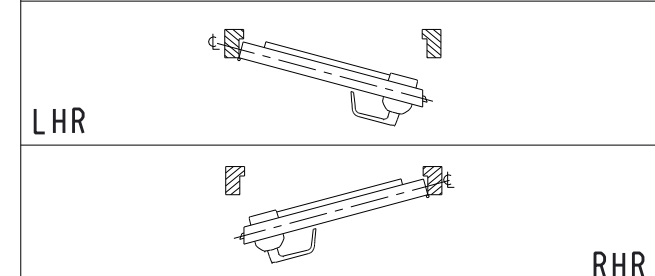
DOOR
INSIDE

DOOR
OUTSIDE

- NOTES:
- FOR DIMENSIONS AND TOLERANCES REFER TO CORRESPONDING DOOR PREPARATION DRAWING 1P#.
 - FOR EXIT DEVICE AND MORTISE LOCK CUT-OUT REFER TO EXIT DEVICE MANUFACTURER INSTALLATION INSTRUCTIONS.
 - BACKSET SHOWN FOR REFERENCE ONLY, ADJUST BACKSET TO EXIT DEVICE MANUFACTURER INSTALLATION INSTRUCTIONS.
 - HOLES A: FROM THE INSIDE OF THE DOOR, DRILL HOLES (SEE TABLE)
 - SYMBOLS: - ∇ DEEP
- ϕ CENTER LINE OF DOOR
- \emptyset DIAMETER
- \rightarrow NOT TO SCALE
 - GROOVE TO DO ONLY ON SOLID DOORS. TO PASS WIRES INSIDE THE DOOR FOR HOLLOW DOORS.
 - ALL DIMS INCHES [mm]

HOLE ID	DIM INCH/(mm)	∇ INCH/(mm)	COMMENTS
A	\emptyset 5/16 (7,95)	∇ 3/4 (19.05)	SEE NOTE #4
B	\emptyset 1/2 (12,7)	*	-
C	\emptyset 1 (25,4)	*	SEE NOTE #2
D	\emptyset 3/4 (19.05)	*	-
E	\emptyset 3/4 (19.05)	∇ 3/4 (19.05)	-
F	\emptyset 1/4 (6.35)	∇ 1/4 (6.35)	-
X	1/4 (6.35)	∇ 1/4 (6.35)	SEE NOTE #6

* UNLESS OTHERWISE NOTED, DRILL HALF DOOR THICKNESS ON BOTH SIDES.

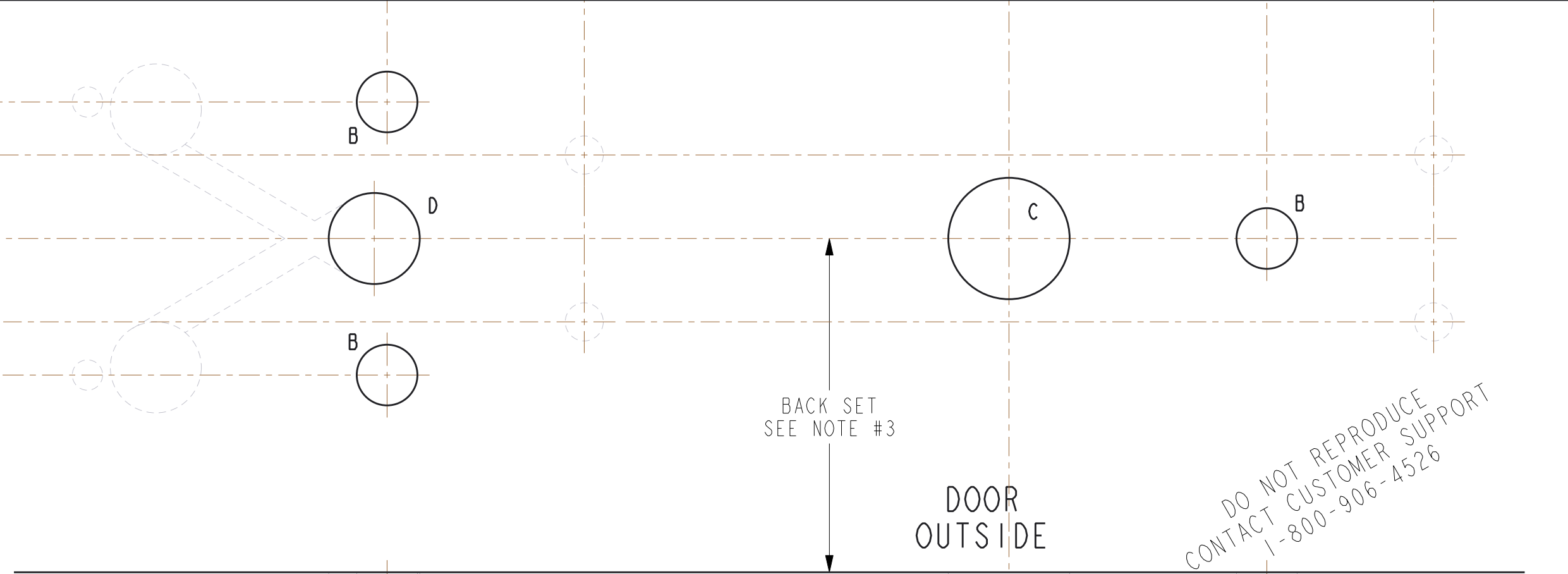


E7900 LOCK SERIES
DRILLING TEMPLATE
DETEX 10/F10/20/F20
VON DUPRIN 98/99/9827/9927
PRECISION 21/FL21/22/FL22

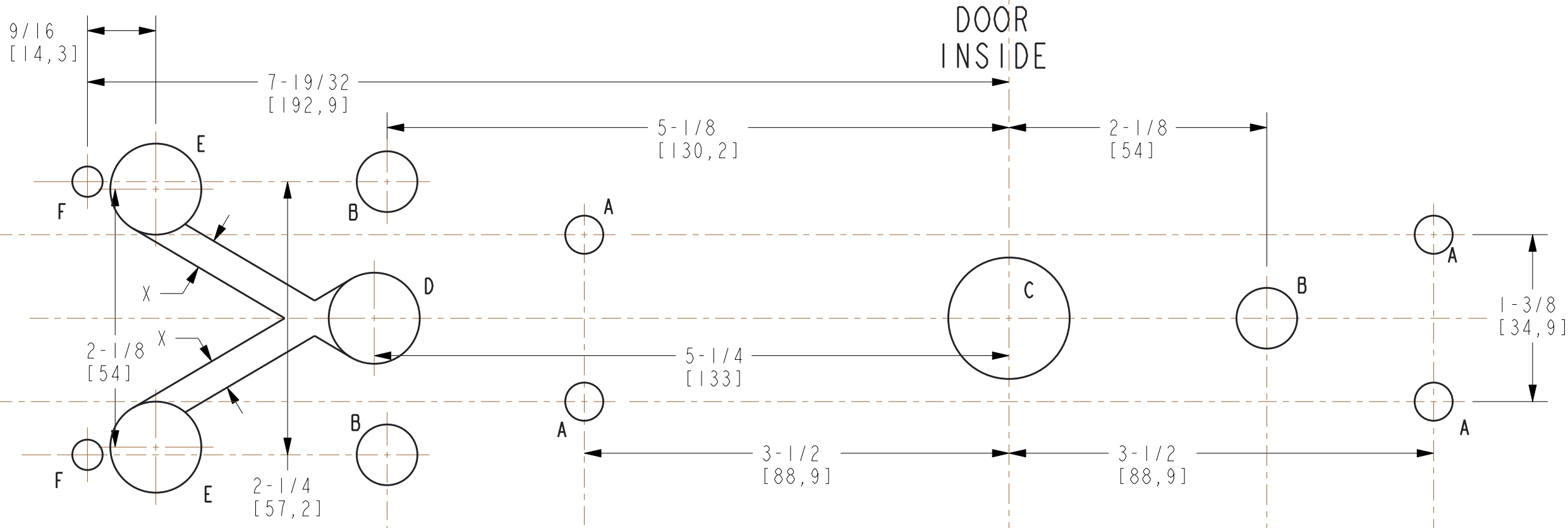
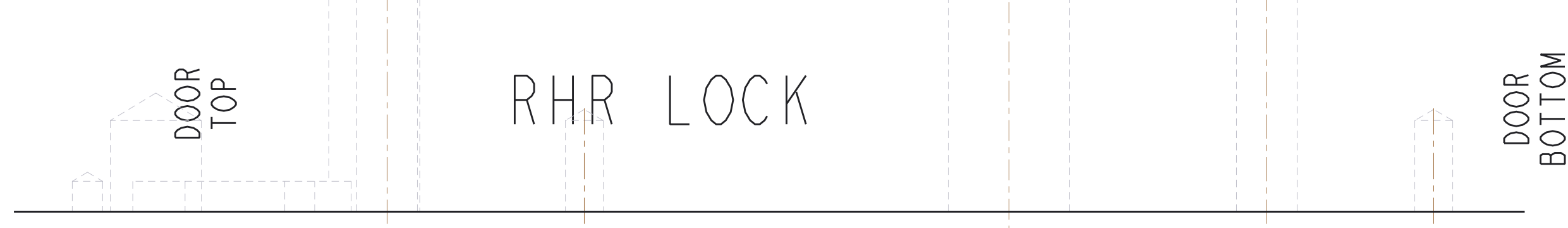


www.kabalodgingsupport.com

SHEET	DATE	UNE VERSION FRANCAISE DE CE DOCUMENT EST DISPONIBLE SUR DEMANDE.
1 OF 2	24SE2018 ECN 16871	DT-516401 REV-1



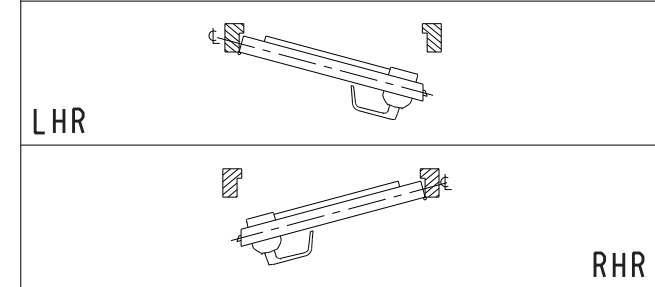
DO NOT REPRODUCE
CONTACT CUSTOMER SUPPORT
1-800-906-4526



- NOTES:
- 1- FOR DIMENSIONS AND TOLERANCES REFER TO CORRESPONDING DOOR PREPARATION DRAWING 1P#.
 - 2- FOR EXIT DEVICE AND MORTISE LOCK CUT-OUT REFER TO EXIT DEVICE MANUFACTURER INSTALLATION INSTRUCTIONS.
 - 3- BACKSET SHOWN FOR REFERENCE ONLY, ADJUST BACKSET TO EXIT DEVICE MANUFACTURER INSTALLATION INSTRUCTIONS.
 - 4- HOLES A: FROM THE INSIDE OF THE DOOR, DRILL HOLES (SEE TABLE)
 - 5- SYMBOLS: - ∇ DEEP
- \ominus CENTER LINE OF DOOR
- \varnothing DIAMETER
- \rightarrow NOT TO SCALE
 - 6- GROOVE TO DO ONLY ON SOLID DOORS. TO PASS WIRES INSIDE THE DOOR FOR HOLLOW DOORS.
 - 7- ALL DIMS INCHES [mm]

HOLE ID	DIM INCH/(mm)	∇ INCH/(mm)	COMMENTS
A	$\varnothing 5/16$ (7,95)	$\nabla 3/4$ (19.05)	SEE NOTE #4
B	$\varnothing 1/2$ (12,7)	*	-
C	$\varnothing 1$ (25,4)	*	SEE NOTE #2
D	$\varnothing 3/4$ (19.05)	*	-
E	$\varnothing 3/4$ (19.05)	$\nabla 3/4$ (19.05)	-
F	$\varnothing 1/4$ (6.35)	$\nabla 1/4$ (6.35)	-
X	1/4 (6.35)	$\nabla 1/4$ (6.35)	SEE NOTE #6

* UNLESS OTHERWISE NOTED, DRILL HALF DOOR THICKNESS ON BOTH SIDES.



E7900 LOCK SERIES
DRILLING TEMPLATE
DETEX 10/F10/20/F20
VON DUPRIN 98/99/9827/9927
PRECISION 21/FL21/22/FL22

dormakaba

www.kabalodgingsupport.com

SHEET 2 OF 2	DATE 24SE2018	UNE VERSION FRANCAISE DE CE DOCUMENT EST DISPONIBLE SUR DEMANDE.	
	ECN 16871	DT-516401	REV-1