

# Integrated door closer ITS 96 EN 3-6 with backcheck



## Slide channel interior door closer system with hydraulic backcheck

### From swing to safety

Simply slows better in any kind of weather: The new integrated door closer ITS 96 EN 3-6 with hydraulic backcheck prevents exterior doors from being thrown open in an uncontrolled manner, thus offering effective protection against damage and accidents.

#### Improved protection of people and property:

- Precisely slows the opening speed progressively from a defined angle.
- Protects the facade, walls and people standing behind the door from damage or injury.

#### Reliable functionality and improved safety:

- Delay of the door can be regulated using a valve.
- The hydraulic backcheck intensifies with increasing door acceleration.

#### Temperature-resistant and long-lasting construction:

- Patented filter element prevents oil contamination and thus ensures a longer service life.
- Maximum protection from oil leaks thanks to coordinated material expansion.

# ITS 96 EN 3-6 with backcheck

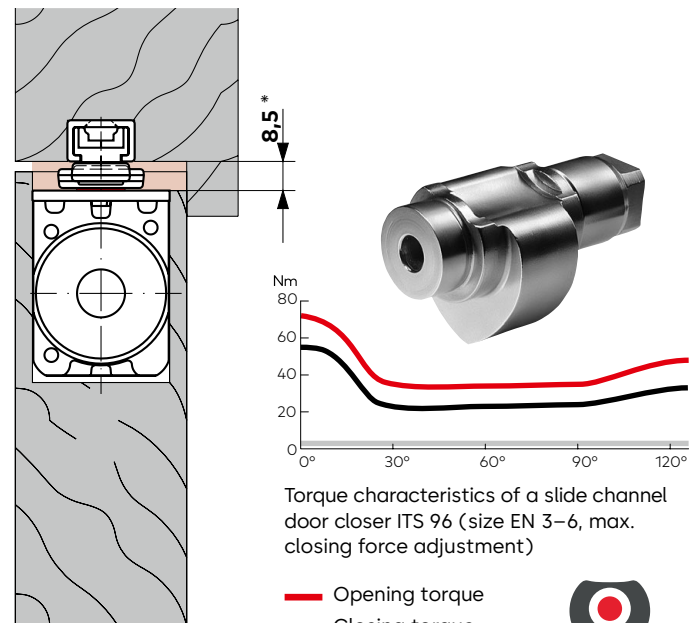
Data and features		ITS 96
Continuously adjustable closing force	Size	EN 3-6 BC
General doors <sup>1)</sup>	≤ 1,400 mm	●
<b>NEW</b> Exterior doors, opening outwards		●
Fire and smoke doors <sup>1)</sup>	≤ 1,400 mm	●
Door leaf thickness	≥ 50 mm	●
Max. door leaf weight in kg		250
Closing force continuously adjustable using adjustment screw		●
Closing time continuously adjustable using valve		●
Latching action continuously adjustable using valve		●
Mechanical cushioned limit stay		●
<b>NEW</b> Hydraulic backcheck		●
Mechanical hold-open unit		○
Max. door opening angle (depends on door design)		About 120°
Compatibility with accessories		●
Weight in kg		2.5
Dimensions in mm	Length	291
	installation depth	39,5
	height	51
Door closers tested in accordance with EN 1154		
Hold-open systems tested in accordance with EN 1155		
Door coordinators tested in accordance with EN 1158		
CE identification for construction products UKCA		
Suitable for barrier-free structures as per German Industrial Standards (DIN) 18040 and SPEC 1104 (CEN/TR 15894)		
● yes – no ○ option		

<sup>1)</sup> The next door closer size should be selected or a greater closing force set for very high and heavy doors and those which need to close against strong wind pressure.

## Item numbers

52100250	ITS 96 EN 3-6 BC standard axis
52110250	ITS 96 EN 3-6 BC 1.5 mm extended axis
52120250	ITS 96 EN 3-6 BC 4 mm extended axis
52130250	ITS 96 EN 3-6 BC 8 mm extended axis

\* The following spaces can be realised with different spindle lengths: 8.5 | 12 | 12.5 | 16 | 16.5 | 20  
For more information see item numbers overview.



Any questions? We would be happy to advise you.