

# MUTO Premium

DORMOTION (DMSC) Kit Installation -  
Self-Closing XL 120

**Installation instructions -  
supplemental**

936018- 02-2018

| EN |

dormakaba 

# Table of contents

<b>1</b>	<b>Technical specifications</b>	<b>3</b>
1.1	Overview	3
	1.1.1 General information	3
	1.1.2 Intended use	3
	1.1.3 Glass requirements/fittings/mounting	3
	1.1.4 Requirements for glass panel	3
	1.1.5 Safety instructions	3
	1.1.6 Symbols used - Safety/Installation	3
	1.1.7 Maintenance, care, repair	3
	1.1.8 Disposal	3
<b>2</b>	<b>Installation instructions</b>	<b>4</b>
2.1	Overall	4
2.2	Remove cable	5
2.3	Remove existing self-close cable connector	5
2.4	Install new self-close cable connector	6
2.5	Secure opening cycle unit	7
2.6	Engage opening cycle unit	8

# 1 Technical specifications

## 1.1 Overview

These instructions are for installation of MUTO Premium XL 120 Self-Closing Opening Cycle ONLY panels for the following mounting and style versions:

### 1. Wall, Ceiling or Glass Mounts

#### 1.1.1 General information

- dormakaba requires use of tempered laminated or tempered monolithic glass.
- dormakaba glass hardware is not suitable for harsh environment; for example, applications where chemicals (e.g. chlorine) are used such as indoor swimming pools, saunas, or salt-water pools.
- Ensure proper installation of limiting stop to prevent door from opening too far.

#### 1.1.2 Intended use

- For sliding doors in dry indoor areas only.
- For manual slow opening and closing only.

#### 1.1.3 Glass requirements/fittings/mounting

- The substructure/wall must be able to bear permanent loads, be level (max. tolerance: 1/16" [2] per 39" [1m]).
- Fasteners must be sufficiently dimensioned for the substructure/wall and weight of the door.
- When adjusting glass elements, always stick to the required clearance for the respective hardware. Adjust clearance so glass does not come in contact with any hard surfaces such as glass, metal or concrete.
- Do not use excessive force when installing the glass (avoid over tightening screws.)

#### 1.1.4 Requirements for glass panel

- Heat-soaked thermally tempered safety glass
- Clamping area must be flat and uncoated (no self-cleaning coating!)
- Never use glass with conchoidal fractures and/or damaged edges.

#### 1.1.5 Safety instructions

- Installation requires two people.
- Always wear protective clothing.
- Only properly qualified and specially trained staff are authorized to mount dormakaba glass hardware.
- Due to crushing hazards and possible injury caused by breakage of glass during mounting, corresponding protective clothing (especially gloves and protective goggles) is required.

- Never clamp metal fitting hardware directly to glass surface.
- Never use clamping products on surfaces with self-cleaning coatings.

#### 1.1.6 Symbols used - Safety/Installation



#### CAUTION

Mounting components must meet the requirements of substructure/wall and door weight. Please read the technical information for fittings.



#### WARNING

Risk of breaking glass. When installing the door, support the door panel with a block of wood or similar object.



#### TIPS AND RECOMMENDATIONS

Information note



#### CLOSING EDGE OF DOOR

#### 1.1.7 Maintenance, care, repair

- Immediately replace damaged parts.
- Always use original dormakaba parts.
- Clean clamping area with alcohol-based standard commercial cleaning agent before mounting the glass hardware.
- Use a damp cloth for occasional cleaning.
- Always use silicone - and oil-free cleaners (e.g. acetone).
- Check glass hardware at regular intervals for proper positioning, smooth operation and correct adjustment.
- High traffic door systems require inspection by properly qualified staff (specialized companies or installation firms.)

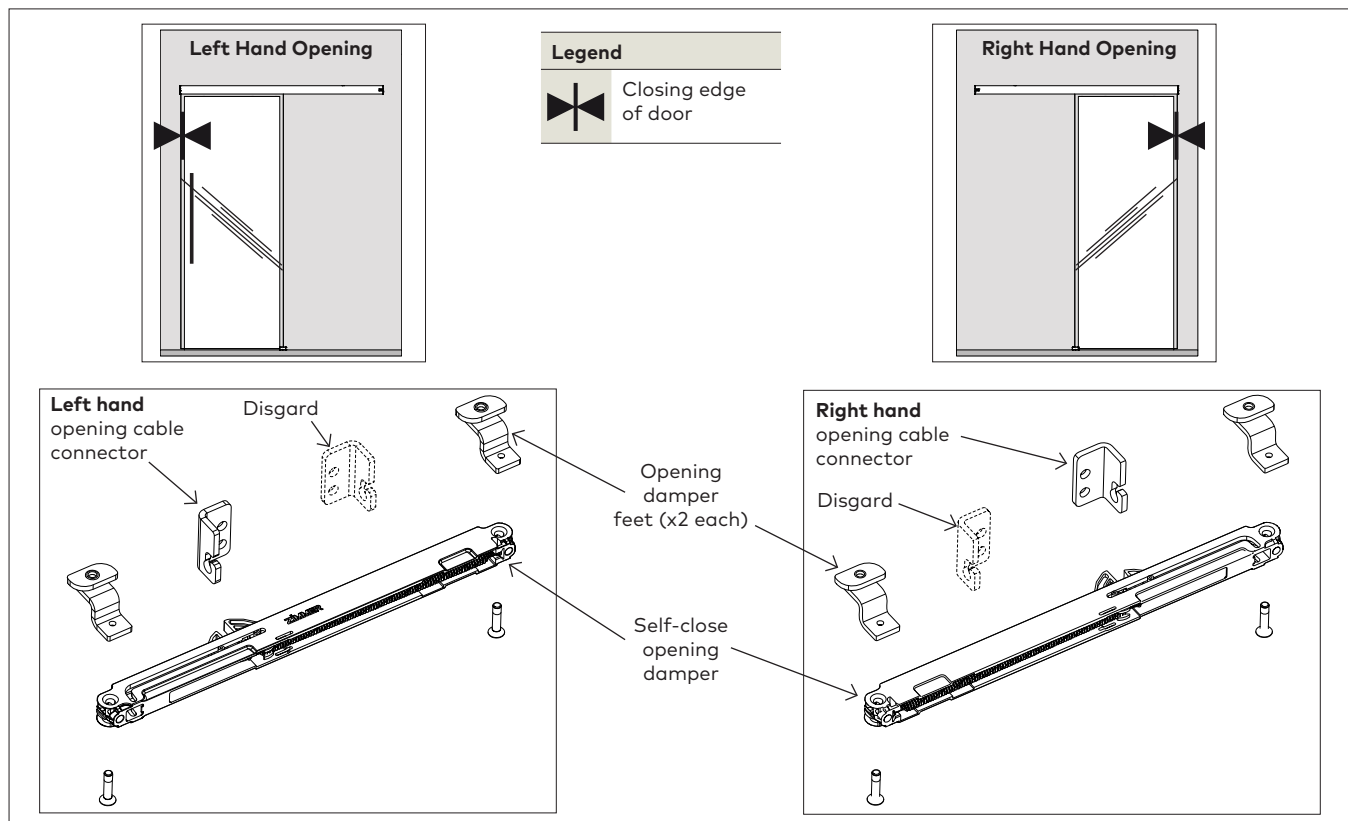
#### 1.1.8 Disposal

Disposal in accordance with local, state and national regulations.

# 2 Installation instructions

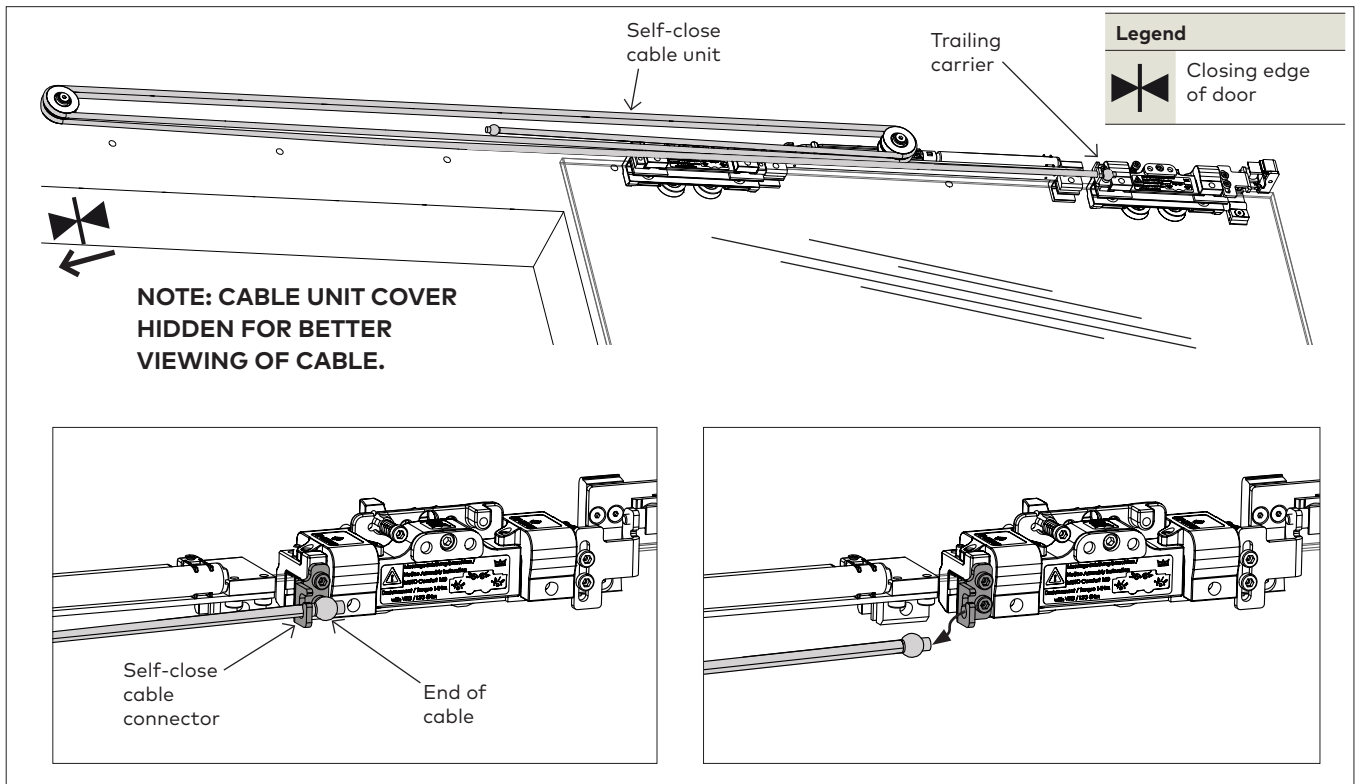
## 2.1 Overall

Fig 1



## 2.2 Remove cable

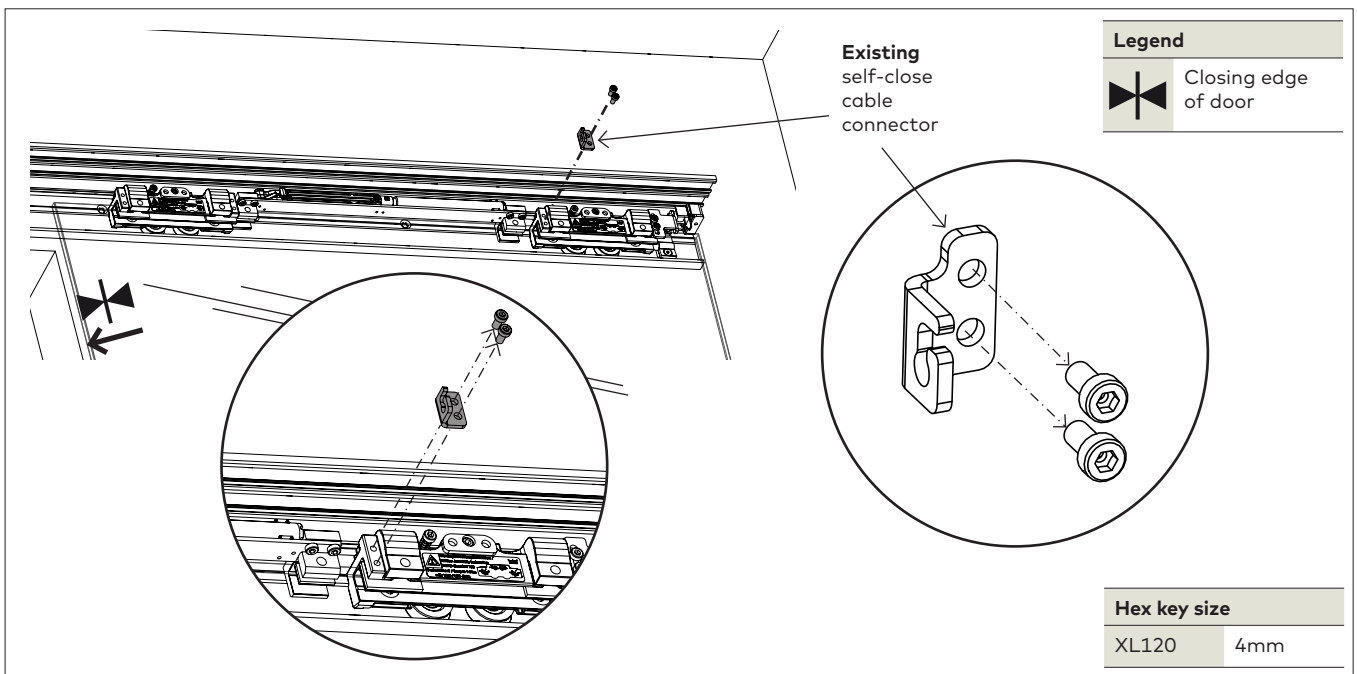
Fig 2



2.2.1 On the **TRAILING CARRIER**: Remove "end of cable" from self-close cable connector.

## 2.3 Remove existing self-close cable connector

Fig 3

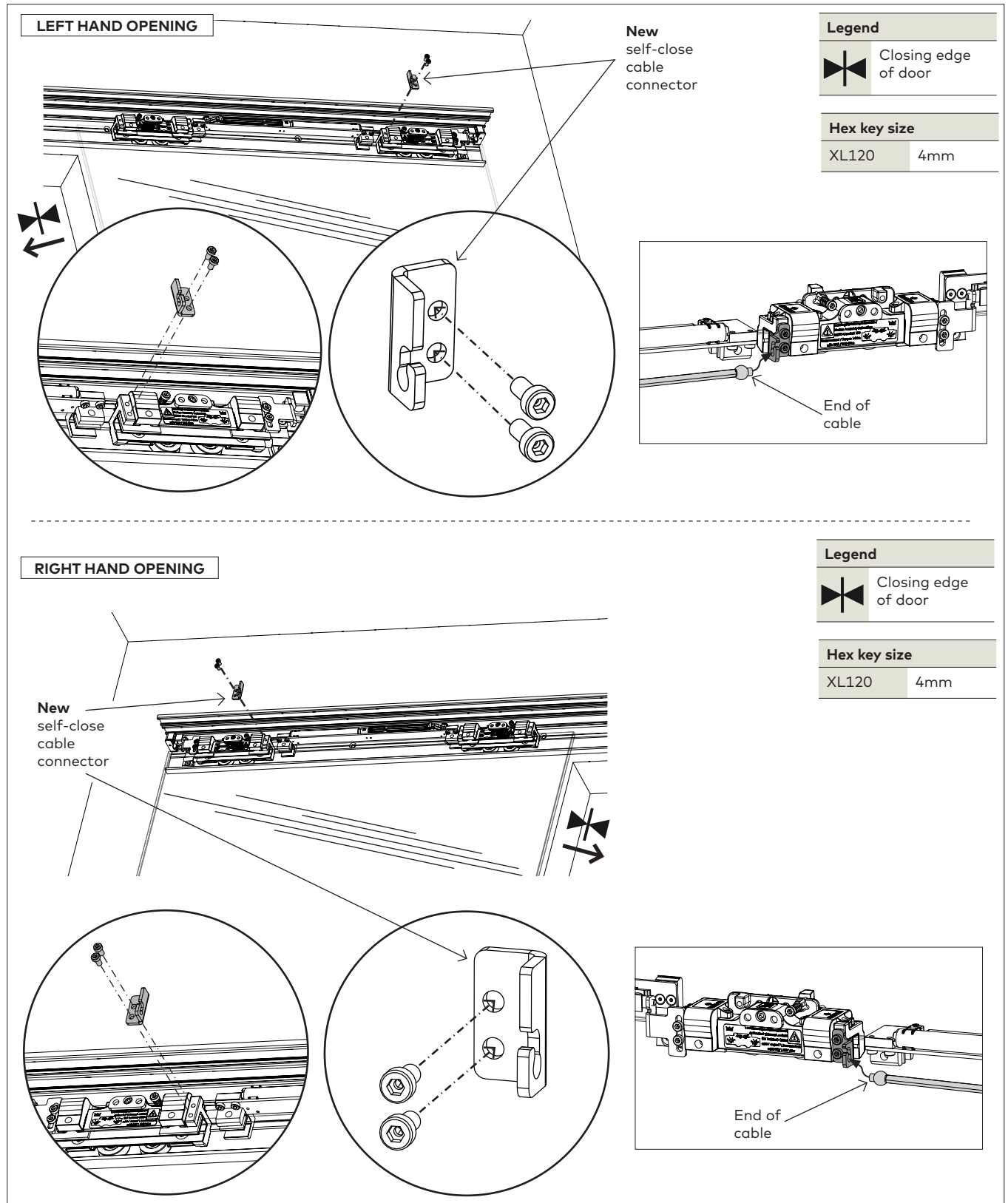


2.3.1 Remove **existing** cable connector.

2.3.2 Save fasteners for later use.

## 2.4 Install new self-close cable connector

Fig 4

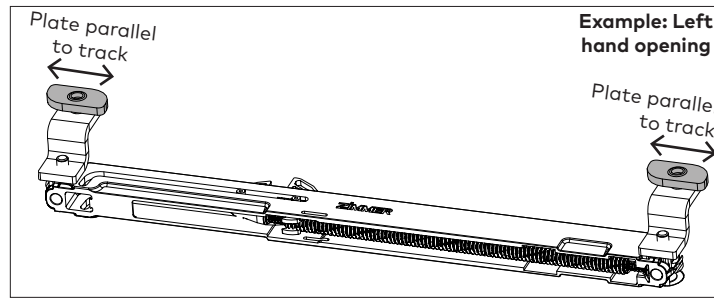


- 2.4.1 Install **new** cable connector to trailing carrier.
- Secure using existing fasteners.
  - Tighten at 2.5 ft lbs [3Nm].

- 2.4.2 Reconnect "end of cable" to the new cable-connector.

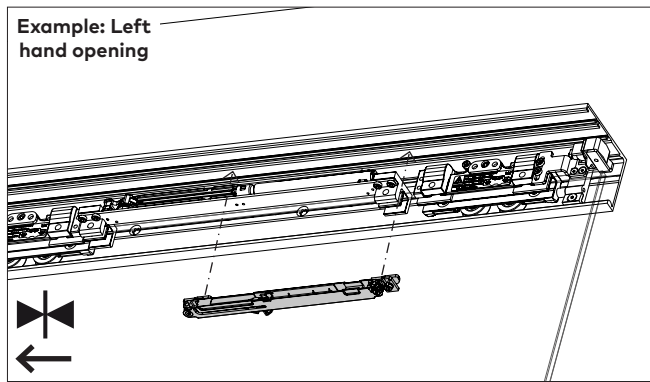
## 2.5 Secure opening cycle unit

Fig 5

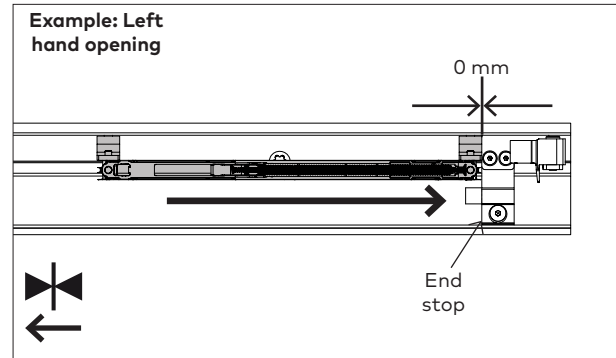
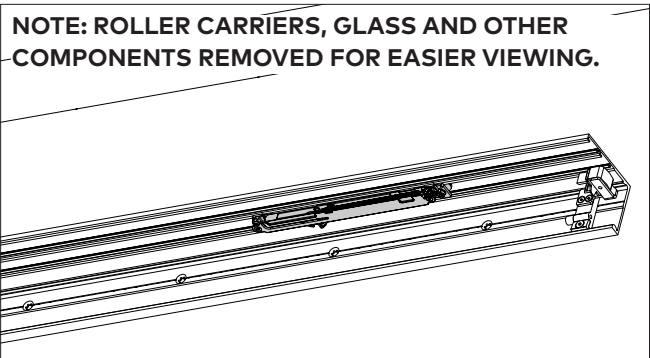
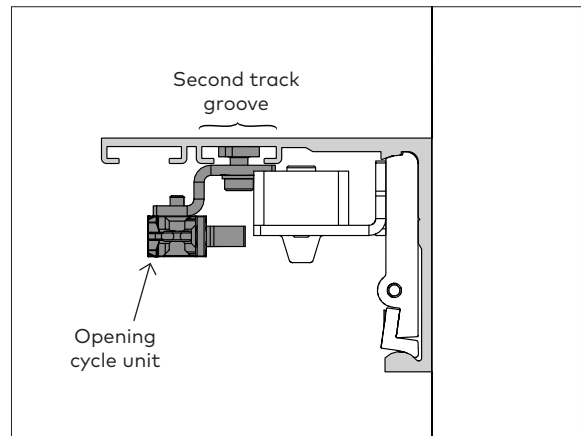


Legend	
	Closing edge of door
Hex key size	
XL120	4mm

- 2.5.1 Assemble dampener.
- Reference Fig. 1 for proper handing orientation.
- 2.5.2 Loosen hex screws on plates.
- Plates should start out parallel to track.



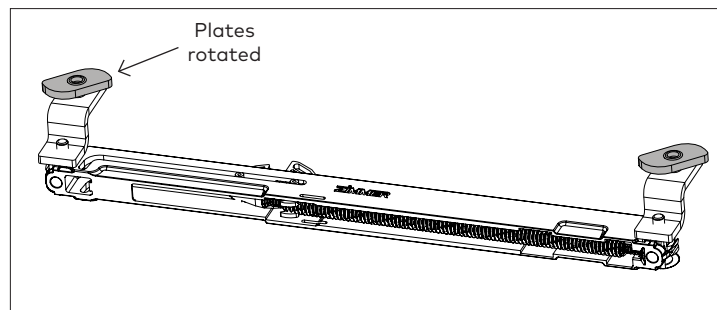
2.5.3 Place self-close opening cycle unit into second groove of track.



2.5.4 Slide opening cycle unit towards opening side of door.

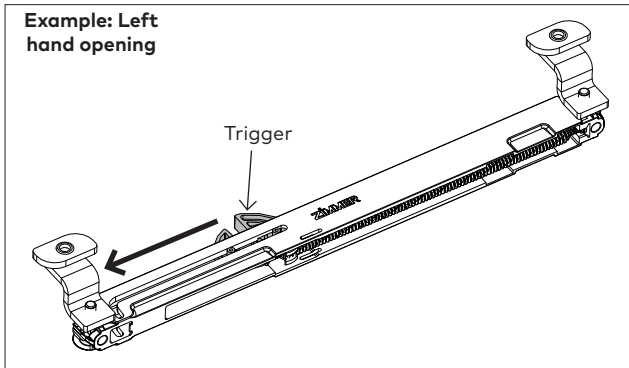
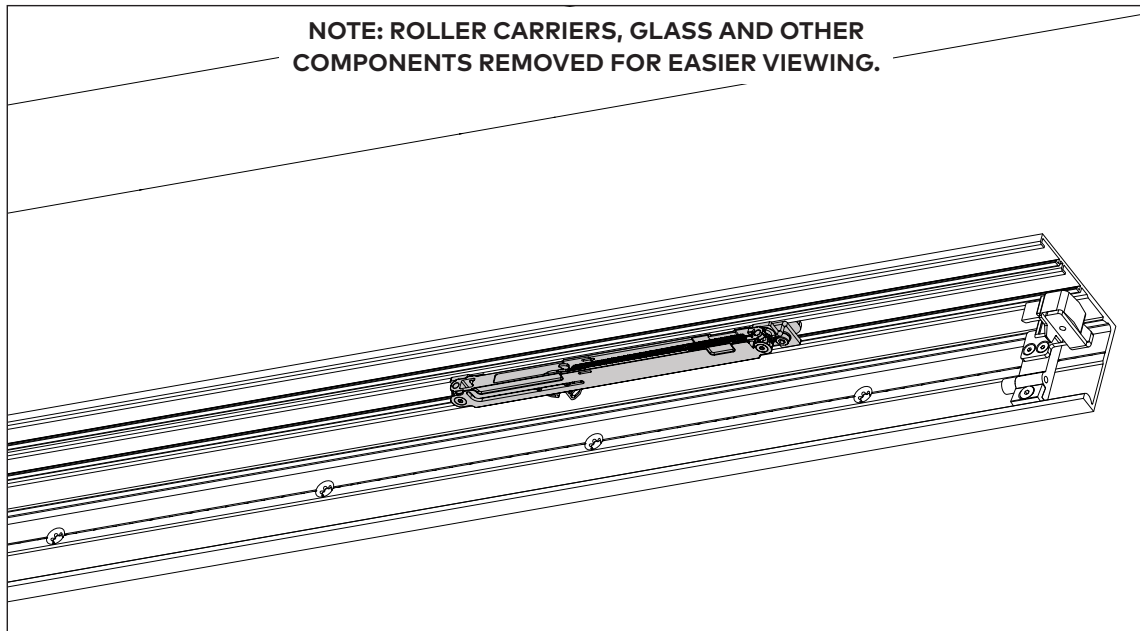
- Ensure there is no gap between end stop and dampener.

- 2.5.5 Rotate plates inside track to engage.  
 2.5.6 Tighten to 1 ft lb [1.5Nm].

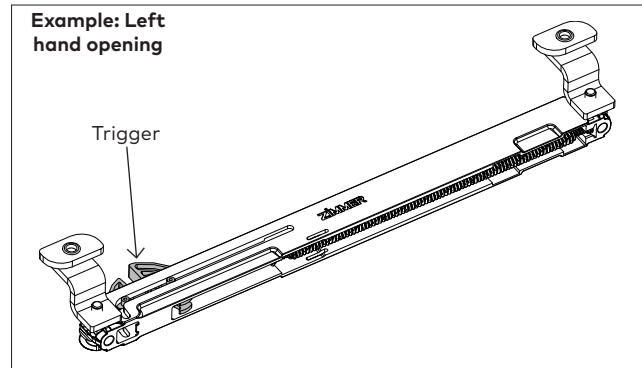


## 2.6 Engage opening cycle unit

Fig 6



2.6.1 Slide trigger away from spring to engage.



2.6.2 Operate door as normal.



