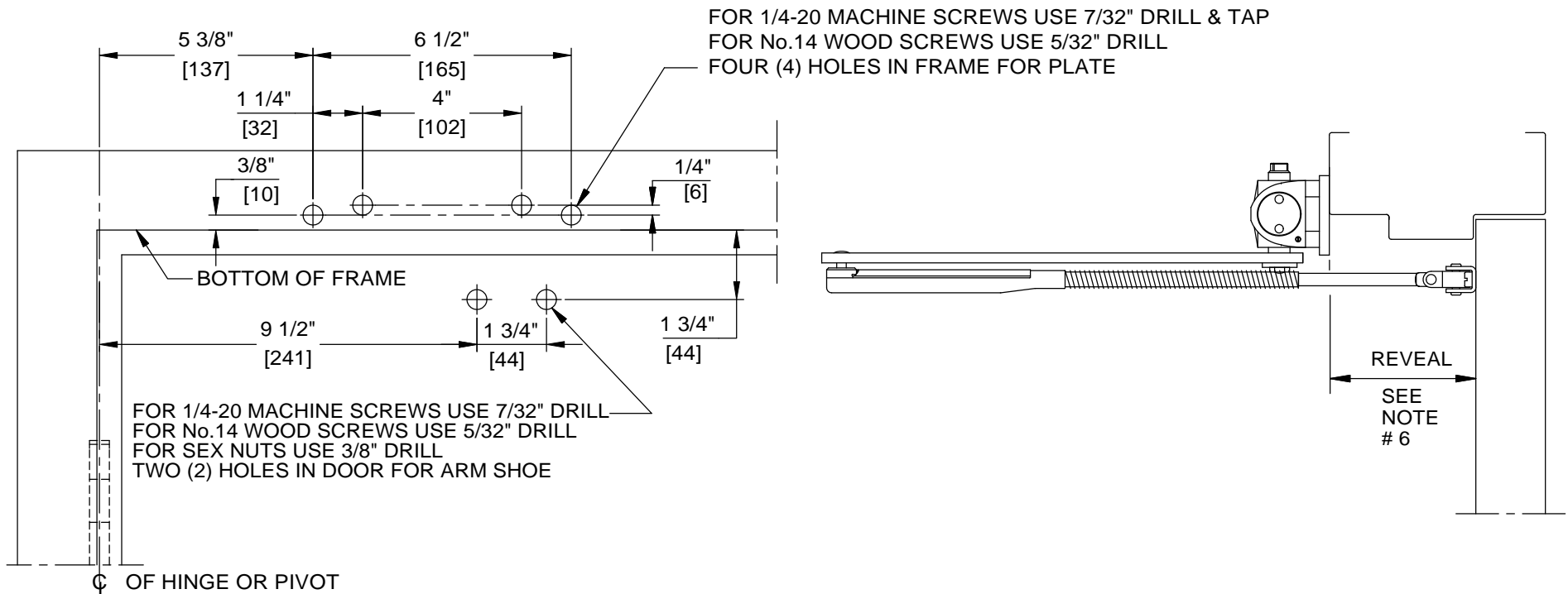


NOTES:

1. DO NOT SCALE DRAWING.
2. DIMENSIONS ARE IN INCHES/(MM).
3. LEFT HAND DOOR SHOWN.
4. CAUTION: SEX NUTS ARE REQUIRED FOR ATTACHMENT OF COMPONENTS TO UNREINFORCED DOORS AND TO WOOD OR PLASTIC FACED COMPOSITE TYPE FIRE DOORS, UNLESS AN ALTERNATIVE METHOD IS IDENTIFIED IN THE INDIVIDUAL DOOR MANUFACTURER'S LISTINGS.
5. MAX. OPENING IS 180°.
6. SEE CATALOG FOR REVEAL INFORMATION.



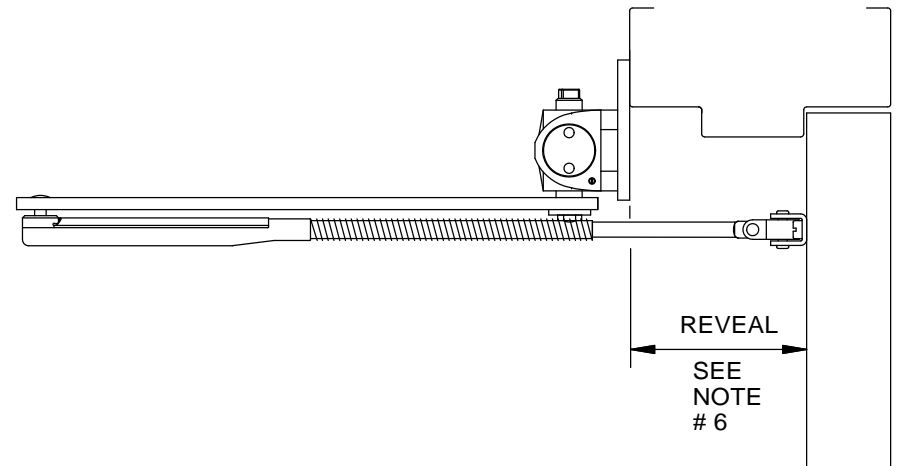
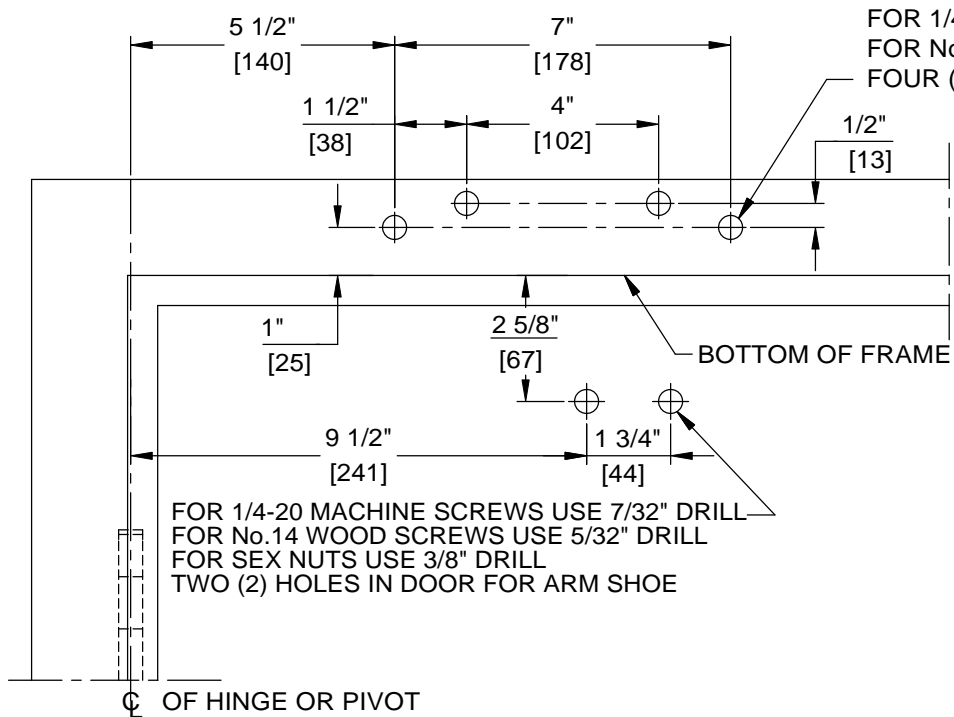
DOOR CLOSER MODELS: 7302 - 7305 ARNPJ (NHO)
 TOP JAMB INSTALLATION (PUSH SIDE MOUNT)
 WITH PLATES BP73, BP86, BP86FC



DORMA Architectural Hardware
 Reamstown, PA 17567

NOTES:

1. DO NOT SCALE DRAWING.
2. DIMENSIONS ARE IN INCHES/(MM).
3. LEFT HAND DOOR SHOWN.
4. CAUTION: SEX NUTS ARE REQUIRED FOR ATTACHMENT OF COMPONENTS TO UNREINFORCED DOORS AND TO WOOD OR PLASTIC FACED COMPOSITE TYPE FIRE DOORS, UNLESS AN ALTERNATIVE METHOD IS IDENTIFIED IN THE INDIVIDUAL DOOR MANUFACTURER'S LISTINGS.
5. MAX. OPENING IS 180°.
6. SEE CATALOG FOR REVEAL INFORMATION.



DOOR CLOSER MODELS: 7302 - 7305 ARNPJ (NHO)
 TOP JAMB INSTALLATION (PUSH SIDE MOUNT)
 WITH PLATES DP73, DP86



DORMA Architectural Hardware
 Reamstown, PA 17567