



TV

**Electrical door locking
elements**

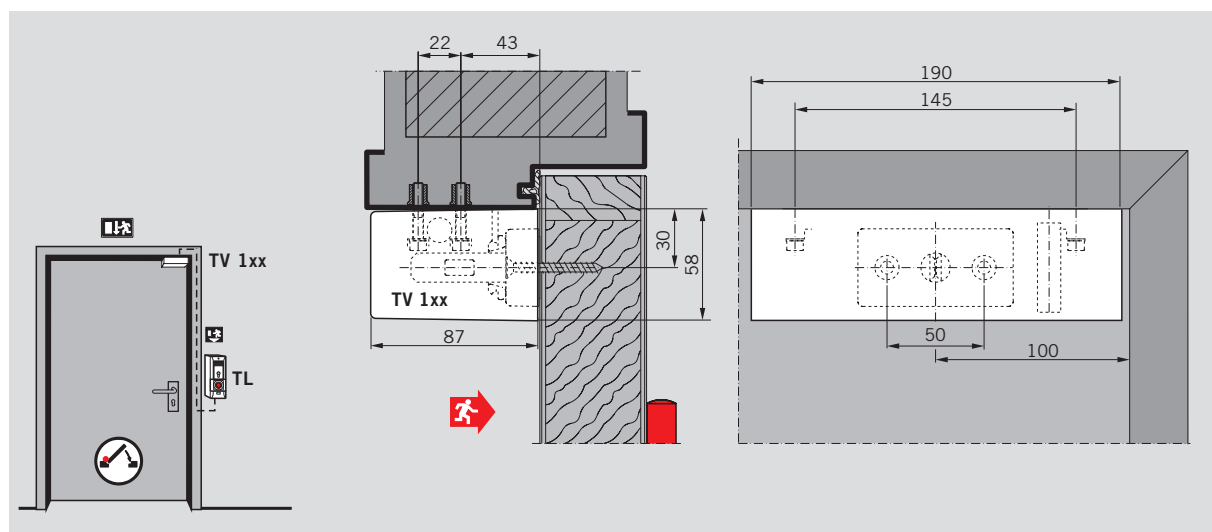
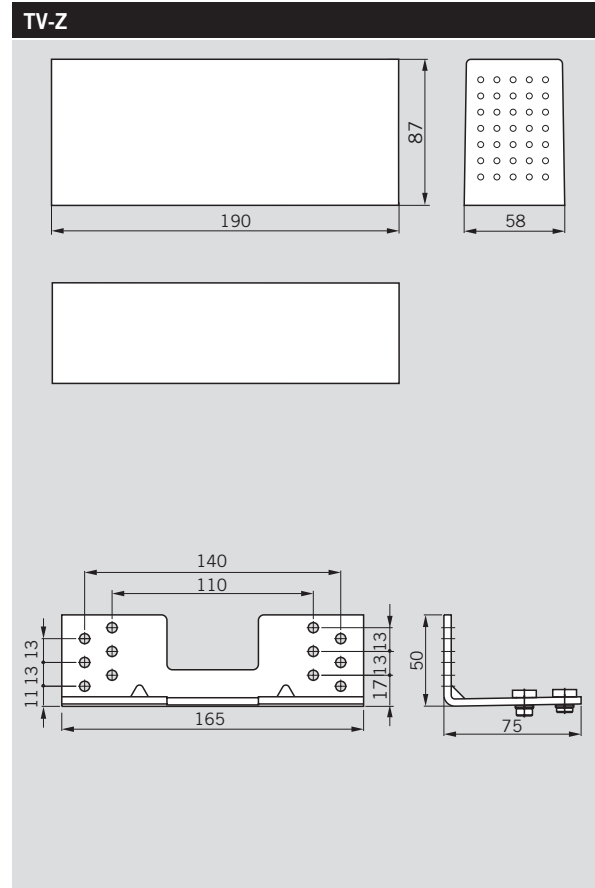
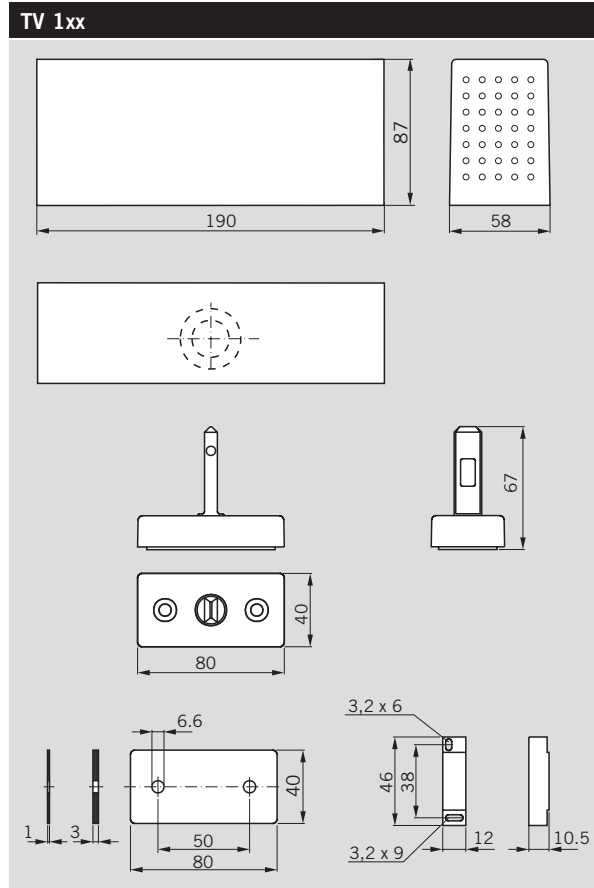
Electro-mechanical door locking element for frame installation. Prepared for connection to door terminals with control and interface board TL-S 5 N/TL-S 55.

F Approval certification

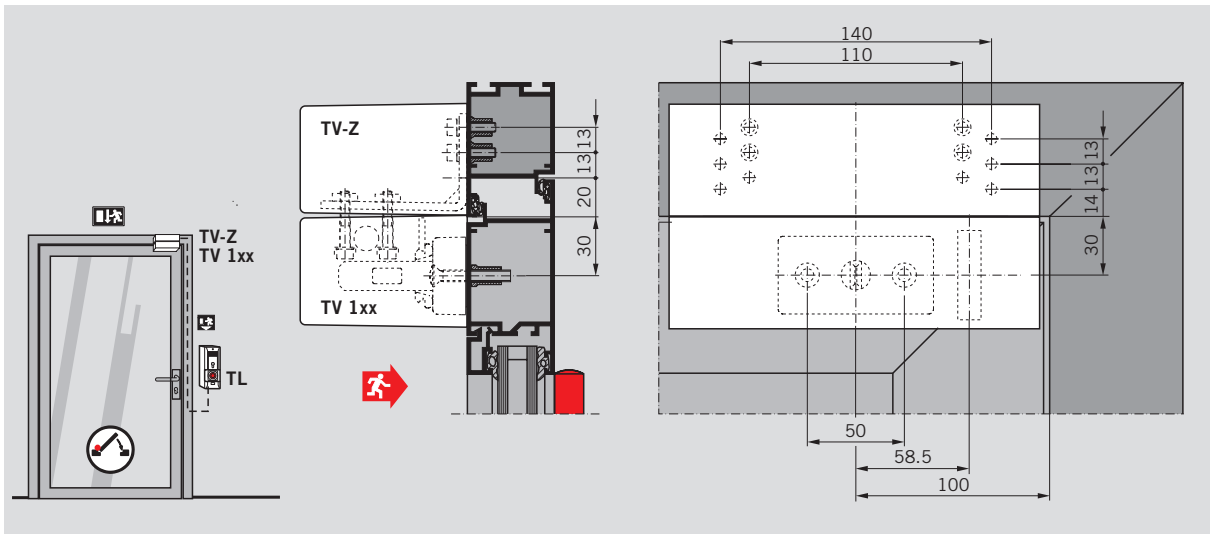
Installation on fire and smoke check doors is only permitted where these doors are proven to be suitable and the associated service qualification assessment criteria are satisfied.

Benefits

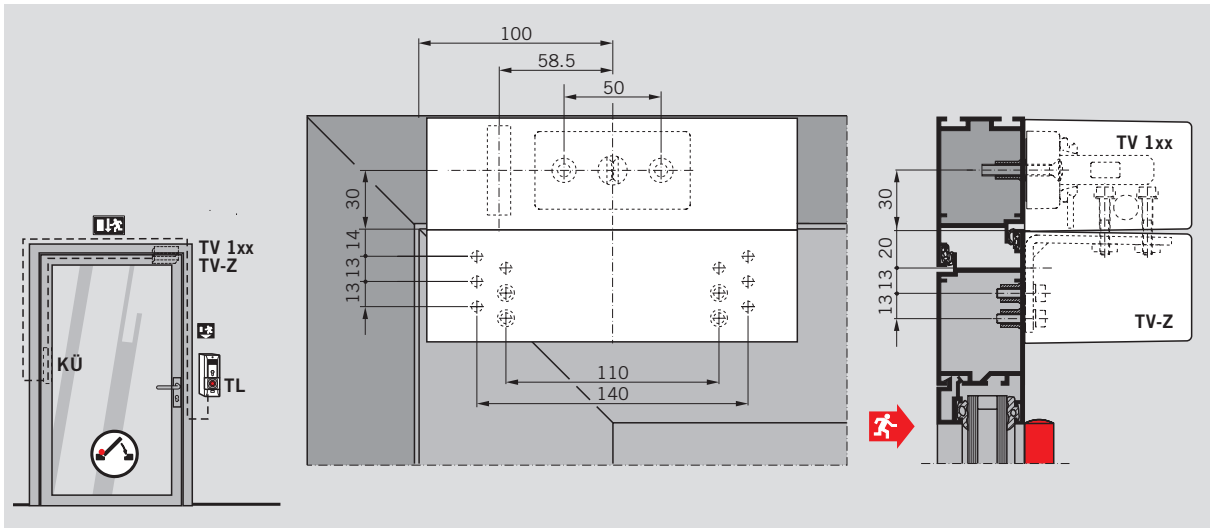
- Immediate, jam-free unlocking action.
- Equipped with anti-tamper and door monitoring contacts.
- Max. holding force in accordance with "Requirements for electrical locking systems on doors in emergency escape routes" (German EItVTR code of practice).



Installation in the frame reveal, outward opening

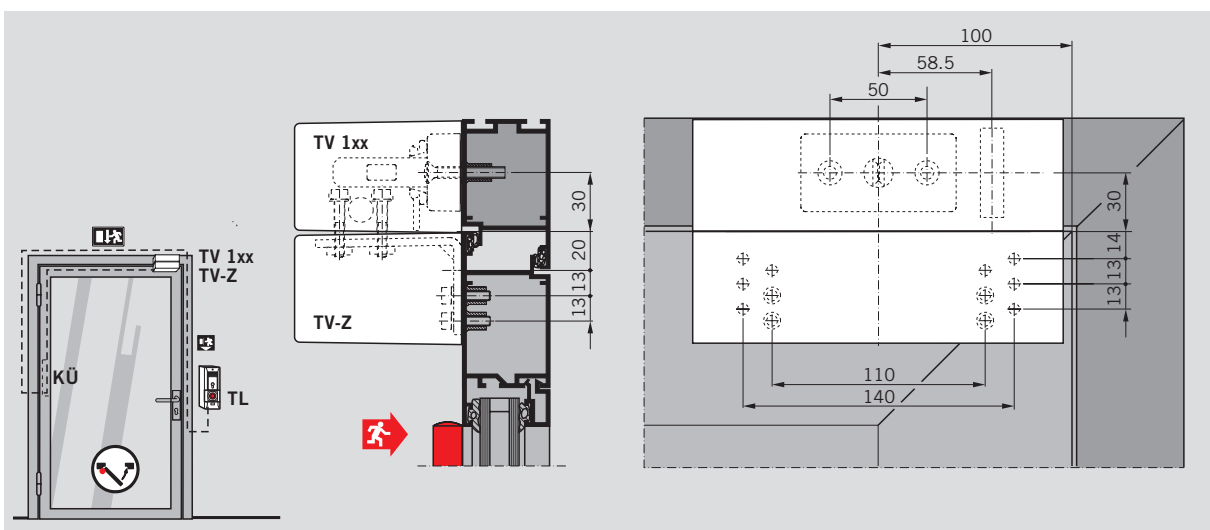


Installation on a flush-closing door with TV-Z on the frame, **outward opening**



Installation on flush-closing door with TV-Z on the door leaf (no headroom restriction), **outward opening**

Note: Units must be provided with a weather guard if installed outdoors.

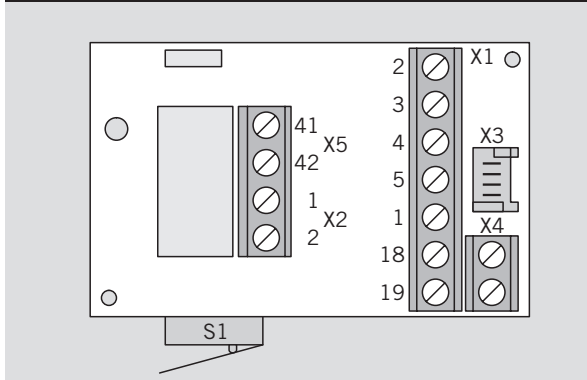


Installation on flush-closing door with TV-Z on the door leaf (no headroom restriction), **inward opening**

Technical data

Power supply:	24 V DC, +15/-10%
Current input:	approx. 250 mA
Contact rating:	24 V, 500 mA (door contact) 24 V, 500 mA inductive / 24 V, 1 A ohmic (feedback signal "lock/unlocked")
Anti-tamper line:	3.3 kOhm terminal resistor
Recommended cabling:	I-Y (ST) Y4 x 2 x 0.6 mm

Terminal assignments and functions



X1	2	←	+ 24 V DC	Switched supply ("Emergency Off"-circuit)	
	3	⊥	GND		
	4	→	NC		"TV activated" feedback signal in conjunction with RZ 1x and TL-S, red LED shows
	5	→	NO		"TV de-activated" feedback signal in conjunction with RZ 1x and TL-S, green LED shows
	1	←	C		+ 24 V DC
	18	→	C		Floating feedback "door open/closed"
19	→	NC			
X5	41	→	3,3 k	Anti-tamper line	
	42	→	C		

- X2** Connection to internal door contact.
- X3** Connection to lock solenoid.
- X4** Connection to internal door contact.
- S1** Housing anti-tamper contact.

Contact definition: Door closed, TV activated

Specification text
DORMA TV 1xx

Electro-mechanical door locking element (failsafe principle) with anti-tamper and door monitoring contacts, integrated positive-action monitoring for active/inactive status. Housed in anti-corrosion and anti-tamper metal enclosure, spray painted.

Supply includes mountings, shim set and full set of screw fixings.


Max. holding force per "Requirements for electrical locking systems on doors in emergency escape routes" (German EltVTR code of practice) with load-independent jam-free unlocking.

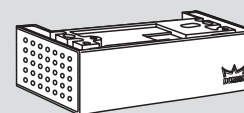
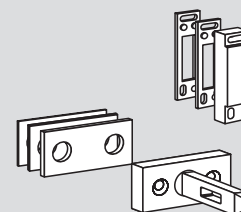
For connection to door terminals with control and interface board TL-S 5 N/TL-S 55

Power supply: 24 V DC +/-10%
 Current input max.: approx. 250 mA
 Contact rating: 24 V DC, 500 mA inductive
 24 V DC, 1.0 A ohmic
 Recommended cabling: I-Y (ST) Y4 x 2 x 0.6 mm
 Dimensions (W x H x D): approx. 190 x 58 x 87 mm

- TV 101 silver
- TV 103 dark brown
- TV 104 stainless steel "Design" finish
- TV 111 white (sim. to RAL 9016)
- TV 199 special colour


Order No.

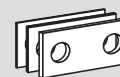

- 56022101  TV1xx
- 56022103
- 56022104
- 56022111
- 56022199


DORMA TV-Z 01

Shim set to compensate for installation tolerances when mounting the DORMA TV1xx electro-mechanical door locking element.

2 shims 1 mm thick, 1 shim 3 mm thick.

- 56520101  TV-Z01

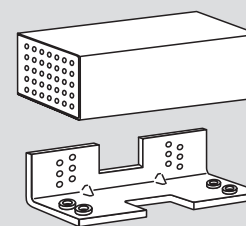

DORMA TV-Z 1xx

Mounting unit for installation of DORMA TV1xx electro-mechanical door locking element on flush-closing doors. Galvanised steel angle with spray-painted cover; screw fixings tamper-protected.

Dimensions (W x H x D): approx. 190 x 58 x 87 mm

- TV-Z 101 silver
- TV-Z 103 dark brown
- TV-Z 104 stainless steel "Design" finish
- TV-Z 111 white (sim. to RAL 9016)
- TV-Z 199 special colour

- 56522201  TV-Z1xx
- 56522203
- 56522204
- 56522211
- 56522299



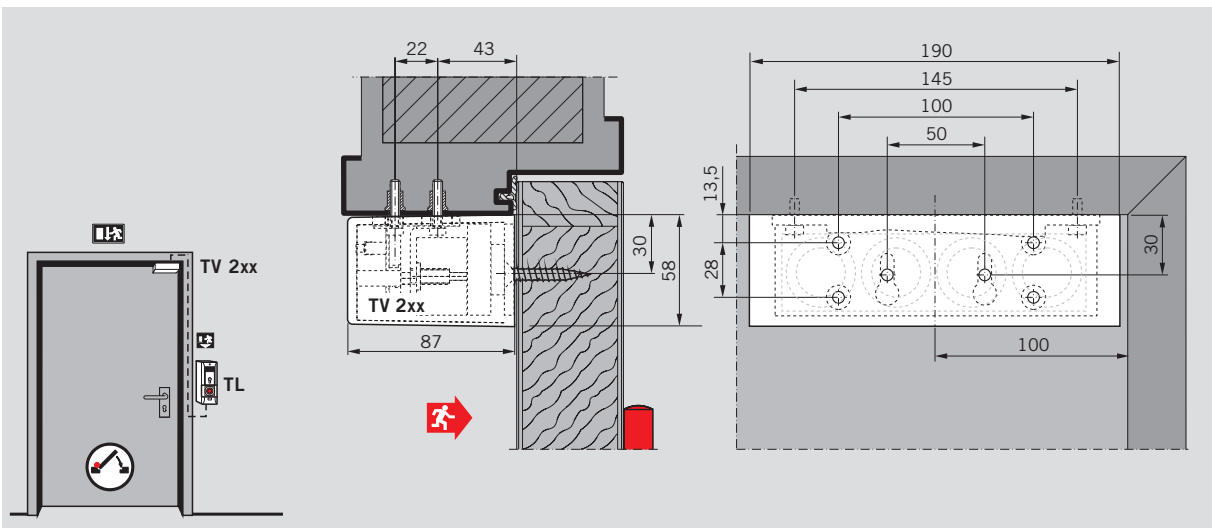
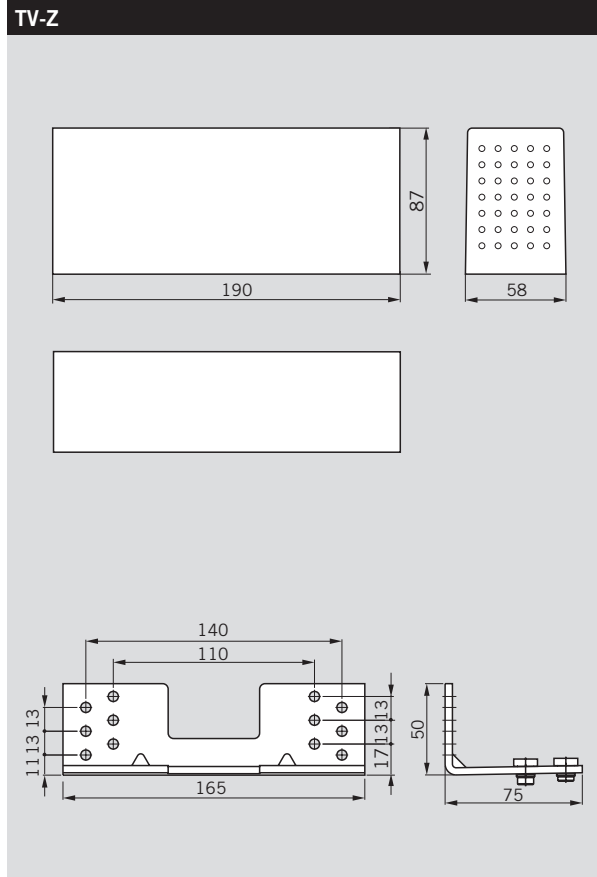
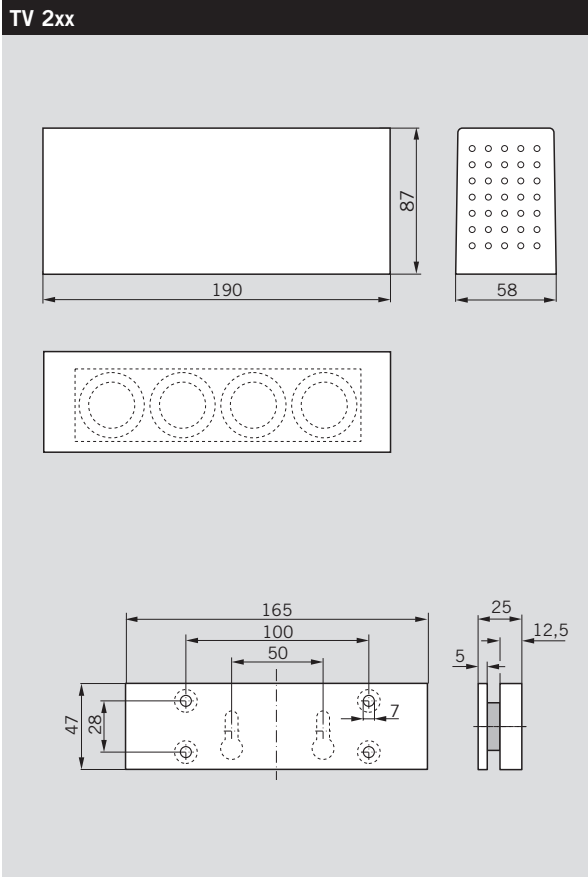
Electro-magnetical door locking element for frame installation. Prepared for connection to door terminals with control and interface board TL-S 5 N/TL-S 55.

F Approval certification

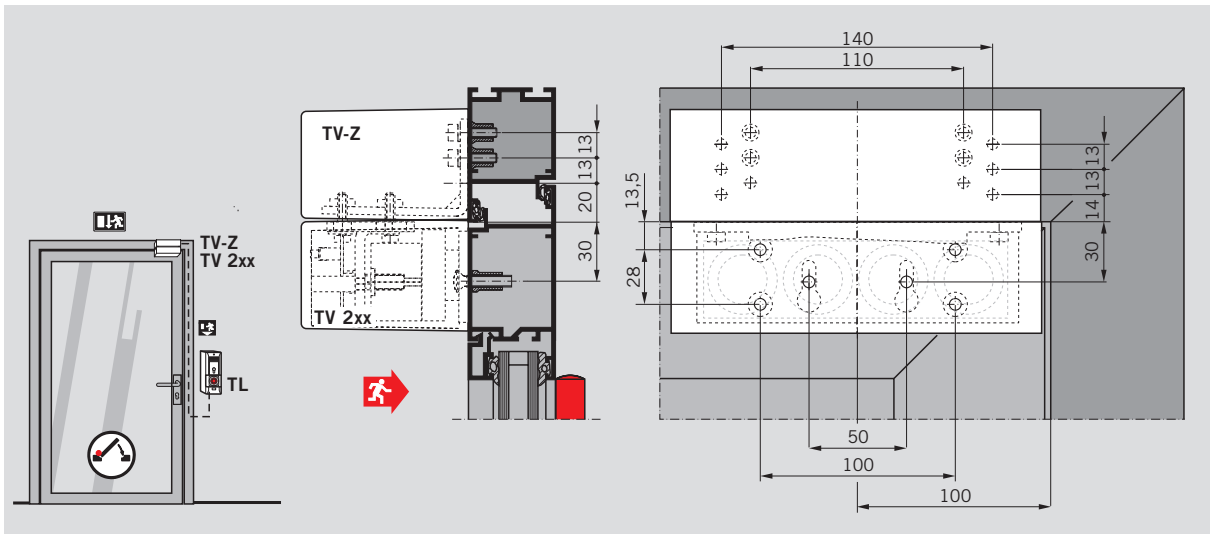
Installation on fire and smoke check doors is only permitted where these doors are proven to be suitable and the associated service qualification assessment criteria are satisfied.

Benefits

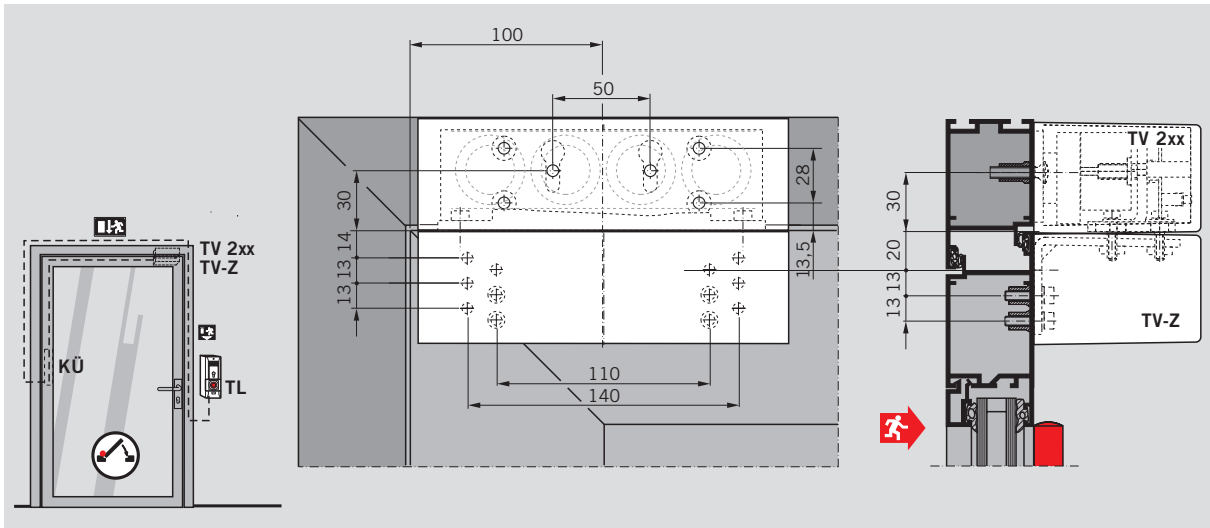
- Compact electromagnetic lock with high holding force.
- Equipped with anti-tamper and door monitoring contacts.
- Cardanic suspension and flexible adjustment.
- Max. holding force in accordance with "Requirements for electrical locking system on doors in emergency escape routes" (German EltVTR code practice).



Installation in the frame reveal, outward opening.

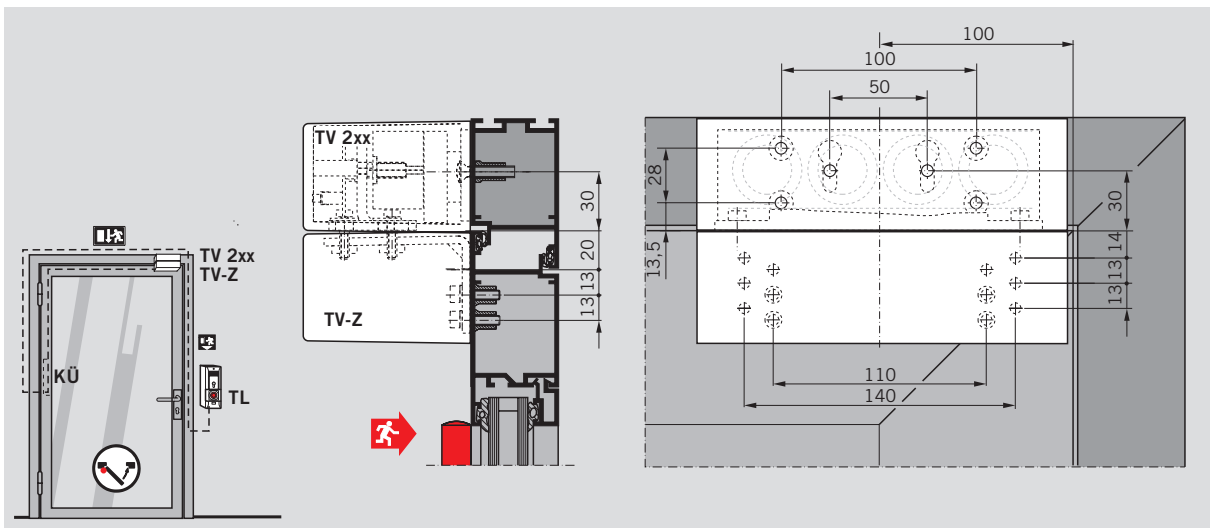


Installation on a flush-closing door with TV-Z on the frame, **outward opening**



Installation on a flush-closing door with TV-Z on the door leaf (no headroom restriction), **outward opening**

Note: Units must be provided with a weather guard if installed outdoors

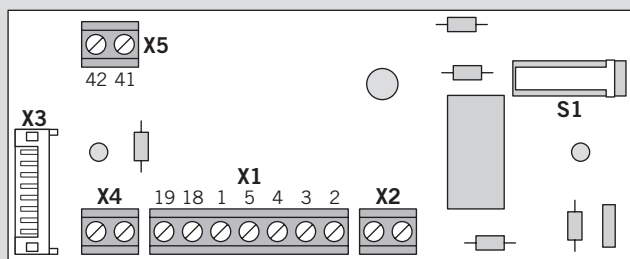


Installation on a flush-closing door with TV-Z on the door leaf (no headroom restriction), **inward opening**

Technical data

Power supply:	24 V DC, +15/-10%
Current input:	approx. 200 mA
Contact rating:	24 V, 500 mA (door contact) 24 V, 500 mA inductive / 24 V, 1 A ohmic (feedback signal "lock/unlocked")
Anti-tamper line:	3.3 kOhm terminal resistor
Recommended cabling:	I-Y (ST) Y4 x 2 x 0.6 mm

Terminal assignments and functions



X1	2	←	+ 24 V DC	Switched supply ("Emergency Off"-circuit) "TV activated" feedback signal in conjunction with RZ 1x and TL-S, red LED shows "TV de-activated" feedback signal in conjunction with RZ 1x and TL-S, green LED shows + 24 V DC
	3	⊥	GND	
	4	→	NC	
	5	→	NO	
	1	→	C	
	18	→	C	
	19	→	NC	
X5	41	→	3,3 kΩ	Anti-tamper line
	42	→	C	
X4		→		External door contact of jumper
		→		
X2				Connection to internal door contact.
X3				Connection to lock solenoid.
S1				Housing anti-tamper contact.

Contact definition: Door closed, TV activated

Specification text
DORMA TV 2xx

Electro-magnetical door locking element (failsafe principle) with anti-tamper and door monitoring contacts, integrated positive-action monitoring for active/inactive status. Housed in anti-corrosion and anti-tamper metal enclosure, spray painted.


Supply includes armature plate and full set of screw fixings. Max. holding force per "Requirements for electrical locking systems on doors in emergency escape routes" (German ElTVTR code of practice) with load-independent jam-free unlocking.

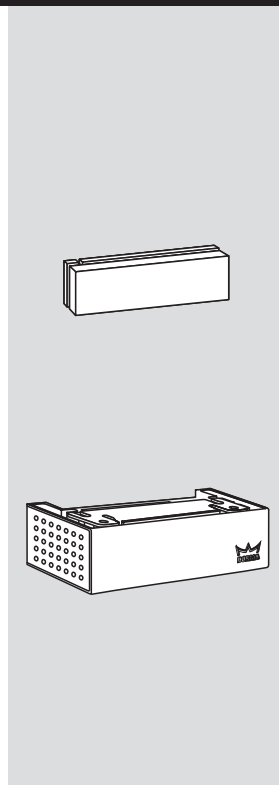
For connection to door terminals with control and interface board TL-S 5 N/TL-S 55.

Power supply: 24 V DC +/-10%
 Current input max.: approx. 200 mA
 Contact rating: 24 V DC, 500 mA inductive
 24 V DC, 1.0 A ohmic
 Recommended cabling: I-Y (ST) Y4 x 2 x 0.6 mm
 Dimensions (W x H x D): approx. 190 x 58 x 87 mm

- TV 201 silver
- TV 203 dark brown
- TV 204 stainless steel "Design" finish
- TV 211 white (sim. to RAL 9016)
- TV 299 special colour

Order No.



- 56022201  TV2xx
- 56022203
- 56022204
- 56022211
- 56022299

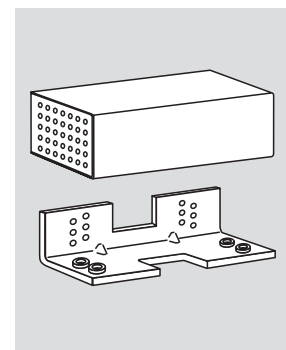

DORMA TV-Z 1xx

Mounting unit for installation of DORMA TV1xx electro-mechanical door locking element on flush-closing doors. Galvanised steel angle with spray-painted cover; screw fixings tamper-protected.

Dimensions (W x H x D): approx. 190 x 58 x 87 mm

- TV-Z 101 silver
- TV-Z 103 dark brown
- TV-Z 104 stainless steel "Design" finish
- TV-Z 111 white (sim. to RAL 9016)
- TV-Z 199 special colour

- 56522201  TV-Z1xx
- 56522203
- 56522204
- 56522211
- 56522299



Electro-mechanical door locking element for concealed frame installation. Prepared for connection to door terminals with control and interface board TL-S 5 N/TL-S 55.

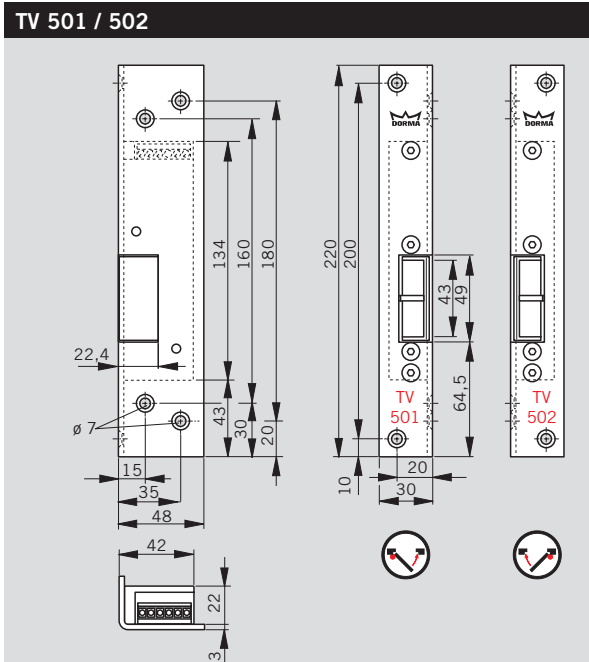
F Approval certification

Installation on fire and smoke check doors is only permitted where these doors are proven to be suitable and the associated service qualification assessment criteria are satisfied.

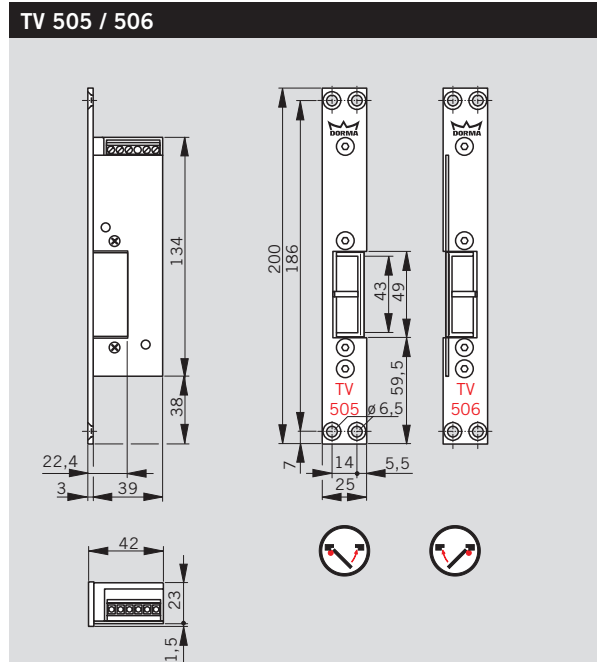
Benefits

- Concealed installation ensures effective anti-tamper protection.
- Integrated feedback contacts for monitoring of active/inactive status.
- Suitable for over-rebated and flush-closing doors.
- Max. holding force per "Requirements for electrical locking systems on doors in emergency escape routes" (German EITVTR code of practice).

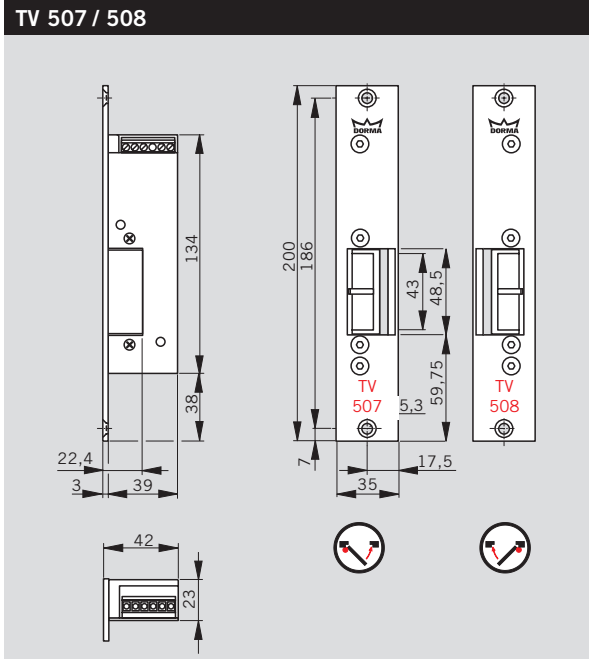
TV 501 / 502



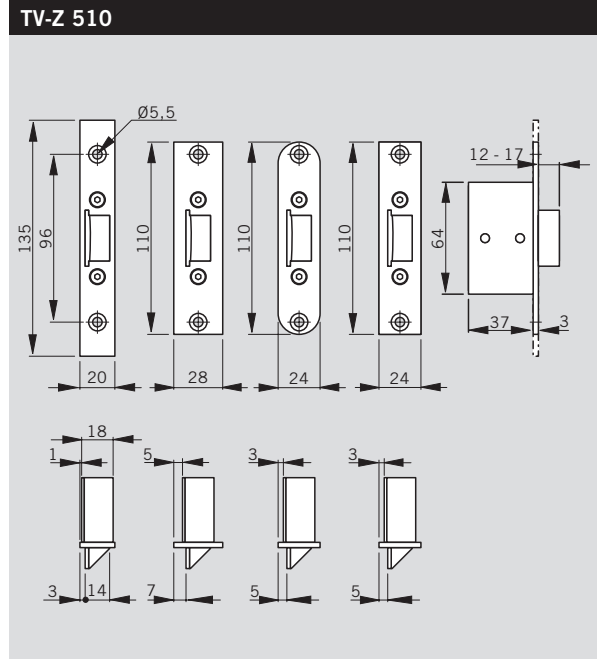
TV 505 / 506



TV 507 / 508



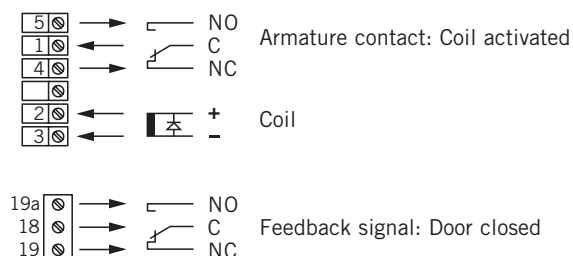
TV-Z 510



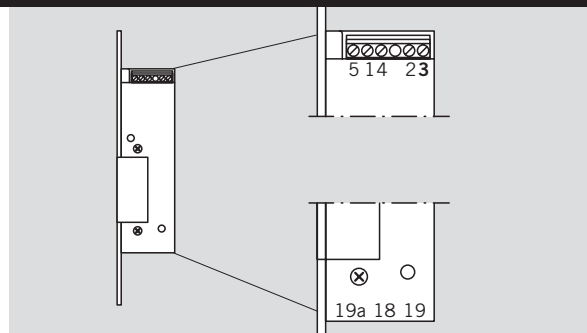
Technical data

Power supply:	24 V DC, +/- 10%	Contact rating:	24 V DC / 0.5 A inductive
Current input:	max. 58 mA		24 V DC / 1.0 A ohmic
		Recommended cabling:	I-Y (ST) Y4 x 2 x 0.6 mm

Terminal assignments and functions



Contact definition: Door closed, TV activated



Specification text

DORMA TV 5xx

Electro-mechanical door locking element with integrated feedback signal contacts for monitoring active/inactive status. Supplied with rebated or flanged strike plate and full set of screw fixings. Max. holding force per "Requirements for electrical locking systems on doors in emergency escape routes" (German EltVTR code of practice) with load-independent jam-free unlocking. For connection to door terminals with control and interface board TL-S 5 N/TL-S 55.

Power supply:	24 V DC +/-5%
Current input :	max. 58 mA
Contact rating:	24 V DC, 500 mA inductive 24 V DC, 1.0 A ohmic
Recommended cabling:	I-Y (ST) Y4 x 2 x 0.6 mm
Dimensions (W x H x D) without strike plate:	approx. 23 x 134 x 39 mm

With rebated strike plate 30 x 48 x 220 x 3 mm for over-rebated doors

- TV 501 ISO 6 (LH)
- TV 502 ISO 5 (RH)

15150124
15150224

With flanged strike plate 25 x 200 x 3 mm for flush-closing doors

- TV 505 ISO 6 (LH)
- TV 506 ISO 5 (RH)

15150524
15150624

With flanged strike plate 35 x 200 x 3 mm with latch guide for flush-closing doors

- TV 507 ISO 6 (LH)
- TV 508 ISO 5 (RH)

15150724
15150824

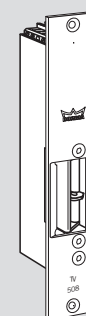
DORMA TV-Z 510

Mortise latch matched to TV 50x for installation in the door leaf.

- Forend dimensions: 24 x 110 x 3
- Forend dimensions: 24 x 110 x 3, edges rounded
- Forend dimensions: 28 x 110 x 3
- Forend dimensions: 20 x 135 x 3

15198124
15198224
15198128
15198120

Order No.





www.dorma.com

WN 053 566 51532, 05/09, TV, GB, x. XX. 05/09 · Subject to change without notice

DORMA GmbH + Co. KG
DORMA Platz 1
D-58256 Ennepetal
Phone +49 2333 793-0
Fax +49 2333 793-4950