



6400 Straight Round Entrance Pull Handles

dormakaba's straight round entrance pull handles epitomize the high quality ambitions of the dormakaba brand – designed for excellence down to the very last detail and exuding fine craftsmanship.

They offer genuine quality, characterised by clearly defined features – irrespective of shape or size.

Created in solid, premium 316 Marine Grade Stainless Steel offering superior corrosion resistance for internal and external use in high traffic buildings. The round section allows comfortable ease of use.

The 6400 entrance pull handles are an ideal choice for residential and commercial applications and are suitable for use on glass, timber and aluminium doors.

Features at a glance:

- 316 Marine Grade Stainless Steel
- Designed with your project's needs in mind
- High durability with concealed fixings
- Standard finishes: SSS and PSS
- Powdercoat and custom finishes available on request

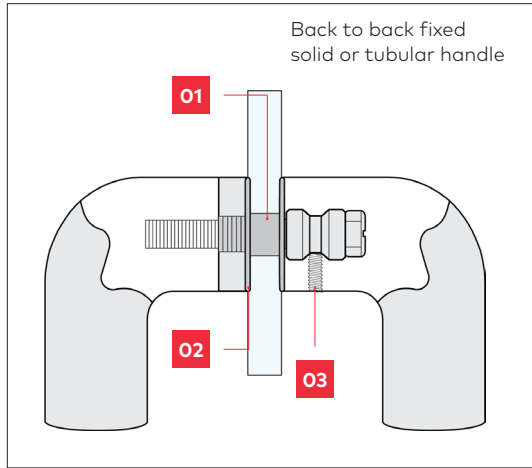
Please refer to ordering details for a range of optional accessories to suit:

- Back to back extended fixing for timber doors
- Back to back fixing for glass doors
- Disc fixing for timber doors
- Disc fixing for glass doors

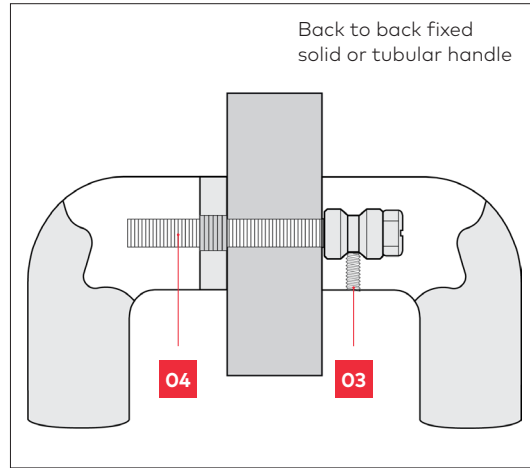
dormakaba Australia
Head Office
12-13 Dansu Court
Hallam VIC 3803
T: 1800 675 411
info.au@dormakaba.com
www.dormakaba.com.au

dormakaba New Zealand
Head Office
Building P, 61-69 Patiki Road
Avondale, Auckland 1026
T: 0800 436 762
info.nz@dormakaba.com
www.dormakaba.co.nz

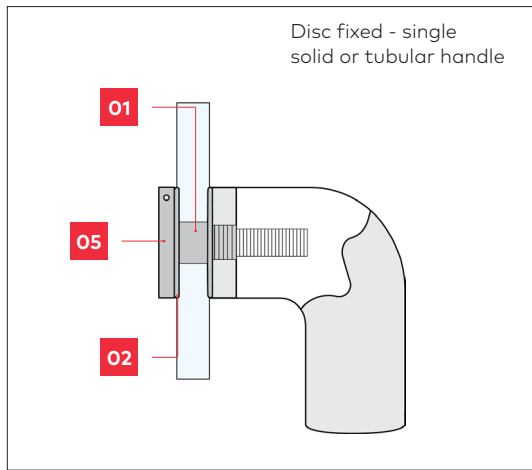
Fixing options



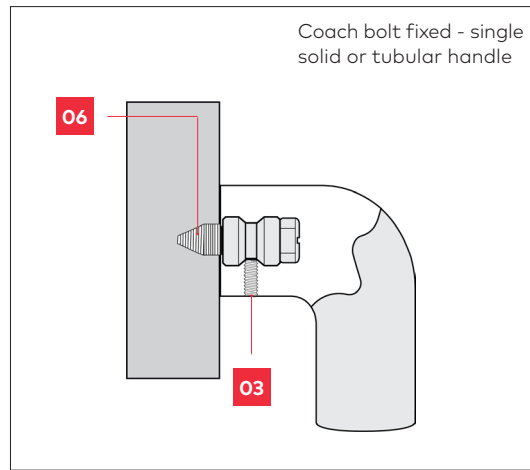
GD FIX - glass doors



TM FIX - timber or metal doors



D FIX - glass, metal or timber doors



C FIX - timber doors only

Note
Nylon spacers and washers are included with handle for glass door fixing option.

Legend
01 Spacer **03** Grub Screw **05** Disc
02 Washer **04** Bolt **06** Coach Bolt

TIMBER DOOR FIXING

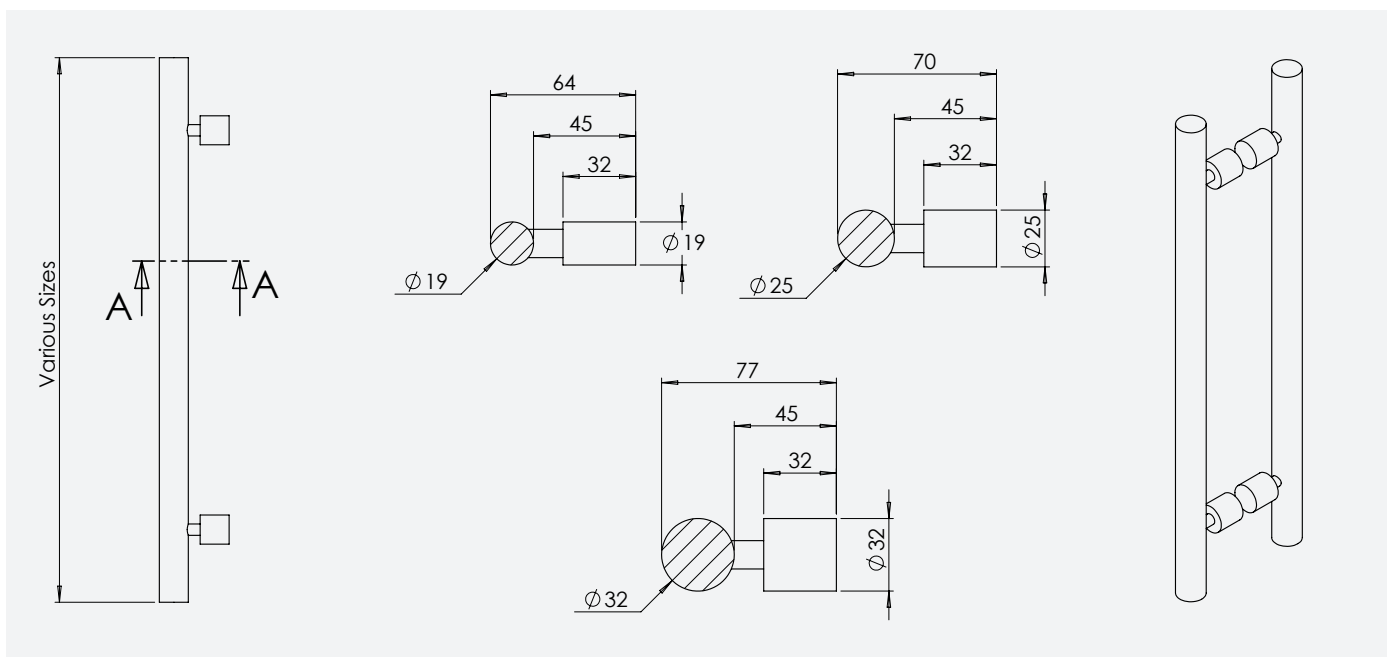
Material Size	Bolt Size
14mm Ø	5mm
16mm Ø	5mm
19mm Ø	8mm
25mm Ø	8mm
32mm Ø	8mm

METAL DOOR FIXING

Material Size	Bolt Size
14mm Ø	5mm
16mm Ø	5mm
19mm Ø	8mm
25mm Ø	8mm
32mm Ø	8mm

GLASS DOOR FIXING

Material Size	Bolt Size
14mm Ø	12mm Ø
16mm Ø	12mm Ø
19mm Ø	12mm Ø
25mm Ø	12mm Ø
32mm Ø	12mm Ø



Ordering details

Item	Article Number	Description	Diameter	Projection	Length	Fixing Centres
BACK TO BACK FIXING						
		Note: 6400 Series in 19mm & 25mm diameter requires a centre standoff for lengths 1900mm and over				
B6400/A/19/PSS	9457409743102	B6400/A/19 OA 2400 CTC 2240 PSS	19mm	64mm	2400mm	2240mm
B6400/A/19/SSS	9457409743101	B6400/A/19 OA 2400 CTC 2240 SSS	19mm	64mm	2400mm	2240mm
B6400/A/25/PSS	9457409744102	B6400/A/25 OA 2400 CTC 2240 PSS	25mm	70mm	2400mm	2240mm
B6400/A/25/SSS	9457409744101	B6400/A/25 OA 2400 CTC 2240 SSS	25mm	70mm	2400mm	2240mm
B6400/A/32/PSS	9457409745102	B6400/A/32 OA 2400 CTC 2240 PSS	32mm	77mm	2400mm	2240mm
B6400/A/32/SSS	9457409745101	B6400/A/32 OA 2400 CTC 2240 SSS	32mm	77mm	2400mm	2240mm
B6400/B/19/PSS	9457409623102	B6400/B/19 OA 2300 CTC 2140 PSS	19mm	64mm	2300mm	2140mm
B6400/B/19/SSS	9457409623101	B6400/B/19 OA 2300 CTC 2140 SSS	19mm	64mm	2300mm	2140mm
B6400/B/25/PSS	9457409624102	B6400/B/25 OA 2300 CTC 2140 PSS	25mm	70mm	2300mm	2140mm
B6400/B/25/SSS	9457409624101	B6400/B/25 OA 2300 CTC 2140 SSS	25mm	70mm	2300mm	2140mm
B6400/B/32/PSS	9457409625102	B6400/B/32 OA 2300 CTC 2140 PSS	32mm	77mm	2300mm	2140mm
B6400/B/32/SSS	9457409625101	B6400/B/32 OA 2300 CTC 2140 SSS	32mm	77mm	2300mm	2140mm
B6400/C/19/PSS	9457409503102	B6400/C/19 OA 2200 CTC 2040 PSS	19mm	64mm	2200mm	2040mm
B6400/C/19/SSS	9457409503101	B6400/C/19 OA 2200 CTC 2040 SSS	19mm	64mm	2200mm	2040mm
B6400/C/25/PSS	9457409504102	B6400/C/25 OA 2200 CTC 2040 PSS	25mm	70mm	2200mm	2040mm
B6400/C/25/SSS	9457409504101	B6400/C/25 OA 2200 CTC 2040 SSS	25mm	70mm	2200mm	2040mm
B6400/C/32/PSS	9457409505102	B6400/C/32 OA 2200 CTC 2040 PSS	32mm	77mm	2200mm	2040mm
B6400/C/32/SSS	9457409505101	B6400/C/32 OA 2200 CTC 2040 SSS	32mm	77mm	2200mm	2040mm
B6400/D/19/PSS	9457409323102	B6400/D/19 OA 2100 CTC 1940 PSS	19mm	64mm	2100mm	1940mm
B6400/D/19/SSS	9457409323101	B6400/D/19 OA 2100 CTC 1940 SSS	19mm	64mm	2100mm	1940mm
B6400/D/25/PSS	9457409324102	B6400/D/25 OA 2100 CTC 1940 PSS	25mm	70mm	2100mm	1940mm
B6400/D/25/SSS	9457409324101	B6400/D/25 OA 2100 CTC 1940 SSS	25mm	70mm	2100mm	1940mm
B6400/D/32/PSS	9457409325102	B6400/D/32 OA 2100 CTC 1940 PSS	32mm	77mm	2100mm	1940mm
B6400/D/32/SSS	9457409325101	B6400/D/32 OA 2100 CTC 1940 SSS	32mm	77mm	2100mm	1940mm
B6400/E/19/PSS	9457409143102	B6400/E/19 OA 2000 CTC 1840 PSS	19mm	64mm	2000mm	1840mm
B6400/E/19/SSS	9457409143101	B6400/E/19 OA 2000 CTC 1840 SSS	19mm	64mm	2000mm	1840mm
B6400/E/25/PSS	9457409144102	B6400/E/25 OA 2000 CTC 1840 PSS	25mm	70mm	2000mm	1840mm
B6400/E/25/SSS	9457409144101	B6400/E/25 OA 2000 CTC 1840 SSS	25mm	70mm	2000mm	1840mm
B6400/E/32/PSS	9457409145102	B6400/E/32 OA 2000 CTC 1840 PSS	32mm	77mm	2000mm	1840mm
B6400/E/32/SSS	9457409145101	B6400/E/32 OA 2000 CTC 1840 SSS	32mm	77mm	2000mm	1840mm
B6400/F/19/PSS	9457408993102	B6400/F/19 OA 1900 CTC 1740 PSS	19mm	64mm	1900mm	1740mm
B6400/F/19/SSS	9457408993101	B6400/F/19 OA 1900 CTC 1740 SSS	19mm	64mm	1900mm	1740mm
B6400/F/25/PSS	9457408994102	B6400/F/25 OA 1900 CTC 1740 PSS	25mm	70mm	1900mm	1740mm
B6400/F/25/SSS	9457408994101	B6400/F/25 OA 1900 CTC 1740 SSS	25mm	70mm	1900mm	1740mm
B6400/F/32/PSS	9457408995102	B6400/F/32 OA 1900 CTC 1740 PSS	32mm	77mm	1900mm	1740mm
B6400/F/32/SSS	9457408995101	B6400/F/32 OA 1900 CTC 1740 SSS	32mm	77mm	1900mm	1740mm
B6400/G/19/PSS	9457408813102	B6400/G/19 OA 1800 CTC 1640 PSS	19mm	64mm	1800mm	1640mm

Ordering details

Item	Article Number	Description	Diameter	Projection	Length	Fixing Centres
B6400/G/19/SSS	9457408813101	B6400/G/19 OA 1800 CTC 1640 SSS	19mm	64mm	1800mm	1640mm
B6400/G/25/PSS	9457408814102	B6400/G/25 OA 1800 CTC 1640 PSS	25mm	70mm	1800mm	1640mm
B6400/G/25/SSS	9457408814101	B6400/G/25 OA 1800 CTC 1640 SSS	25mm	70mm	1800mm	1640mm
B6400/G/32/PSS	9457408815102	B6400/G/32 OA 1800 CTC 1640 PSS	32mm	77mm	1800mm	1640mm
B6400/G/32/SSS	9457408815101	B6400/G/32 OA 1800 CTC 1640 SSS	32mm	77mm	1800mm	1640mm
B6400/H/19/PSS	9457408603102	B6400/H/19 OA 1700 CTC 1540 PSS	19mm	64mm	1700mm	1540mm
B6400/H/19/SSS	9457408603101	B6400/H/19 OA 1700 CTC 1540 SSS	19mm	64mm	1700mm	1540mm
B6400/H/25/PSS	9457408604102	B6400/H/25 OA 1700 CTC 1540 PSS	25mm	70mm	1700mm	1540mm
B6400/H/25/SSS	9457408604101	B6400/H/25 OA 1700 CTC 1540 SSS	25mm	70mm	1700mm	1540mm
B6400/H/32/PSS	9457408605102	B6400/H/32 OA 1700 CTC 1540 PSS	32mm	77mm	1700mm	1540mm
B6400/H/32/SSS	9457408605101	B6400/H/32 OA 1700 CTC 1540 SSS	32mm	77mm	1700mm	1540mm
B6400/I/19/PSS	9457408273102	B6400/I/19 OA 1600 CTC 1440 PSS	19mm	64mm	1600mm	1440mm
B6400/I/19/SSS	9457408273101	B6400/I/19 OA 1600 CTC 1440 SSS	19mm	64mm	1600mm	1440mm
B6400/I/25/PSS	9457408274102	B6400/I/25 OA 1600 CTC 1440 PSS	25mm	70mm	1600mm	1440mm
B6400/I/25/SSS	9457408274101	B6400/I/25 OA 1600 CTC 1440 SSS	25mm	70mm	1600mm	1440mm
B6400/I/32/PSS	9457408275102	B6400/I/32 OA 1600 CTC 1440 PSS	32mm	77mm	1600mm	1440mm
B6400/I/32/SSS	9457408275101	B6400/I/32 OA 1600 CTC 1440 SSS	32mm	77mm	1600mm	1440mm
B6400/J/19/PSS	9457407943102	B6400/J/19 OA 1500 CTC 1340 PSS	19mm	64mm	1500mm	1340mm
B6400/J/19/SSS	9457407943101	B6400/J/19 OA 1500 CTC 1340 SSS	19mm	64mm	1500mm	1340mm
B6400/J/25/PSS	9457407944102	B6400/J/25 OA 1500 CTC 1340 PSS	25mm	70mm	1500mm	1340mm
B6400/J/25/SSS	9457407944101	B6400/J/25 OA 1500 CTC 1340 SSS	25mm	70mm	1500mm	1340mm
B6400/J/32/PSS	9457407945102	B6400/J/32 OA 1500 CTC 1340 PSS	32mm	77mm	1500mm	1340mm
B6400/J/32/SSS	9457407945101	B6400/J/32 OA 1500 CTC 1340 SSS	32mm	77mm	1500mm	1340mm
B6400/K/19/PSS	9457407613102	B6400/K/19 OA 1400 CTC 1240 PSS	19mm	64mm	1400mm	1240mm
B6400/K/19/SSS	9457407613101	B6400/K/19 OA 1400 CTC 1240 SSS	19mm	64mm	1400mm	1240mm
B6400/K/25/PSS	9457407614102	B6400/K/25 OA 1400 CTC 1240 PSS	25mm	70mm	1400mm	1240mm
B6400/K/25/SSS	9457407614101	B6400/K/25 OA 1400 CTC 1240 SSS	25mm	70mm	1400mm	1240mm
B6400/K/32/PSS	9457407615102	B6400/K/32 OA 1400 CTC 1240 PSS	32mm	77mm	1400mm	1240mm
B6400/K/32/SSS	9457407615101	B6400/K/32 OA 1400 CTC 1240 SSS	32mm	77mm	1400mm	1240mm
B6400/L/19/PSS	9457407223102	B6400/L/19 OA 1300 CTC 1140 PSS	19mm	64mm	1300mm	1140mm
B6400/L/19/SSS	9457407223101	B6400/L/19 OA 1300 CTC 1140 SSS	19mm	64mm	1300mm	1140mm
B6400/L/25/PSS	9457407224102	B6400/L/25 OA 1300 CTC 1140 PSS	25mm	70mm	1300mm	1140mm
B6400/L/25/SSS	9457407224101	B6400/L/25 OA 1300 CTC 1140 SSS	25mm	70mm	1300mm	1140mm
B6400/L/32/PSS	9457407225102	B6400/L/32 OA 1300 CTC 1140 PSS	32mm	77mm	1300mm	1140mm
B6400/L/32/SSS	9457407225101	B6400/L/32 OA 1300 CTC 1140 SSS	32mm	77mm	1300mm	1140mm
B6400/M/19/PSS	9457406893102	B6400/M/19 OA 1200 CTC 1040 PSS	19mm	64mm	1200mm	1040mm
B6400/M/19/SSS	9457406893101	B6400/M/19 OA 1200 CTC 1040 SSS	19mm	64mm	1200mm	1040mm
B6400/M/25/PSS	9457406894102	B6400/M/25 OA 1200 CTC 1040 PSS	25mm	70mm	1200mm	1040mm
B6400/M/25/SSS	9457406894101	B6400/M/25 OA 1200 CTC 1040 SSS	25mm	70mm	1200mm	1040mm
B6400/M/32/PSS	9457406895102	B6400/M/32 OA 1200 CTC 1040 PSS	32mm	77mm	1200mm	1040mm

Ordering details

Item	Article Number	Description	Diameter	Projection	Length	Fixing Centres
B6400/M/32/SSS	9457406895101	B6400/M/32 OA 1200 CTC 1040 SSS	32mm	77mm	1200mm	1040mm
B6400/N/19/PSS	9457406473102	B6400/N/19 OA 1100 CTC 940 PSS	19mm	64mm	1100mm	940mm
B6400/N/19/SSS	9457406473101	B6400/N/19 OA 1100 CTC 940 SSS	19mm	64mm	1100mm	940mm
B6400/N/25/PSS	9457406474102	B6400/N/25 OA 1100 CTC 940 PSS	25mm	70mm	1100mm	940mm
B6400/N/25/SSS	9457406474101	B6400/N/25 OA 1100 CTC 940 SSS	25mm	70mm	1100mm	940mm
B6400/N/32/PSS	9457406475102	B6400/N/32 OA 1100 CTC 940 PSS	32mm	77mm	1100mm	940mm
B6400/N/32/SSS	9457406475101	B6400/N/32 OA 1100 CTC 940 SSS	32mm	77mm	1100mm	940mm
B6400/O/19/PSS	9457406083102	B6400/O/19 OA 1000 CTC 840 PSS	19mm	64mm	1000mm	840mm
B6400/O/19/SSS	9457406083101	B6400/O/19 OA 1000 CTC 840 SSS	19mm	64mm	1000mm	840mm
B6400/O/25/PSS	9457406084102	B6400/O/25 OA 1000 CTC 840 PSS	25mm	70mm	1000mm	840mm
B6400/O/25/SSS	9457406084101	B6400/O/25 OA 1000 CTC 840 SSS	25mm	70mm	1000mm	840mm
B6400/O/32/PSS	9457406085102	B6400/O/32 OA 1000 CTC 840 PSS	32mm	77mm	1000mm	840mm
B6400/O/32/SSS	9457406085101	B6400/O/32 OA 1000 CTC 840 SSS	32mm	77mm	1000mm	840mm
B6400/P/19/PSS	9457405513102	B6400/P/19 OA 900 CTC 740 PSS	19mm	64mm	900mm	740mm
B6400/P/19/SSS	9457405513101	B6400/P/19 OA 900 CTC 740 SSS	19mm	64mm	900mm	740mm
B6400/P/25/PSS	9457405514102	B6400/P/25 OA 900 CTC 740 PSS	25mm	70mm	900mm	740mm
B6400/P/25/SSS	9457405514101	B6400/P/25 OA 900 CTC 740 SSS	25mm	70mm	900mm	740mm
B6400/P/32/PSS	9457405515102	B6400/P/32 OA 900 CTC 740 PSS	32mm	77mm	900mm	740mm
B6400/P/32/SSS	9457405515101	B6400/P/32 OA 900 CTC 740 SSS	32mm	77mm	900mm	740mm
B6400/Q/19/PSS	9457405063102	B6400/Q/19 OA 800 CTC 640 PSS	19mm	64mm	800mm	640mm
B6400/Q/19/SSS	9457405063101	B6400/Q/19 OA 800 CTC 640 SSS	19mm	64mm	800mm	640mm
B6400/Q/25/PSS	9457405064102	B6400/Q/25 OA 800 CTC 640 PSS	25mm	70mm	800mm	640mm
B6400/Q/25/SSS	9457405064101	B6400/Q/25 OA 800 CTC 640 SSS	25mm	70mm	800mm	640mm
B6400/Q/32/PSS	9457405065102	B6400/Q/32 OA 800 CTC 640 PSS	32mm	77mm	800mm	640mm
B6400/Q/32/SSS	9457405065101	B6400/Q/32 OA 800 CTC 640 SSS	32mm	77mm	800mm	640mm
B6400/R/19/PSS	9457404583102	B6400/R/19 OA 700 CTC 540 PSS	19mm	64mm	700mm	540mm
B6400/R/19/SSS	9457404583101	B6400/R/19 OA 700 CTC 540 SSS	19mm	64mm	700mm	540mm
B6400/R/25/PSS	9457404584102	B6400/R/25 OA 700 CTC 540 PSS	25mm	70mm	700mm	540mm
B6400/R/25/SSS	9457404584101	B6400/R/25 OA 700 CTC 540 SSS	25mm	70mm	700mm	540mm
B6400/R/32/PSS	9457404585102	B6400/R/32 OA 700 CTC 540 PSS	32mm	77mm	700mm	540mm
B6400/R/32/SSS	9457404585101	B6400/R/32 OA 700 CTC 540 SSS	32mm	77mm	700mm	540mm
B6400/S/19/PSS	9457403893102	B6400/S/19 OA 600 CTC 440 PSS	19mm	64mm	600mm	440mm
B6400/S/19/SSS	9457403893101	B6400/S/19 OA 600 CTC 440 SSS	19mm	64mm	600mm	440mm
B6400/S/25/PSS	9457403894102	B6400/S/25 OA 600 CTC 440 PSS	25mm	70mm	600mm	440mm
B6400/S/25/SSS	9457403894101	B6400/S/25 OA 600 CTC 440 SSS	25mm	70mm	600mm	440mm
B6400/S/32/PSS	9457403895102	B6400/S/32 OA 600 CTC 440 PSS	32mm	77mm	600mm	440mm
B6400/S/32/SSS	9457403895101	B6400/S/32 OA 600 CTC 440 SSS	32mm	77mm	600mm	440mm
B6400/T/19/PSS	9457403203102	B6400/T/19 OA 500 CTC 340 PSS	19mm	64mm	500mm	340mm
B6400/T/19/SSS	9457403203101	B6400/T/19 OA 500 CTC 340 SSS	19mm	64mm	500mm	340mm

Ordering details

Item	Article Number	Description	Diameter	Projection	Length	Fixing Centres
B6400/T/25/PSS	9457403204102	B6400/T/25 OA 500 CTC 340 PSS	25mm	70mm	500mm	340mm
B6400/T/25/SSS	9457403204101	B6400/T/25 OA 500 CTC 340 SSS	25mm	70mm	500mm	340mm
B6400/T/32/PSS	9457403205102	B6400/T/32 OA 500 CTC 340 PSS	32mm	77mm	500mm	340mm
B6400/T/32/SSS	9457403205101	B6400/T/32 OA 500 CTC 340 SSS	32mm	77mm	500mm	340mm
B6400/U/19/PSS	9457402483102	B6400/U/19 OA 400 CTC 240 PSS	19mm	64mm	400mm	240mm
B6400/U/19/SSS	9457402483101	B6400/U/19 OA 400 CTC 240 SSS	19mm	64mm	400mm	240mm
B6400/U/25/PSS	9457402484102	B6400/U/25 OA 400 CTC 240 PSS	25mm	70mm	400mm	240mm
B6400/U/25/SSS	9457402484101	B6400/U/25 OA 400 CTC 240 SSS	25mm	70mm	400mm	240mm
B6400/U/32/PSS	9457402485102	B6400/U/32 OA 400 CTC 240 PSS	32mm	77mm	400mm	240mm
B6400/U/32/SSS	9457402485101	B6400/U/32 OA 400 CTC 240 SSS	32mm	77mm	400mm	240mm

ACCESSORIES - EXTENDED FIXINGS - sold as a pair

TM/M8/50	9459508058200	M8/50 FERULE HEAD BOLT TM FIX	<p>Note: When ordering extended fixings please use the below formula.</p> <p>Door thickness + 20mm for the Ferule + 10mm in to the other handle = round up to the nearest size offered.</p>
TM/M8/75	9459758078200	M8/75 FERULE HEAD BOLT TM FIX	
TM/M8/90	9400000012887	M8/90 BOLT & 16MM FERULE TM FIX	
TM/M8/100	9400000012888	M8/100 BOLT & 16MM FERULE TM FIX	
TM/M8/110	9459118118200	M8/110 BOLT & 16MM FERULE TM FIX	
TM/M8/120	9459128128200	M8/120 BOLT & 16MM FERULE TM FIX	
TM/M8/130	9459138138200	M8/130 BOLT & 16MM FERULE TM FIX	
TM/M8/150	9459158158200	M8/150 BOLT & 16MM FERULE TM FIX	

ACCESSORIES - GLASS FIXINGS - sold as a pair

GF19/M8/50 RND	9459501988301	19 DIA RND GLASS FIXING PAIRS
GF25/M8/50 RND	9459502588301	25 DIA RND GLASS FIXING PAIRS
GF32/M8/50 RND	9459503288301	32 DIA RND GLASS FIXING PAIRS

CONCEALED FIXING

			Note: 6400 Series in 19mm & 25mm diameter requires a centre standoff for lengths 1900mm and over			
C6400/A/19/PSS	9457409743202	C6400/A/19 OA 2400 CTC 2240 PSS	19mm	64mm	2400mm	2240mm
C6400/A/19/SSS	9457409743201	C6400/A/19 OA 2400 CTC 2240 SSS	19mm	64mm	2400mm	2240mm
C6400/A/25/PSS	9457409744202	C6400/A/25 OA 2400 CTC 2240 PSS	25mm	70mm	2400mm	2240mm
C6400/A/25/SSS	9457409744201	C6400/A/25 OA 2400 CTC 2240 SSS	25mm	70mm	2400mm	2240mm
C6400/A/32/PSS	9457409745202	C6400/A/32 OA 2400 CTC 2240 PSS	32mm	77mm	2400mm	2240mm
C6400/A/32/SSS	9457409745201	C6400/A/32 OA 2400 CTC 2240 SSS	32mm	77mm	2400mm	2240mm
C6400/B/19/PSS	9457409623202	C6400/B/19 OA 2300 CTC 2140 PSS	19mm	64mm	2300mm	2140mm
C6400/B/19/SSS	9457409623201	C6400/B/19 OA 2300 CTC 2140 SSS	19mm	64mm	2300mm	2140mm
C6400/B/25/PSS	9457409624202	C6400/B/25 OA 2300 CTC 2140 PSS	25mm	70mm	2300mm	2140mm
C6400/B/25/SSS	9457409624201	C6400/B/25 OA 2300 CTC 2140 SSS	25mm	70mm	2300mm	2140mm
C6400/B/32/PSS	9457409625202	C6400/B/32 OA 2300 CTC 2140 PSS	32mm	77mm	2300mm	2140mm
C6400/B/32/SSS	9457409625201	C6400/B/32 OA 2300 CTC 2140 SSS	32mm	77mm	2300mm	2140mm
C6400/C/19/PSS	9457409503202	C6400/C/19 OA 2200 CTC 2040 PSS	19mm	64mm	2200mm	2040mm
C6400/C/19/SSS	9457409503201	C6400/C/19 OA 2200 CTC 2040 SSS	19mm	64mm	2200mm	2040mm

Ordering details

Item	Article Number	Description	Diameter	Projection	Length	Fixing Centres
C6400/C/25/PSS	9457409504202	C6400/C/25 OA 2200 CTC 2040 PSS	25mm	70mm	2200mm	2040mm
C6400/C/25/SSS	9457409504201	C6400/C/25 OA 2200 CTC 2040 SSS	25mm	70mm	2200mm	2040mm
C6400/C/32/PSS	9457409505202	C6400/C/32 OA 2200 CTC 2040 PSS	32mm	77mm	2200mm	2040mm
C6400/C/32/SSS	9457409505201	C6400/C/32 OA 2200 CTC 2040 SSS	32mm	77mm	2200mm	2040mm
C6400/D/19/PSS	9457409323202	C6400/D/19 OA 2100 CTC 1940 PSS	19mm	64mm	2100mm	1940mm
C6400/D/19/SSS	9457409323201	C6400/D/19 OA 2100 CTC 1940 SSS	19mm	64mm	2100mm	1940mm
C6400/D/25/PSS	9457409324202	C6400/D/25 OA 2100 CTC 1940 PSS	25mm	70mm	2100mm	1940mm
C6400/D/25/SSS	9457409324201	C6400/D/25 OA 2100 CTC 1940 SSS	25mm	70mm	2100mm	1940mm
C6400/D/32/PSS	9457409325202	C6400/D/32 OA 2100 CTC 1940 PSS	32mm	77mm	2100mm	1940mm
C6400/D/32/SSS	9457409325201	C6400/D/32 OA 2100 CTC 1940 SSS	32mm	77mm	2100mm	1940mm
C6400/E/19/PSS	9457409143202	C6400/E/19 OA 2000 CTC 1840 PSS	19mm	64mm	2000mm	1840mm
C6400/E/19/SSS	9457409143201	C6400/E/19 OA 2000 CTC 1840 SSS	19mm	64mm	2000mm	1840mm
C6400/E/25/PSS	9457409144202	C6400/E/25 OA 2000 CTC 1840 PSS	25mm	70mm	2000mm	1840mm
C6400/E/25/SSS	9457409144201	C6400/E/25 OA 2000 CTC 1840 SSS	25mm	70mm	2000mm	1840mm
C6400/E/32/PSS	9457409145202	C6400/E/32 OA 2000 CTC 1840 PSS	32mm	77mm	2000mm	1840mm
C6400/E/32/SSS	9457409145201	C6400/E/32 OA 2000 CTC 1840 SSS	32mm	77mm	2000mm	1840mm
C6400/F/19/PSS	9457408993202	C6400/F/19 OA 1900 CTC 1740 PSS	19mm	64mm	1900mm	1740mm
C6400/F/19/SSS	9457408993201	C6400/F/19 OA 1900 CTC 1740 SSS	19mm	64mm	1900mm	1740mm
C6400/F/25/PSS	9457408994202	C6400/F/25 OA 1900 CTC 1740 PSS	25mm	70mm	1900mm	1740mm
C6400/F/25/SSS	9457408994201	C6400/F/25 OA 1900 CTC 1740 SSS	25mm	70mm	1900mm	1740mm
C6400/F/32/PSS	9457408995202	C6400/F/32 OA 1900 CTC 1740 PSS	32mm	77mm	1900mm	1740mm
C6400/F/32/SSS	9457408995201	C6400/F/32 OA 1900 CTC 1740 SSS	32mm	77mm	1900mm	1740mm
C6400/G/19/PSS	9457408813202	C6400/G/19 OA 1800 CTC 1640 PSS	19mm	64mm	1800mm	1640mm
C6400/G/19/SSS	9457408813201	C6400/G/19 OA 1800 CTC 1640 SSS	19mm	64mm	1800mm	1640mm
C6400/G/25/PSS	9457408814202	C6400/G/25 OA 1800 CTC 1640 PSS	25mm	70mm	1800mm	1640mm
C6400/G/25/SSS	9457408814201	C6400/G/25 OA 1800 CTC 1640 SSS	25mm	70mm	1800mm	1640mm
C6400/G/32/PSS	9457408815202	C6400/G/32 OA 1800 CTC 1640 PSS	32mm	77mm	1800mm	1640mm
C6400/G/32/SSS	9457408815201	C6400/G/32 OA 1800 CTC 1640 SSS	32mm	77mm	1800mm	1640mm
C6400/H/19/PSS	9457408603202	C6400/H/19 OA 1700 CTC 1540 PSS	19mm	64mm	1700mm	1540mm
C6400/H/19/SSS	9457408603201	C6400/H/19 OA 1700 CTC 1540 SSS	19mm	64mm	1700mm	1540mm
C6400/H/25/PSS	9457408604202	C6400/H/25 OA 1700 CTC 1540 PSS	25mm	70mm	1700mm	1540mm
C6400/H/25/SSS	9457408604201	C6400/H/25 OA 1700 CTC 1540 SSS	25mm	70mm	1700mm	1540mm
C6400/H/32/PSS	9457408605202	C6400/H/32 OA 1700 CTC 1540 PSS	32mm	77mm	1700mm	1540mm
C6400/H/32/SSS	9457408605201	C6400/H/32 OA 1700 CTC 1540 SSS	32mm	77mm	1700mm	1540mm
C6400/I/19/PSS	9457408273202	C6400/I/19 OA 1600 CTC 1440 PSS	19mm	64mm	1600mm	1440mm
C6400/I/19/SSS	9457408273201	C6400/I/19 OA 1600 CTC 1440 SSS	19mm	64mm	1600mm	1440mm
C6400/I/25/PSS	9457408274202	C6400/I/25 OA 1600 CTC 1440 PSS	25mm	70mm	1600mm	1440mm
C6400/I/25/SSS	9457408274201	C6400/I/25 OA 1600 CTC 1440 SSS	25mm	70mm	1600mm	1440mm
C6400/I/32/PSS	9457408275202	C6400/I/32 OA 1600 CTC 1440 PSS	32mm	77mm	1600mm	1440mm
C6400/I/32/SSS	9457408275201	C6400/I/32 OA 1600 CTC 1440 SSS	32mm	77mm	1600mm	1440mm

Ordering details

Item	Article Number	Description	Diameter	Projection	Length	Fixing Centres
C6400/J/19/PSS	9457407943202	C6400/J/19 OA 1500 CTC 1340 PSS	19mm	64mm	1500mm	1340mm
C6400/J/19/SSS	9457407943201	C6400/J/19 OA 1500 CTC 1340 SSS	19mm	64mm	1500mm	1340mm
C6400/J/25/PSS	9457407944202	C6400/J/25 OA 1500 CTC 1340 PSS	25mm	70mm	1500mm	1340mm
C6400/J/25/SSS	9457407944201	C6400/J/25 OA 1500 CTC 1340 SSS	25mm	70mm	1500mm	1340mm
C6400/J/32/PSS	9457407945202	C6400/J/32 OA 1500 CTC 1340 PSS	32mm	77mm	1500mm	1340mm
C6400/J/32/SSS	9457407945201	C6400/J/32 OA 1500 CTC 1340 SSS	32mm	77mm	1500mm	1340mm
C6400/K/19/PSS	9457407613202	C6400/K/19 OA 1400 CTC 1240 PSS	19mm	64mm	1400mm	1240mm
C6400/K/19/SSS	9457407613201	C6400/K/19 OA 1400 CTC 1240 SSS	19mm	64mm	1400mm	1240mm
C6400/K/25/PSS	9457407614202	C6400/K/25 OA 1400 CTC 1240 PSS	25mm	70mm	1400mm	1240mm
C6400/K/25/SSS	9457407614201	C6400/K/25 OA 1400 CTC 1240 SSS	25mm	70mm	1400mm	1240mm
C6400/K/32/PSS	9457407615202	C6400/K/32 OA 1400 CTC 1240 PSS	32mm	77mm	1400mm	1240mm
C6400/K/32/SSS	9457407615201	C6400/K/32 OA 1400 CTC 1240 SSS	32mm	77mm	1400mm	1240mm
C6400/L/19/PSS	9457407223202	C6400/L/19 OA 1300 CTC 1140 PSS	19mm	64mm	1300mm	1140mm
C6400/L/19/SSS	9457407223201	C6400/L/19 OA 1300 CTC 1140 SSS	19mm	64mm	1300mm	1140mm
C6400/L/25/PSS	9457407224202	C6400/L/25 OA 1300 CTC 1140 PSS	25mm	70mm	1300mm	1140mm
C6400/L/25/SSS	9457407224201	C6400/L/25 OA 1300 CTC 1140 SSS	25mm	70mm	1300mm	1140mm
C6400/L/32/PSS	9457407225202	C6400/L/32 OA 1300 CTC 1140 PSS	32mm	77mm	1300mm	1140mm
C6400/L/32/SSS	9457407225201	C6400/L/32 OA 1300 CTC 1140 SSS	32mm	77mm	1300mm	1140mm
C6400/M/19/PSS	9457406893202	C6400/M/19 OA 1200 CTC 1040 PSS	19mm	64mm	1200mm	1040mm
C6400/M/19/SSS	9457406893201	C6400/M/19 OA 1200 CTC 1040 SSS	19mm	64mm	1200mm	1040mm
C6400/M/25/PSS	9457406894202	C6400/M/25 OA 1200 CTC 1040 PSS	25mm	70mm	1200mm	1040mm
C6400/M/25/SSS	9457406894201	C6400/M/25 OA 1200 CTC 1040 SSS	25mm	70mm	1200mm	1040mm
C6400/M/32/PSS	9457406895202	C6400/M/32 OA 1200 CTC 1040 PSS	32mm	77mm	1200mm	1040mm
C6400/M/32/SSS	9457406895201	C6400/M/32 OA 1200 CTC 1040 SSS	32mm	77mm	1200mm	1040mm
C6400/N/19/PSS	9457406473202	C6400/N/19 OA 1100 CTC 940 PSS	19mm	64mm	1100mm	940mm
C6400/N/19/SSS	9457406473201	C6400/N/19 OA 1100 CTC 940 SSS	19mm	64mm	1100mm	940mm
C6400/N/25/PSS	9457406474202	C6400/N/25 OA 1100 CTC 940 PSS	25mm	70mm	1100mm	940mm
C6400/N/25/SSS	9457406474201	C6400/N/25 OA 1100 CTC 940 SSS	25mm	70mm	1100mm	940mm
C6400/N/32/PSS	9457406475202	C6400/N/32 OA 1100 CTC 940 PSS	32mm	77mm	1100mm	940mm
C6400/N/32/SSS	9457406475201	C6400/N/32 OA 1100 CTC 940 SSS	32mm	77mm	1100mm	940mm
C6400/O/19/PSS	9457406083202	C6400/O/19 OA 1000 CTC 840 PSS	19mm	64mm	1000mm	840mm
C6400/O/19/SSS	9457406083201	C6400/O/19 OA 1000 CTC 840 SSS	19mm	64mm	1000mm	840mm
C6400/O/25/PSS	9457406084202	C6400/O/25 OA 1000 CTC 840 PSS	25mm	70mm	1000mm	840mm
C6400/O/25/SSS	9457406084201	C6400/O/25 OA 1000 CTC 840 SSS	25mm	70mm	1000mm	840mm
C6400/O/32/PSS	9457406085202	C6400/O/32 OA 1000 CTC 840 PSS	32mm	77mm	1000mm	840mm
C6400/O/32/SSS	9457406085201	C6400/O/32 OA 1000 CTC 840 SSS	32mm	77mm	1000mm	840mm
C6400/P/19/PSS	9457405513202	C6400/P/19 OA 900 CTC 740 PSS	19mm	64mm	900mm	740mm
C6400/P/19/SSS	9457405513201	C6400/P/19 OA 900 CTC 740 SSS	19mm	64mm	900mm	740mm
C6400/P/25/PSS	9457405514202	C6400/P/25 OA 900 CTC 740 PSS	25mm	70mm	900mm	740mm
C6400/P/25/SSS	9457405514201	C6400/P/25 OA 900 CTC 740 SSS	25mm	70mm	900mm	740mm

Ordering details

Item	Article Number	Description	Diameter	Projection	Length	Fixing Centres
C6400/P/32/PSS	9457405515202	C6400/P/32 OA 900 CTC 740 PSS	32mm	77mm	900mm	740mm
C6400/P/32/SSS	9457405515201	C6400/P/32 OA 900 CTC 740 SSS	32mm	77mm	900mm	740mm
C6400/Q/19/PSS	9457405063202	C6400/Q/19 OA 800 CTC 640 PSS	19mm	64mm	800mm	640mm
C6400/Q/19/SSS	9457405063201	C6400/Q/19 OA 800 CTC 640 SSS	19mm	64mm	800mm	640mm
C6400/Q/25/PSS	9457405064202	C6400/Q/25 OA 800 CTC 640 PSS	25mm	70mm	800mm	640mm
C6400/Q/25/SSS	9457405064201	C6400/Q/25 OA 800 CTC 640 SSS	25mm	70mm	800mm	640mm
C6400/Q/32/PSS	9457405065202	C6400/Q/32 OA 800 CTC 640 PSS	32mm	77mm	800mm	640mm
C6400/Q/32/SSS	9457405065201	C6400/Q/32 OA 800 CTC 640 SSS	32mm	77mm	800mm	640mm
C6400/R/19/PSS	9457404583202	C6400/R/19 OA 700 CTC 540 PSS	19mm	64mm	700mm	540mm
C6400/R/19/SSS	9457404583201	C6400/R/19 OA 700 CTC 540 SSS	19mm	64mm	700mm	540mm
C6400/R/25/PSS	9457404584202	C6400/R/25 OA 700 CTC 540 PSS	25mm	70mm	700mm	540mm
C6400/R/25/SSS	9457404584201	C6400/R/25 OA 700 CTC 540 SSS	25mm	70mm	700mm	540mm
C6400/R/32/PSS	9457404585202	C6400/R/32 OA 700 CTC 540 PSS	32mm	77mm	700mm	540mm
C6400/R/32/SSS	9457404585201	C6400/R/32 OA 700 CTC 540 SSS	32mm	77mm	700mm	540mm
C6400/S/19/PSS	9457403893202	C6400/S/19 OA 600 CTC 440 PSS	19mm	64mm	600mm	440mm
C6400/S/19/SSS	9457403893201	C6400/S/19 OA 600 CTC 440 SSS	19mm	64mm	600mm	440mm
C6400/S/25/PSS	9457403894202	C6400/S/25 OA 600 CTC 440 PSS	25mm	70mm	600mm	440mm
C6400/S/25/SSS	9457403894201	C6400/S/25 OA 600 CTC 440 SSS	25mm	70mm	600mm	440mm
C6400/S/32/PSS	9457403895202	C6400/S/32 OA 600 CTC 440 PSS	32mm	77mm	600mm	440mm
C6400/S/32/SSS	9457403895201	C6400/S/32 OA 600 CTC 440 SSS	32mm	77mm	600mm	440mm
C6400/T/19/PSS	9457403203202	C6400/T/19 OA 500 CTC 340 PSS	19mm	64mm	500mm	340mm
C6400/T/19/SSS	9457403203201	C6400/T/19 OA 500 CTC 340 SSS	19mm	64mm	500mm	340mm
C6400/T/25/PSS	9457403204202	C6400/T/25 OA 500 CTC 340 PSS	25mm	70mm	500mm	340mm
C6400/T/25/SSS	9457403204201	C6400/T/25 OA 500 CTC 340 SSS	25mm	70mm	500mm	340mm
C6400/T/32/PSS	9457403205202	C6400/T/32 OA 500 CTC 340 PSS	32mm	77mm	500mm	340mm
C6400/T/32/SSS	9457403205201	C6400/T/32 OA 500 CTC 340 SSS	32mm	77mm	500mm	340mm
C6400/U/19/PSS	9457402483202	C6400/U/19 OA 400 CTC 240 PSS	19mm	64mm	400mm	240mm
C6400/U/19/SSS	9457402483201	C6400/U/19 OA 400 CTC 240 SSS	19mm	64mm	400mm	240mm
C6400/U/25/PSS	9457402484202	C6400/U/25 OA 400 CTC 240 PSS	25mm	70mm	400mm	240mm
C6400/U/25/SSS	9457402484201	C6400/U/25 OA 400 CTC 240 SSS	25mm	70mm	400mm	240mm
C6400/U/32/PSS	9457402485202	C6400/U/32 OA 400 CTC 240 PSS	32mm	77mm	400mm	240mm
C6400/U/32/SSS	9457402485201	C6400/U/32 OA 400 CTC 240 SSS	32mm	77mm	400mm	240mm

Ordering details

Item	Article Number	Description	Diameter	Projection	Length	Fixing Centres
DISC FIXING						
Note: 6400 Series in 19mm & 25mm diameter requires a centre standoff for lengths 1900mm and over						
D6400/A/19/PSS	9457409743302	D6400/A/19 OA 2400 CTC 2240 PSS	19mm	64mm	2400mm	2240mm
D6400/A/19/SSS	9457409743301	D6400/A/19 OA 2400 CTC 2240 SSS	19mm	64mm	2400mm	2240mm
D6400/A/25/PSS	9457409744302	D6400/A/25 OA 2400 TC 2240 PSS	25mm	70mm	2400mm	2240mm
D6400/A/25/SSS	9457409744301	D6400/A/25 OA 2400 CTC 2240 SSS	25mm	70mm	2400mm	2240mm
D6400/A/32/PSS	9457409745302	D6400/A/32 OA 2400 CTC 2240 PSS	32mm	77mm	2400mm	2240mm
D6400/A/32/SSS	9457409745301	D6400/A/32 OA 2400 CTC 2240 SSS	32mm	77mm	2400mm	2240mm
D6400/B/19/PSS	9457409623302	D6400/B/19 OA 2300 CTC 2140 PSS	19mm	64mm	2300mm	2140mm
D6400/B/19/SSS	9457409623301	D6400/B/19 OA 2300 CTC 2140 SSS	19mm	64mm	2300mm	2140mm
D6400/B/25/PSS	9457409624302	D6400/B/25 OA 2300 CTC 2140 PSS	25mm	70mm	2300mm	2140mm
D6400/B/25/SSS	9457409624301	D6400/B/25 OA 2300 CTC 2140 SSS	25mm	70mm	2300mm	2140mm
D6400/B/32/PSS	9457409625302	D6400/B/32 OA 2300 CTC 2140 PSS	32mm	77mm	2300mm	2140mm
D6400/B/32/SSS	9457409625301	D6400/B/32 OA 2300 CTC 2140 SSS	32mm	77mm	2300mm	2140mm
D6400/C/19/PSS	9457409503302	D6400/C/19 OA 2200 CTC 2040 PSS	19mm	64mm	2200mm	2040mm
D6400/C/19/SSS	9457409503301	D6400/C/19 OA 2200 CTC 2040 SSS	19mm	64mm	2200mm	2040mm
D6400/C/25/PSS	9457409504302	D6400/C/25 OA 2200 CTC 2040 PSS	25mm	70mm	2200mm	2040mm
D6400/C/25/SSS	9457409504301	D6400/C/25 OA 2200 CTC 2040 SSS	25mm	70mm	2200mm	2040mm
D6400/C/32/PSS	9457409505302	D6400/C/32 OA 2200 CTC 2040 PSS	32mm	77mm	2200mm	2040mm
D6400/C/32/SSS	9457409505301	D6400/C/32 OA 2200 CTC 2040 SSS	32mm	77mm	2200mm	2040mm
D6400/D/19/PSS	9457409323302	D6400/D/19 OA 2100 CTC 1940 PSS	19mm	64mm	2100mm	1940mm
D6400/D/19/SSS	9457409323301	D6400/D/19 OA 2100 CTC 1940 SSS	19mm	64mm	2100mm	1940mm
D6400/D/25/PSS	9457409324302	D6400/D/25 OA 2100 CTC 1940 PSS	25mm	70mm	2100mm	1940mm
D6400/D/25/SSS	9457409324301	D6400/D/25 OA 2100 CTC 1940 SSS	25mm	70mm	2100mm	1940mm
D6400/D/32/PSS	9457409325302	D6400/D/32 OA 2100 CTC 1940 PSS	32mm	77mm	2100mm	1940mm
D6400/D/32/SSS	9457409325301	D6400/D/32 OA 2100 CTC 1940 SSS	32mm	77mm	2100mm	1940mm
D6400/E/19/PSS	9457409143302	D6400/E/19 OA 2000 CTC 1840 PSS	19mm	64mm	2000mm	1840mm
D6400/E/19/SSS	9457409143301	D6400/E/19 OA 2000 CTC 1840 SSS	19mm	64mm	2000mm	1840mm
D6400/E/25/PSS	9457409144302	D6400/E/25 OA 2000 CTC 1840 PSS	25mm	70mm	2000mm	1840mm
D6400/E/25/SSS	9457409144301	D6400/E/25 OA 2000 CTC 1840 SSS	25mm	70mm	2000mm	1840mm
D6400/E/32/PSS	9457409145302	D6400/E/32 OA 2000 CTC 1840 PSS	32mm	77mm	2000mm	1840mm
D6400/E/32/SSS	9457409145301	D6400/E/32 OA 2000 CTC 1840 SSS	32mm	77mm	2000mm	1840mm
D6400/F/19/PSS	9457408993302	D6400/F/19 OA 1900 CTC 1740 PSS	19mm	64mm	1900mm	1740mm
D6400/F/19/SSS	9457408993301	D6400/F/19 OA 1900 CTC 1740 SSS	19mm	64mm	1900mm	1740mm
D6400/F/25/PSS	9457408994302	D6400/F/25 OA 1900 CTC 1740 PSS	25mm	70mm	1900mm	1740mm
D6400/F/25/SSS	9457408994301	D6400/F/25 OA 1900 CTC 1740 SSS	25mm	70mm	1900mm	1740mm
D6400/F/32/PSS	9457408995302	D6400/F/32 OA 1900 CTC 1740 PSS	32mm	77mm	1900mm	1740mm
D6400/F/32/SSS	9457408995301	D6400/F/32 OA 1900 CTC 1740 SSS	32mm	77mm	1900mm	1740mm
D6400/G/19/PSS	9457408813302	D6400/G/19 OA 1800 CTC 1640 PSS	19mm	64mm	1800mm	1640mm
D6400/G/19/SSS	9457408813301	D6400/G/19 OA 1800 CTC 1640 SSS	19mm	64mm	1800mm	1640mm

Ordering details

Item	Article Number	Description	Diameter	Projection	Length	Fixing Centres
D6400/G/25/PSS	9457408814302	D6400/G/25 OA 1800 CTC 1640 PSS	25mm	70mm	1800mm	1640mm
D6400/G/25/SSS	9457408814301	D6400/G/25 OA 1800 CTC 1640 SSS	25mm	70mm	1800mm	1640mm
D6400/G/32/PSS	9457408815302	D6400/G/32 OA 1800 CTC 1640 PSS	32mm	77mm	1800mm	1640mm
D6400/G/32/SSS	9457408815301	D6400/G/32 OA 1800 CTC 1640 SSS	32mm	77mm	1800mm	1640mm
D6400/H/19/PSS	9457408603302	D6400/H/19 OA 1700 CTC 1540 PSS	19mm	64mm	1700mm	1540mm
D6400/H/19/SSS	9457408603301	D6400/H/19 OA 1700 CTC 1540 SSS	19mm	64mm	1700mm	1540mm
D6400/H/25/PSS	9457408604302	D6400/H/25 OA 1700 CTC 1540 PSS	25mm	70mm	1700mm	1540mm
D6400/H/25/SSS	9457408604301	D6400/H/25 OA 1700 CTC 1540 SSS	25mm	70mm	1700mm	1540mm
D6400/H/32/PSS	9457408605302	D6400/H/32 OA 1700 CTC 1540 PSS	32mm	77mm	1700mm	1540mm
D6400/H/32/SSS	9457408605301	D6400/H/32 OA 1700 CTC 1540 SSS	32mm	77mm	1700mm	1540mm
D6400/I/19/PSS	9457408273302	D6400/I/19 OA 1600 CTC 1440 PSS	19mm	64mm	1600mm	1440mm
D6400/I/19/SSS	9457408273301	D6400/I/19 OA 1600 CTC 1440 SSS	19mm	64mm	1600mm	1440mm
D6400/I/25/PSS	9457408274302	D6400/I/25 OA 1600 CTC 1440 PSS	25mm	70mm	1600mm	1440mm
D6400/I/25/SSS	9457408274301	D6400/I/25 OA 1600 CTC 1440 SSS	25mm	70mm	1600mm	1440mm
D6400/I/32/PSS	9457408275302	D6400/I/32 OA 1600 CTC 1440 PSS	32mm	77mm	1600mm	1440mm
D6400/I/32/SSS	9457408275301	D6400/I/32 OA 1600 CTC 1440 SSS	32mm	77mm	1600mm	1440mm
D6400/J/19/PSS	9457407943302	D6400/J/19 OA 1500 CTC 1340 PSS	19mm	64mm	1500mm	1340mm
D6400/J/19/SSS	9457407943301	D6400/J/19 OA 1500 CTC 1340 SSS	19mm	64mm	1500mm	1340mm
D6400/J/25/PSS	9457407944302	D6400/J/25 OA 1500 CTC 1340 PSS	25mm	70mm	1500mm	1340mm
D6400/J/25/SSS	9457407944301	D6400/J/25 OA 1500 CTC 1340 SSS	25mm	70mm	1500mm	1340mm
D6400/J/32/PSS	9457407945302	D6400/J/32 OA 1500 CTC 1340 PSS	32mm	77mm	1500mm	1340mm
D6400/J/32/SSS	9457407945301	D6400/J/32 OA 1500 CTC 1340 SSS	32mm	77mm	1500mm	1340mm
D6400/K/19/PSS	9457407613302	D6400/K/19 OA 1400 CTC 1240 PSS	19mm	64mm	1400mm	1240mm
D6400/K/19/SSS	9457407613301	D6400/K/19 OA 1400 CTC 1240 SSS	19mm	64mm	1400mm	1240mm
D6400/K/25/PSS	9457407614302	D6400/K/25 OA 1400 CTC 1240 PSS	25mm	70mm	1400mm	1240mm
D6400/K/25/SSS	9457407614301	D6400/K/25 OA 1400 CTC 1240 SSS	25mm	70mm	1400mm	1240mm
D6400/K/32/PSS	9457407615302	D6400/K/32 OA 1400 CTC 1240 PSS	32mm	77mm	1400mm	1240mm
D6400/K/32/SSS	9457407615301	D6400/K/32 OA 1400 CTC 1240 SSS	32mm	77mm	1400mm	1240mm
D6400/L/19/PSS	9457407223302	D6400/L/19 OA 1300 CTC 1140 PSS	19mm	64mm	1300mm	1140mm
D6400/L/19/SSS	9457407223301	D6400/L/19 OA 1300 CTC 1140 SSS	19mm	64mm	1300mm	1140mm
D6400/L/25/PSS	9457407224302	D6400/L/25 OA 1300 CTC 1140 PSS	25mm	70mm	1300mm	1140mm
D6400/L/25/SSS	9457407224301	D6400/L/25 OA 1300 CTC 1140 SSS	25mm	70mm	1300mm	1140mm
D6400/L/32/PSS	9457407225302	D6400/L/32 OA 1300 CTC 1140 PSS	32mm	77mm	1300mm	1140mm
D6400/L/32/SSS	9457407225301	D6400/L/32 OA 1300 CTC 1140 SSS	32mm	77mm	1300mm	1140mm
D6400/M/19/PSS	9457406893302	D6400/M/19 OA 1200 CTC 1040 PSS	19mm	64mm	1200mm	1040mm
D6400/M/19/SSS	9457406893301	D6400/M/19 OA 1200 CTC 1040 SSS	19mm	64mm	1200mm	1040mm
D6400/M/25/PSS	9457406894302	D6400/M/25 OA 1200 CTC 1040 PSS	25mm	70mm	1200mm	1040mm
D6400/M/25/SSS	9457406894301	D6400/M/25 OA 1200 CTC 1040 SSS	25mm	70mm	1200mm	1040mm
D6400/M/32/PSS	9457406895302	D6400/M/32 OA 1200 CTC 1040 PSS	32mm	77mm	1200mm	1040mm
D6400/M/32/SSS	9457406895301	D6400/M/32 OA 1200 CTC 1040 SSS	32mm	77mm	1200mm	1040mm

Ordering details

Item	Article Number	Description	Diameter	Projection	Length	Fixing Centres
D6400/N/19/PSS	9457406473302	D6400/N/19 OA 1100 CTC 940 PSS	19mm	64mm	1100mm	940mm
D6400/N/19/SSS	9457406473301	D6400/N/19 OA 1100 CTC 940 SSS	19mm	64mm	1100mm	940mm
D6400/N/25/PSS	9457406474302	D6400/N/25 OA 1100 CTC 940 PSS	25mm	70mm	1100mm	940mm
D6400/N/25/SSS	9457406474301	D6400/N/25 OA 1100 CTC 940 SSS	25mm	70mm	1100mm	940mm
D6400/N/32/PSS	9457406475302	D6400/N/32 OA 1100 CTC 940 PSS	32mm	77mm	1100mm	940mm
D6400/N/32/SSS	9457406475301	D6400/N/32 OA 1100 CTC 940 SSS	32mm	77mm	1100mm	940mm
D6400/O/19/PSS	9457406083302	D6400/O/19 OA 1000 CTC 840 PSS	19mm	64mm	1000mm	840mm
D6400/O/19/SSS	9457406083301	D6400/O/19 OA 1000 CTC 840 SSS	19mm	64mm	1000mm	840mm
D6400/O/25/PSS	9457406084302	D6400/O/25 OA 1000 CTC 840 PSS	25mm	70mm	1000mm	840mm
D6400/O/25/SSS	9457406084301	D6400/O/25 OA 1000 CTC 840 SSS	25mm	70mm	1000mm	840mm
D6400/O/32/PSS	9457406085302	D6400/O/32 OA 1000 CTC 840 PSS	32mm	77mm	1000mm	840mm
D6400/O/32/SSS	9457406085301	D6400/O/32 OA 1000 CTC 840 SSS	32mm	77mm	1000mm	840mm
D6400/P/19/PSS	9457405513302	D6400/P/19 OA 900 CTC 740 PSS	19mm	64mm	900mm	740mm
D6400/P/19/SSS	9457405513301	D6400/P/19 OA 900 CTC 740 SSS	19mm	64mm	900mm	740mm
D6400/P/25/PSS	9457405514302	D6400/P/25 OA 900 CTC 740 PSS	25mm	70mm	900mm	740mm
D6400/P/25/SSS	9457405514301	D6400/P/25 OA 900 CTC 740 SSS	25mm	70mm	900mm	740mm
D6400/P/32/PSS	9457405515302	D6400/P/32 OA 900 CTC 740 PSS	32mm	77mm	900mm	740mm
D6400/P/32/SSS	9457405515301	D6400/P/32 OA 900 CTC 740 SSS	32mm	77mm	900mm	740mm
D6400/Q/19/PSS	9457405063302	D6400/Q/19 OA 800 CTC 640 PSS	19mm	64mm	800mm	640mm
D6400/Q/19/SSS	9457405063301	D6400/Q/19 OA 800 CTC 640 SSS	19mm	64mm	800mm	640mm
D6400/Q/25/PSS	9457405064302	D6400/Q/25 OA 800 CTC 640 PSS	25mm	70mm	800mm	640mm
D6400/Q/25/SSS	9457405064301	D6400/Q/25 OA 800 CTC 640 SSS	25mm	70mm	800mm	640mm
D6400/Q/32/PSS	9457405065302	D6400/Q/32 OA 800 CTC 640 PSS	32mm	77mm	800mm	640mm
D6400/Q/32/SSS	9457405065301	D6400/Q/32 OA 800 CTC 640 SSS	32mm	77mm	800mm	640mm
D6400/R/19/PSS	9457404583302	D6400/R/19 OA 700 CTC 540 PSS	19mm	64mm	700mm	540mm
D6400/R/19/SSS	9457404583301	D6400/R/19 OA 700 CTC 540 SSS	19mm	64mm	700mm	540mm
D6400/R/25/PSS	9457404584302	D6400/R/25 OA 700 CTC 540 PSS	25mm	70mm	700mm	540mm
D6400/R/25/SSS	9457404584301	D6400/R/25 OA 700 CTC 540 SSS	25mm	70mm	700mm	540mm
D6400/R/32/PSS	9457404585302	D6400/R/32 OA 700 CTC 540 PSS	32mm	77mm	700mm	540mm
D6400/R/32/SSS	9457404585301	D6400/R/32 OA 700 CTC 540 SSS	32mm	77mm	700mm	540mm
D6400/S/19/PSS	9457403893302	D6400/S/19 OA 600 CTC 440 PSS	19mm	64mm	600mm	440mm
D6400/S/19/SSS	9457403893301	D6400/S/19 OA 600 CTC 440 SSS	19mm	64mm	600mm	440mm
D6400/S/25/PSS	9457403894302	D6400/S/25 OA 600 CTC 440 PSS	25mm	70mm	600mm	440mm
D6400/S/25/SSS	9457403894301	D6400/S/25 OA 600 CTC 440 SSS	25mm	70mm	600mm	440mm
D6400/S/32/PSS	9457403895302	D6400/S/32 OA 600 CTC 440 PSS	32mm	77mm	600mm	440mm
D6400/S/32/SSS	9457403895301	D6400/S/32 OA 600 CTC 440 SSS	32mm	77mm	600mm	440mm
D6400/T/19/PSS	9457403203302	D6400/T/19 OA 500 CTC 340 PSS	19mm	64mm	500mm	340mm
D6400/T/19/SSS	9457403203301	D6400/T/19 OA 500 CTC 340 SSS	19mm	64mm	500mm	340mm
D6400/T/25/PSS	9457403204302	D6400/T/25 OA 500 CTC 340 PSS	25mm	70mm	500mm	340mm
D6400/T/25/SSS	9457403204301	D6400/T/25 OA 500 CTC 340 SSS	25mm	70mm	500mm	340mm

Ordering details

Item	Article Number	Description	Diameter	Projection	Length	Fixing Centres
D6400/T/32/PSS	9457403205302	D6400/T/32 OA 500 CTC 340 PSS	32mm	77mm	500mm	340mm
D6400/T/32/SSS	9457403205301	D6400/T/32 OA 500 CTC 340 SSS	32mm	77mm	500mm	340mm
D6400/U/19/PSS	9457402483302	D6400/U/19 OA 400 CTC 240 PSS	19mm	64mm	400mm	240mm
D6400/U/19/SSS	9457402483301	D6400/U/19 OA 400 CTC 240 SSS	19mm	64mm	400mm	240mm
D6400/U/25/PSS	9457402484302	D6400/U/25 OA 400 CTC 240 PSS	25mm	70mm	400mm	240mm
D6400/U/25/SSS	9457402484301	D6400/U/25 OA 400 CTC 240 SSS	25mm	70mm	400mm	240mm
D6400/U/32/PSS	9457402485302	D6400/U/32 OA 400 CTC 240 PSS	32mm	77mm	400mm	240mm
D6400/U/32/SSS	9457402485301	D6400/U/32 OA 400 CTC 240 SSS	32mm	77mm	400mm	240mm

ACCESSORIES - EXTENDED FIXINGS - sold as a pair

DF19/M8/75 PSS	9459751988102	19MM DISK FIX PAIR M8X75MM PSS
DF19/M8/75 SSS	9459751988101	19MM DISK FIX PAIR M8X75MM SSS
DF25/M8/75 PSS	9459752588102	25MM DISK FIX PAIR M8X75MM PSS
DF25/M8/75 SSS	9400000014108	25MM DISK FIX PAIR M8X75MM SSS
DF32/M8/75 PSS	9459753288102	32MM DISK FIX PAIR M8X75MM PSS
DF32/M8/75 SSS	9400000014109	32MM DISK FIX PAIR M8X75MM SSS

ACCESSORIES - GLASS FIXINGS - sold as a pair

GDF19/M8/50 PSS	9459501988102	19MM GLASS DISK FIX PAIR PSS M8X50MM
GDF19/M8/50 SSS	9459501988101	19MM GLASS DISK FIX PAIR SSS M8X50MM
GDF25/M8/50 PSS	9459502588102	25MM GLASS DISK FIX PSS PAIR M8X50MM
GDF25/M8/50 SSS	9459502588101	25MM GLASS DISK FIX SSS PAIR M8X50MM
GDF32/M8/50 PSS	9459503288102	32MM GLASS DISK FIX PSS PAIR M8X50MM
GDF32/M8/50 SSS	9459503288101	32MM GLASS DISK FIX SSS PAIR M8X50MM