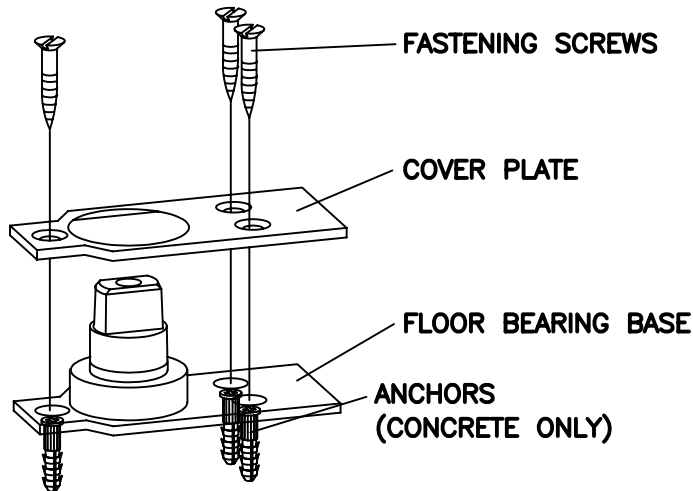


CENTER HUNG FLOOR BEARING



MODEL No.

7471K



FINISH

1) Prepare floor according to template.

For concrete floors use anchors and screws provided.

For wood floors, attach pivot directly with screws provided.

For threshold applications, drill a 1-9/16" diameter clearance hole in the threshold coinciding with the spindle location. Anchor floor bearing first, then the threshold in a usual fashion.

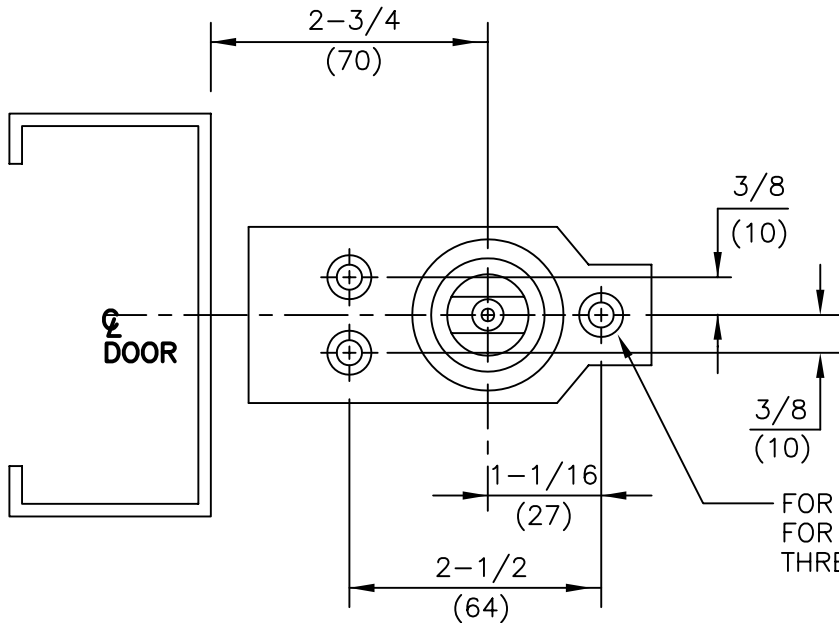
The floor bearing spindle must be in alignment with the top pivot.

The floor bearing base must be level in all directions.

Note:

Place cover plate over floor bearing base prior to anchoring.

No.	REVISIONS	DATE
1	REDRAWN ON C.A.D. – SEE TCN# T-94	3/5/93
2	REVISED FROM 5/16" DRILL TO 1/4" DRILL 1" DEEP	8/2/04

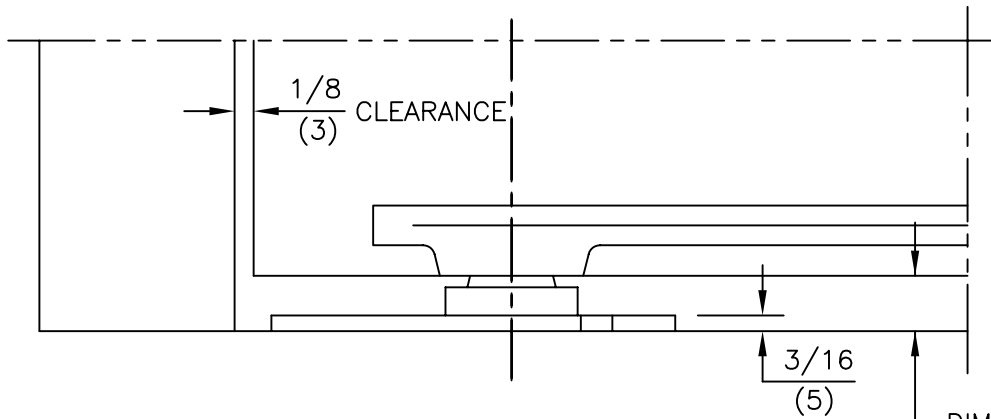


NOTES:

1. DO NOT SCALE DRAWING.
2. DIMENSIONS ARE IN INCHES\MM.
3. DIMENSION "A" IS DISTANCE FROM BOTTOM OF PIVOT TO BOTTOM OF ARM. WHEN BOTTOM ARM IS INSTALLED TO THE STANDARD TEMPLATE, THIS IS ALSO EQUAL TO THE BOTTOM DOOR CLEARANCE.

FOR WOOD FLOORS USE 1/8" DRILL
 FOR CONCRETE FLOORS USE 1/4" DRILL 1" DEEP
 THREE (3) HOLES

②



DIM. "A"
 SEE NOTE #3

SPINDLE SIZE	DIM. "A"
STD.	11/16 (17)
5mm	7/8 (22)
10mm	1-1/16 (27)
15mm	1-1/4 (32)
20mm	1-7/16 (37)
25mm	1-5/8 (42)
30mm	1-7/8 (47)
35mm	2-1/16 (52)
40mm	2-1/4 (57)
45mm	2-7/16 (62)
50mm	2-5/8 (67)

ITEM No.7471K
 CENTER HUNG FLOOR BEARING INSTALLATION
 FOR USE WITH 7421, 7422 BOTTOM ARMS



DORMA Architectural Hardware
 REAMSTOWN, PENNSYLVANIA 17567
 TEMPLATE No. LM-29 ②