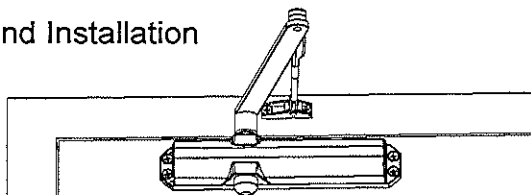


**STA 7414/7436 AR, ARJ, ARP
(Shown without cover options)**

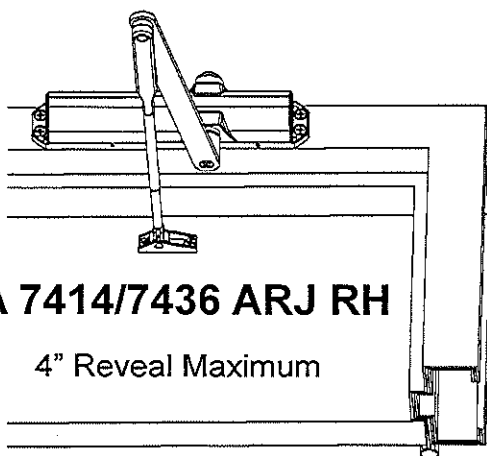
INSTRUCTIONS



Right Hand Installation

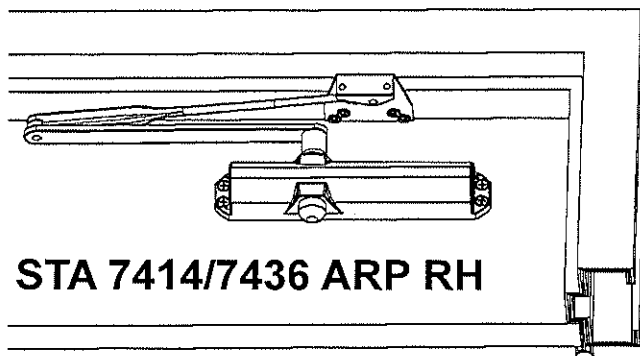


STA 7414/7436 AR RH



STA 7414/7436 ARJ RH

4" Reveal Maximum



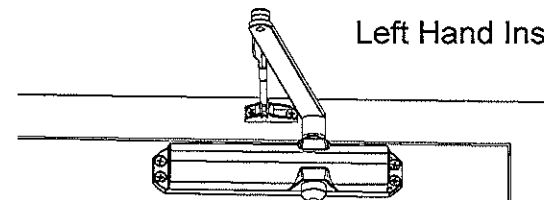
STA 7414/7436 ARP RH

ATTENTION!!!

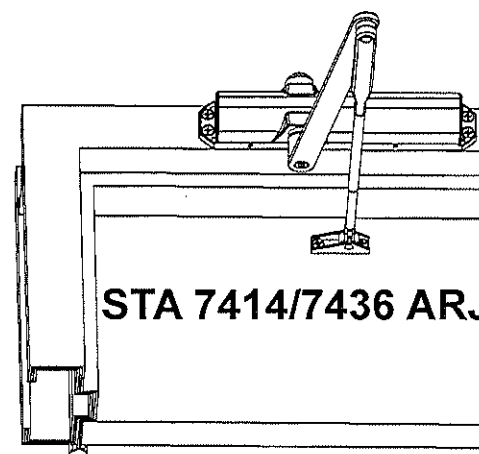
Before you begin, determine installation type AR, ARJ or ARP and hand of door (RH or LH).

Also, make sure you have the tools listed below.

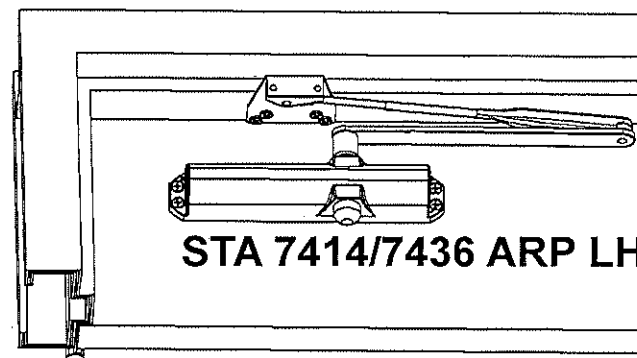
Left Hand Installation



STA 7414/7436 AR LH



STA 7414/7436 ARJ LH



STA 7414/7436 ARP LH

Tool List:

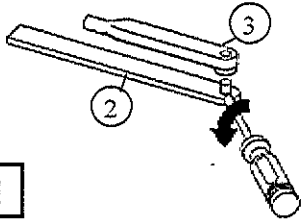
- | | | |
|----------------------------|-----------------------------|--------------------------------------|
| Tape, Tape Measure | #3 Cross-Point Screw Driver | 7/32, 5/32, 1/8 Drill Bits and Drill |
| Center Punch & Hammer | 1/2" Box Wrench | 1/4-20 Tap & Holder |
| 3/16" Slotted Screw Driver | 10" Adjustable Wrench | 5mm Hex Wrench |

STA 7414/7436 AR

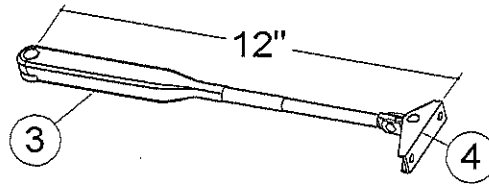
Technical Notes: CAUTION: Sex nuts are required for attachment of components to unreinforced, wood or plastic faced composite type fire doors, unless an alternative method is identified in the individual door manufacturer's listings. Make sure door efficiently operates prior to installing the closer. When installing main arm attachment observe directions closely. Confirm dead stop degree prior to door and frame preparations.



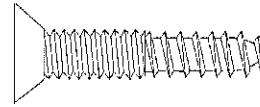
AR - Arm Round (Regular) / Mount Pull Side Door



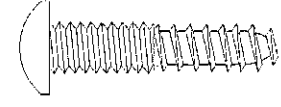
1 Pry apart connecting arm (3) tube from main arm (2).



2 Thread the connecting tube (3) and rod shoe (4) together.



5

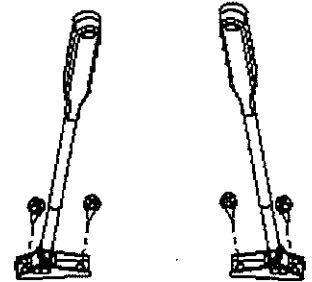


6

Combo Flat Head Screw x4 Pan Head Combo Screw x2

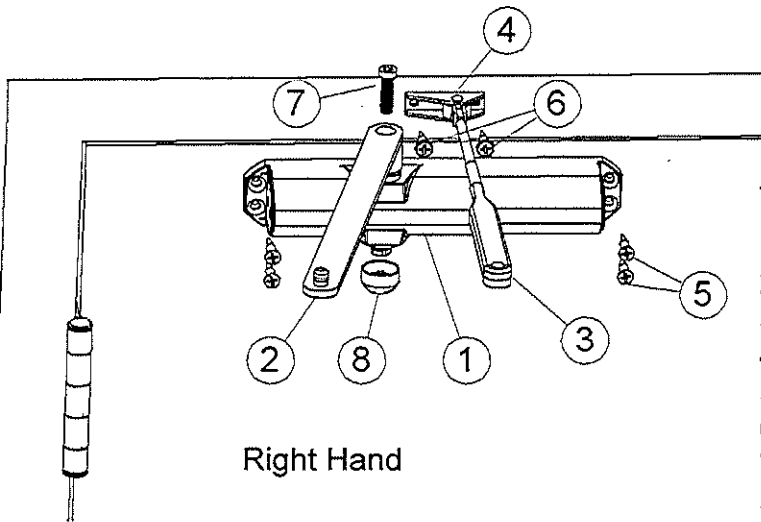
3 Prepare door and frame using the template provide in the back of the instructions. Attach the closer (1) to the door using 4 combo flat head screws (5). Attach connecting arm (4) to the frame with 2 combo pan head screws (6). Attach main arm (2) per hand & secure tightly with socket head screw (7) see 3A.

Standard closing power foot orientation shown above, for 15% more closing power invert shoe 180 degrees



3A

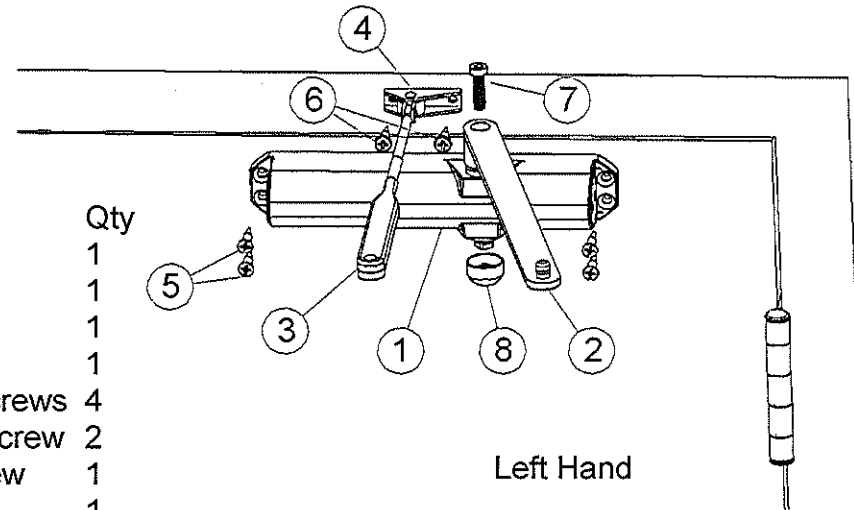
Right Hand Left Hand



Right Hand

Parts List:

No.	Description	Qty
1)	Closer	1
2)	Main Arm	1
3)	Connecting Arm	1
4)	Rod & Shoe	1
5)	Flat Head Combo Screws	4
6)	Pan Head Combo Screw	2
7)	Sock Head Cap Screw	1
8)	Dust Cap	1

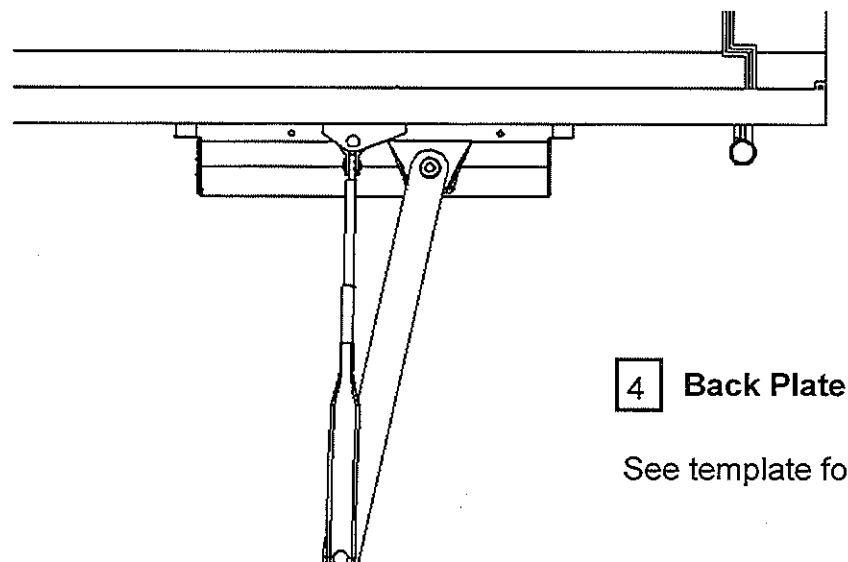
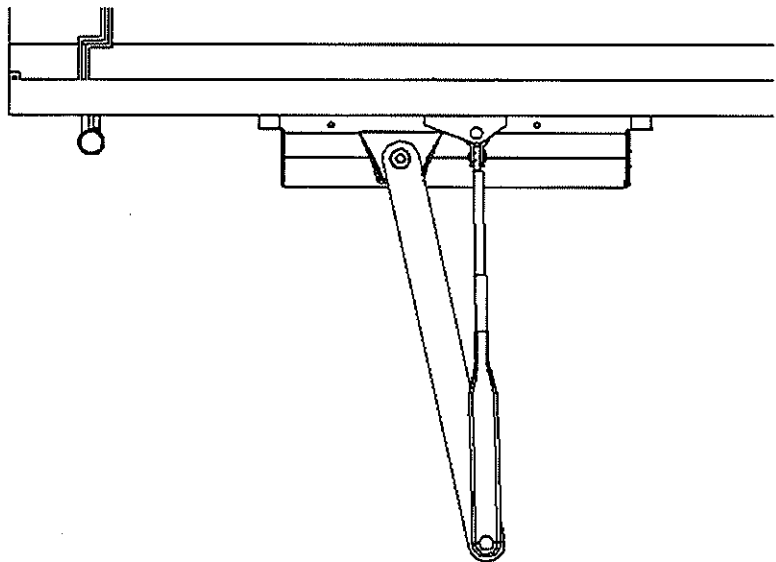
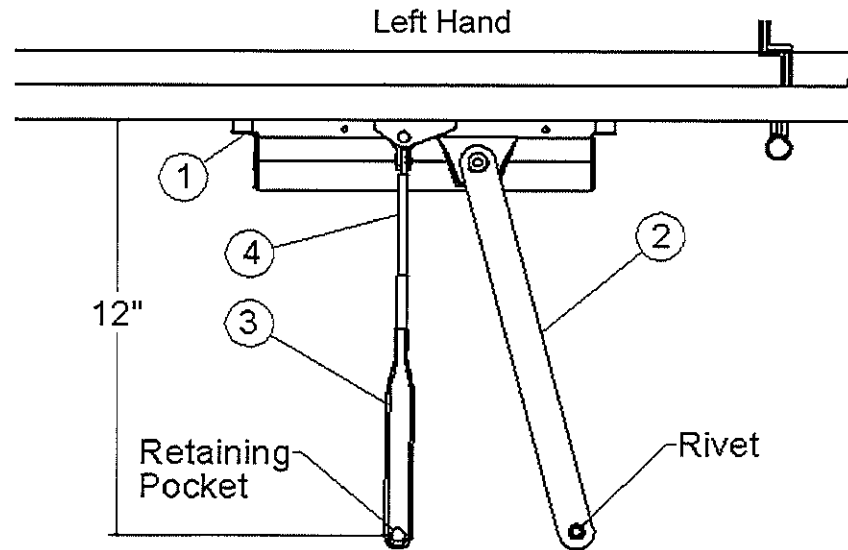
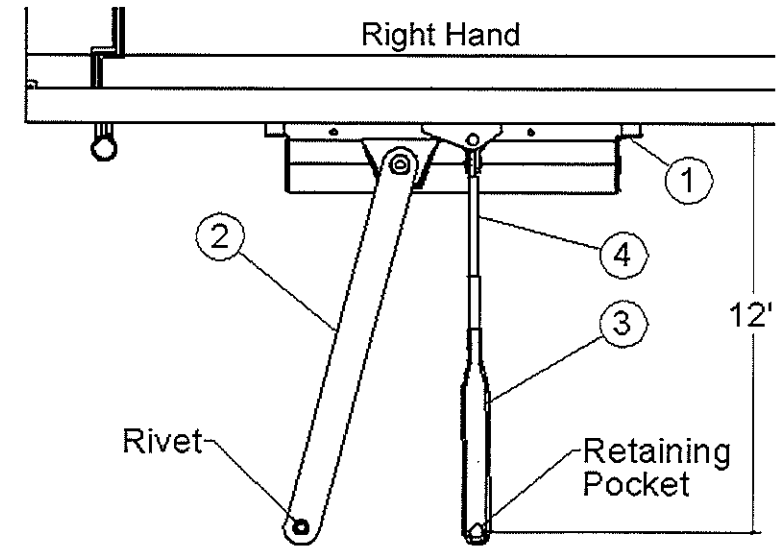


Left Hand

STA 7414/7436 AR con't



3B Preload main arm (2) by rotating approximately 10 degrees and press rivet head into the retaining pocket on the connecting arm (4).



4 Back Plate Mounting

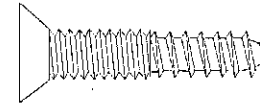
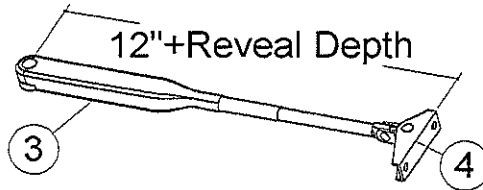
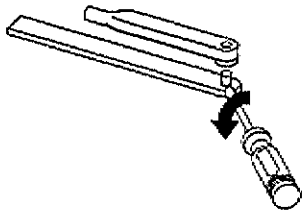
See template for mounting information.

STA 7414/7436 ARJ

Technical Notes: CAUTION: Sex nuts are required for attachment of components to unreinforced, wood or plastic faced composite type fire doors, unless an alternative method is identified in the individual door manufacture's listings. Make sure door efficiently operates prior to installing the closer. When installing main arm attachment observe directions closely. Confirm dead stop degree prior to door and frame preparations.

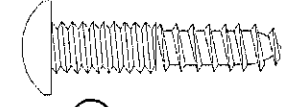


ARJ - Arm Round (Top) Jamb / Mount Push Side of Door



5

Flat Head Combo Screw x4



6

Pan Head Combo Screw x2

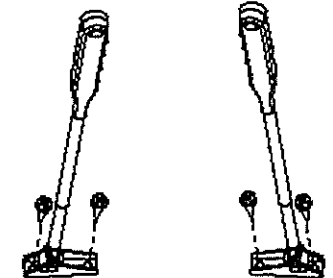
1 Pry apart connecting arm (4) tube from main arm (3).

2 Thread the connecting tube (4) and rod shoe (5) together. Length = 12" plus the reveal depth

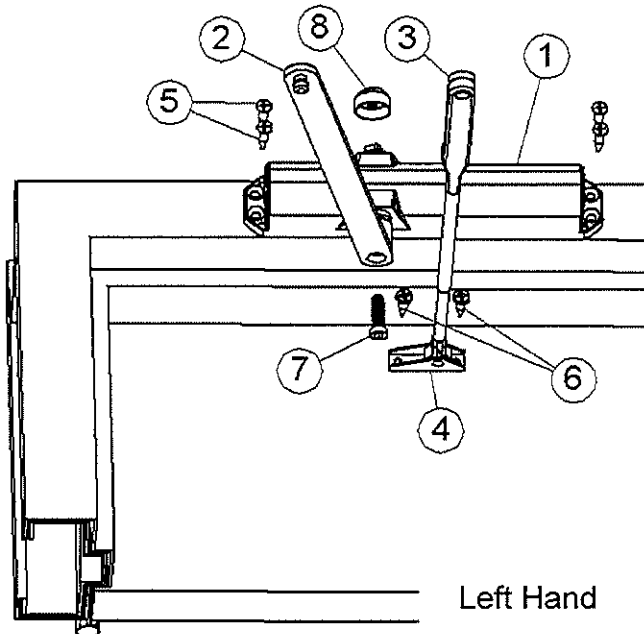
3 Prepare door and frame using the template provide in the back of the instructions. Attach the closer (1) to the frame using 4 combo flat head screws (5). Attach connecting arm (4) to the door with 2 combo pan head screws (6). Attach main arm (2) per hand & secure tightly with socket head screw (7) see 3A.

3A

Standard closing power foot orientation shown above, for 15% more closing power invert shoe 180 degrees



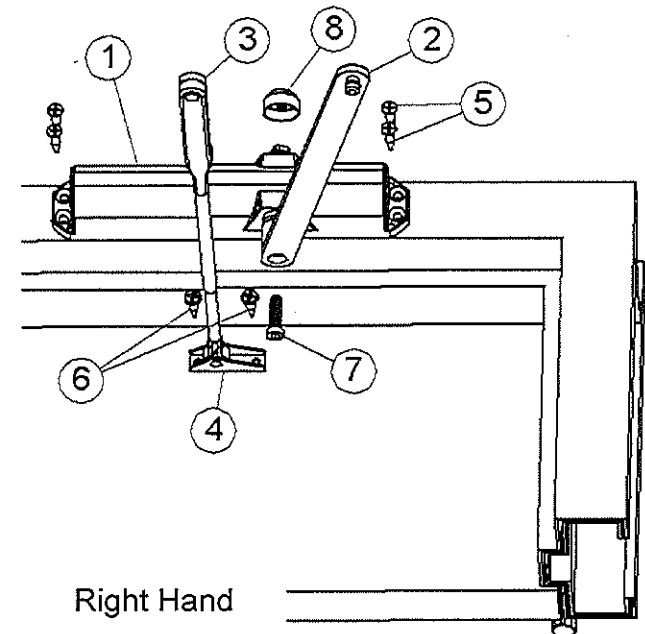
Left Hand Right Hand



Left Hand

Parts List:

No.	Description	Qty
1)	Closer	1
2)	Main Arm	1
3)	Connecting Arm	1
4)	Rod & Shoe	1
5)	Flat Head Combo Screws	4
6)	Pan Head Combo Screw	2
7)	Sock Head Cap Screw	1
8)	Dust Cap	1

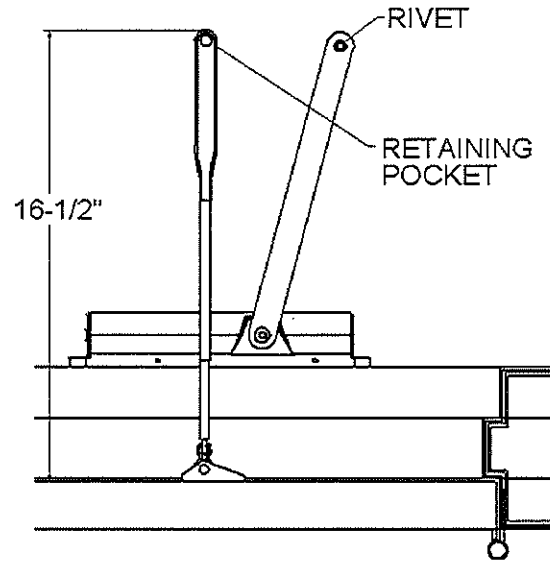
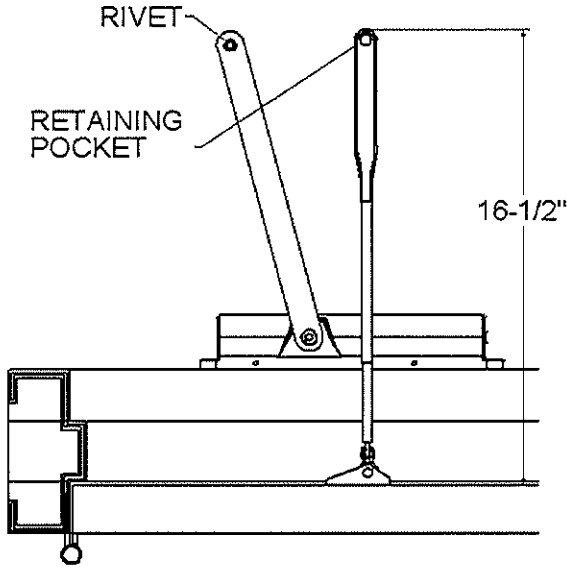


Right Hand

STA 7414/7436 ARJ con't



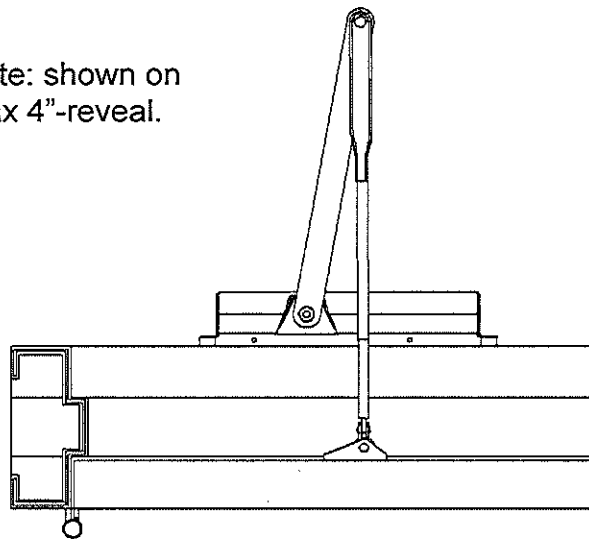
3B Preload main arm (3) by rotating approximately 10 degrees and press rivet head into the retaining pocket on the connecting arm (4).



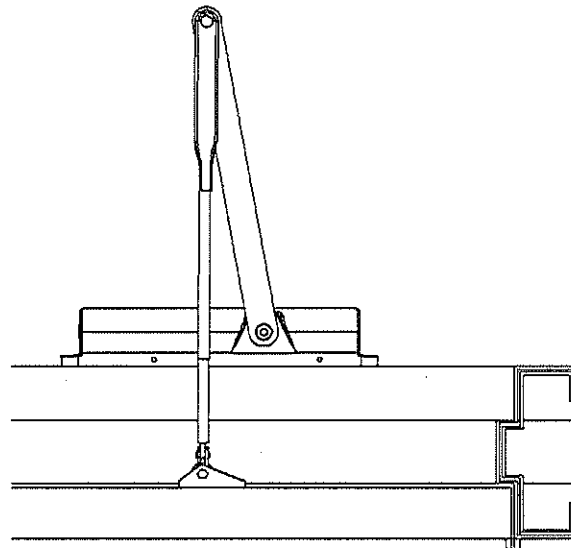
4 Back Plate Mounting

See template for mounting information.

Note: shown on max 4"-reveal.



Left Hand



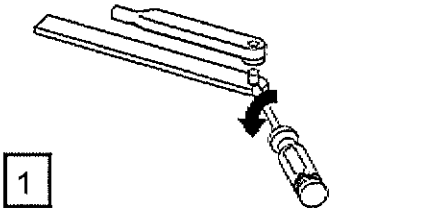
Right Hand

STA 7414/7436 ARP

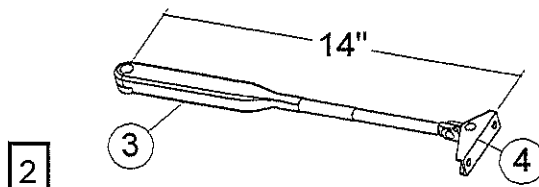
Technical Notes: CAUTION: Sex nuts are required for attachment of components to unreinforced, wood or plastic faced composite type fire doors, unless an alternative method is identified in the individual door manufacturer's listings. Make sure door efficiently operates prior to installing the closer. When installing main arm attachment observe directions closely. Confirm dead stop degree prior to door and frame preparations.



ARP - Arm Round Parallel / Mount Push Side of Door



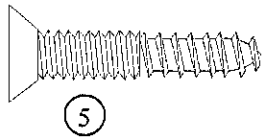
1 Pry apart connecting arm (4) and rod shoe (5) from main arm (3).



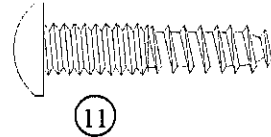
2 Thread the connecting tube (4) and rod shoe (5) together. Length = 12-5/8"

3 Prepare door and frame using the template provide in the back of the instructions.

Attach the closer (1) to the door using 4 combo screws (5). Attach arm bracket (9) to the frame with 4 combo screws (11).

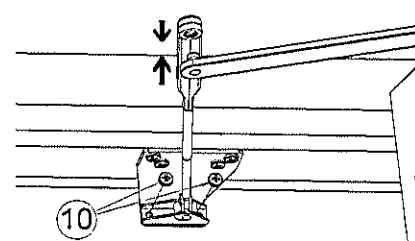
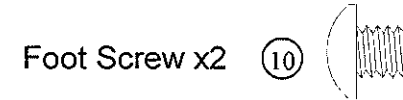


Combo Flat Head Screw x4

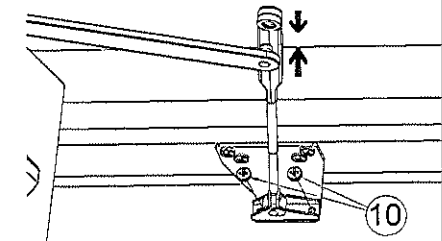


Combo Pan Head Screw x4

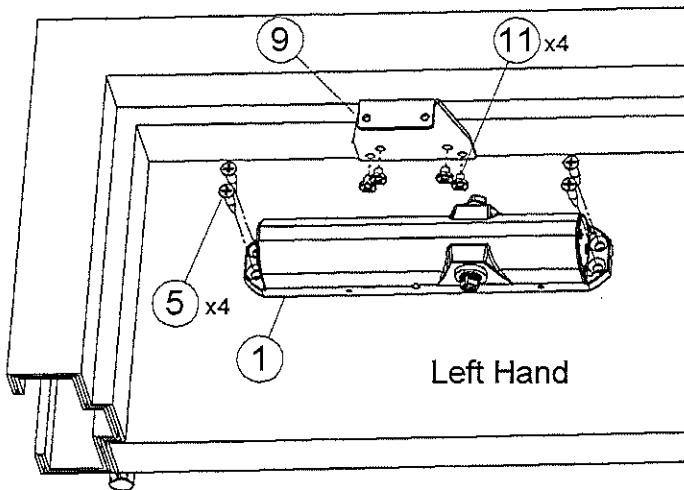
3A Attach the rod & shoe (4) to the arm bracket (9) using 2 foot screws (10).



Left Hand



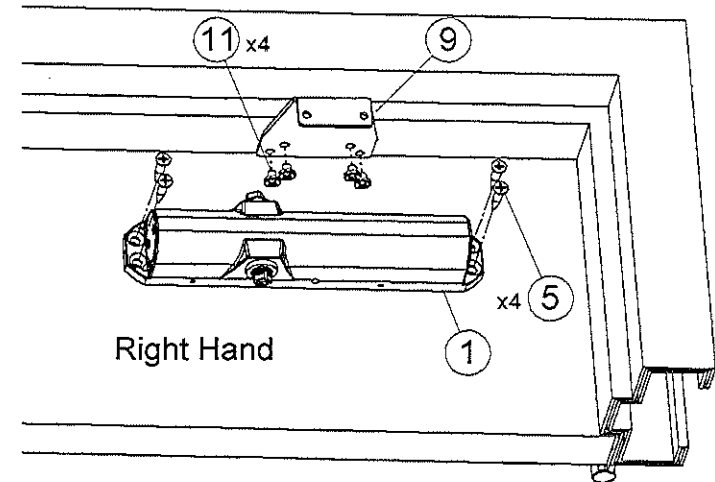
Right Hand



Left Hand

Parts List:

No.	Description	Qty
1)	Closer	1
2)	Main Arm	1
3)	Connecting Arm	1
4)	Rod & Shoe	1
5)	Flat Head Combo Screws	4
6)	Pan Head Combo Screw	2
7)	Socket Head Cap Screw	1
8)	Dust Cap	1
9)	Parallel Arm Bracket	1
10)	Foot Machine Screws	2
11)	Bracket Screws	4



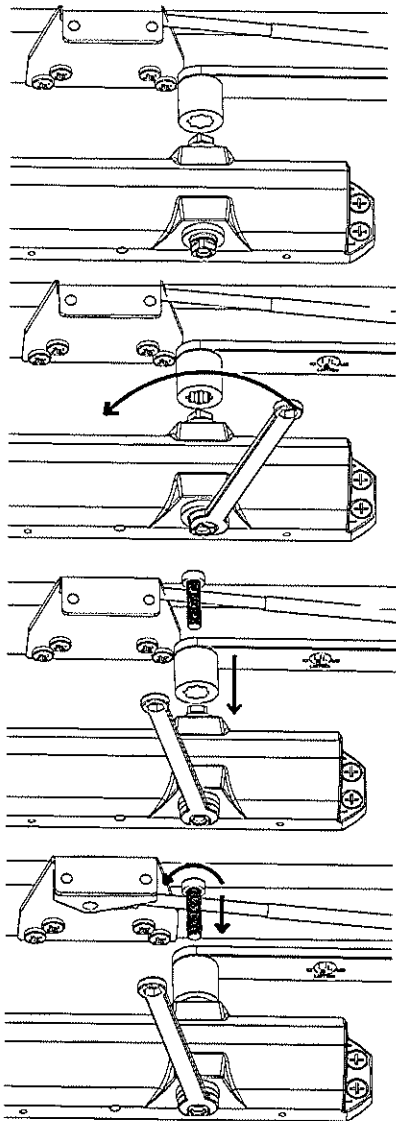
Right Hand

STA 7414/7436 ARP con't



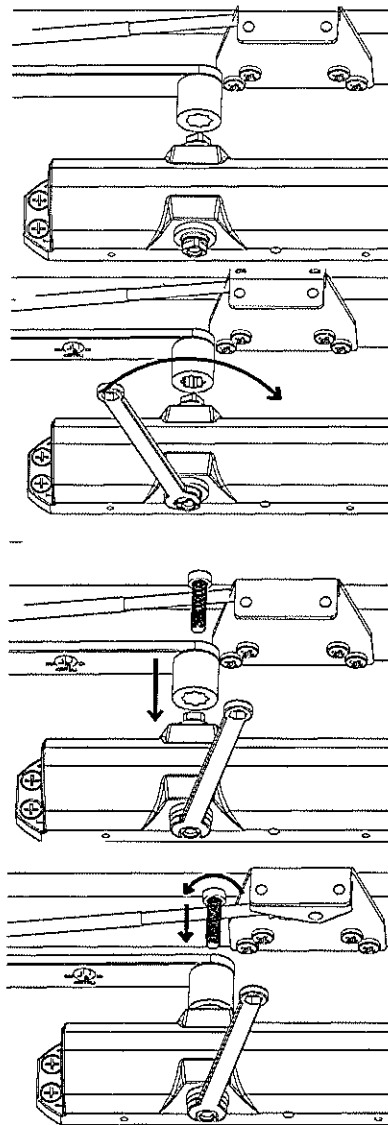
3B ARP - Arm Round Parallel / con't

Left Hand



Preload main arm (2) by rotating closer pinion approximately 45 degrees. Press main arm hub onto the closer pinion square. Secure tightly with pinion screw (7).

Right Hand

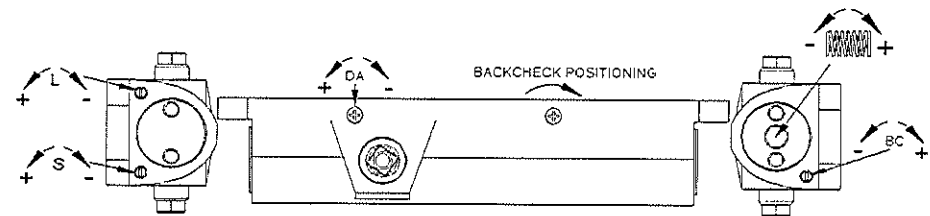


4 Back Plate Mounting

See template for mounting information.

5 Performance Adjustments:

- Be sure closer has appropriate spring power prior to making any closer speed adjustments.
- Door should close in 3 to 6 seconds from 90 degrees
- Do not back valves out beyond closer casting surface.
- Check closing sweep (S) and latch (L) speed; adjust as necessary.
- Backcheck position will advance approximately 15 degrees by placing backcheck "position" valve in the "on" position (fully clockwise).
- Check delay action (D) function if supplied.
- Ball bearing hinges or pivots should always be used.

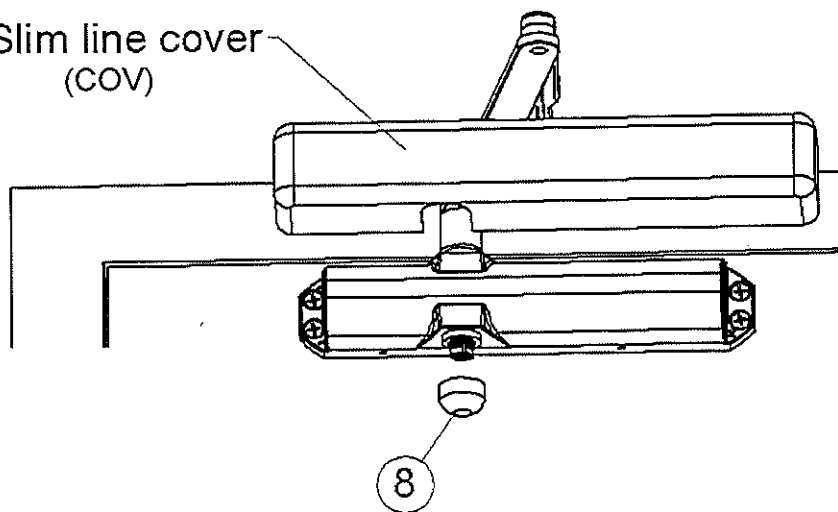


REGULAR & TOP JAMB / AR & ARJ					
Door Width		Adjuster Full Turns		Spring Size	ULC LABELED UNITS ONLY
Exterior	Interior	7414	7436		Max. Door Weight
-	2'-6" (762)	-3	-4	2	100
2'-6" (762)	3'-0" (914)	-4	-4	3	125
3'-0" (914)	3'-6" (1067)	0	0	4	150
3'-6" (1067)	4'-0" (1219)		+4	5	200
4'-0" (1219)	-		+8	6	250
ARP - PARALLEL ARM					
-	2'-6" (762)	-4	-4	3	100
2'-6" (762)	3'-0" (914)	0	0	4	125
3'-0" (914)	3'-6" (1067)		+4	5	150
3'-6" (1067)	4'-0" (1219)		+8	6	200

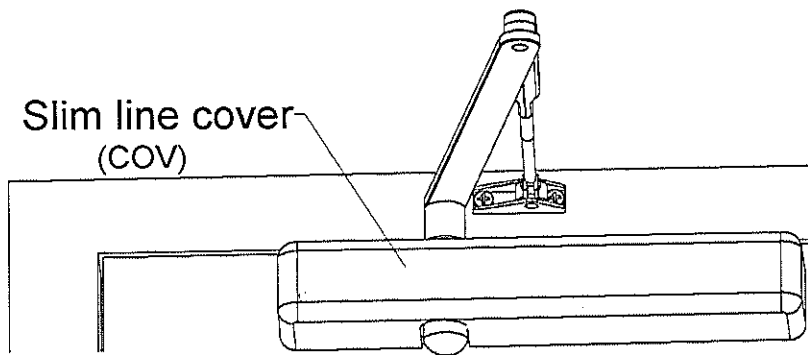
STA 7414/7436 AR, ARJ, ARP
Cover options - COV, FCOV, FMC



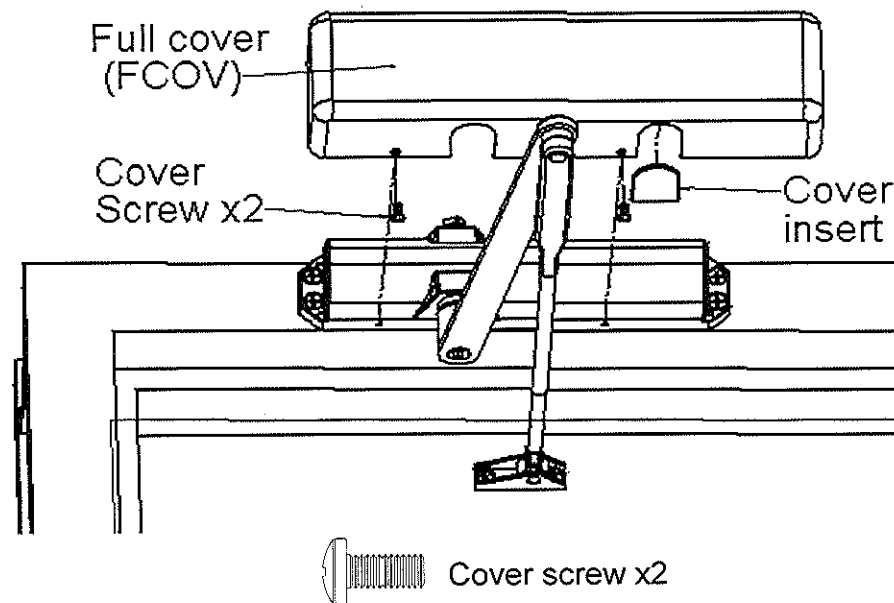
Slim line cover
(COV)



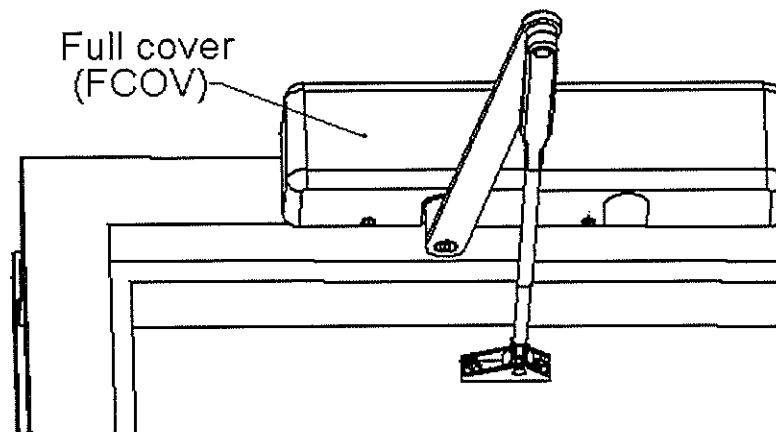
Slim line cover
(COV)



Full cover
(FCOV)



Full cover
(FCOV)



NOTE:
Full metal cover (FMC) attached the same manner as a Full plastic cover (FCOV) with out the cover insert.